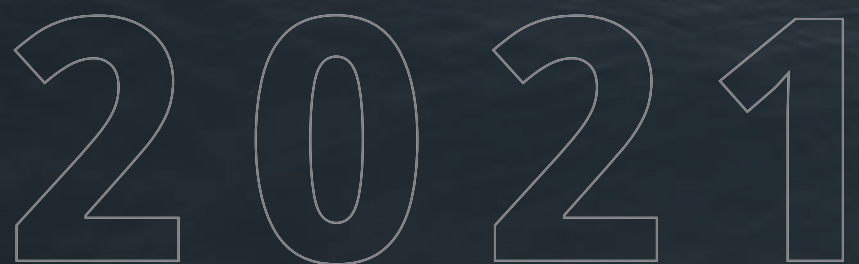


The SIMRAD logo is positioned in the top right corner of the page. It consists of the word "SIMRAD" in a bold, white, sans-serif font, with a registered trademark symbol (®) to its upper right. The text is set against a solid red rectangular background.

SIMRAD®

The text "MARINE ELECTRONICS FOR POWERBOATS AND SPORTFISHING" is centered in the upper half of the page. It is written in a white, all-caps, sans-serif font. The background behind the text is a gradient from a deep red at the top to a dark blue at the bottom, with a faint image of a calm sea surface.

MARINE ELECTRONICS FOR
POWERBOATS AND SPORTFISHING

The year "2021" is located at the bottom of the page. The digits are rendered in a large, white, outlined font. The background is a dark blue gradient with a subtle texture of water ripples.

2021

WE CREATE **HIGH**
PERFORMANCE MARINE
ELECTRONICS THAT
CAN BE COUNTED ON IN
ANY SITUATION.



TABLE OF CONTENTS

02-03.	THE INTEGRATED WORLD OF SIMRAD®
04-05.	GLASS BRIDGE NAVIGATION
06-13.	MULTIFUNCTION DISPLAYS
14-17.	HALO® RADAR
18-19.	RADAR & DEDICATED DISPLAYS
20-23.	AUTOPILOTS & INSTRUMENTS
24-29.	ECHOSOUNDERS
30-31.	MARINE COMMUNICATIONS
32-33.	CHARTS AND MAPPING
34-39.	POWERBOAT, SPORTFISHING & RUNABOUT SYSTEMS
40-41.	INTEGRATED VESSEL
42-43.	CRUISING AND FISHING
44-49.	PART NUMBERS & PRODUCT DIMENSIONS

A woman is shown from the side, sitting at the helm of a boat. She is wearing a light-colored jacket and shorts. The helm station is equipped with several large electronic displays. The leftmost display shows a map with various navigational markers. The middle display shows a speed and RPM gauge. The rightmost display shows a depth sounder. Below the main displays are several smaller touchscreens and physical buttons. The boat's interior is modern and well-lit. A red vertical bar is on the right side of the image, and a white line with a circle at the end is on the right side of the lower half of the image.

THE INTEGRATED WORLD OF SIMRAD®

Kenna Esplin, 25-years, Master Captain
200ton USCG, Florida USA

INTEGRATED ELECTRONICS SYSTEMS

We live in an integrated world. From our homes, to our cars, to our boats, we're surrounded by technology designed to help us achieve more, with greater ease, and in greater safety. Our integrated vessel concept brings all of your on-board technologies together behind a simple, intuitive interface. Monitor and control every aspect of your on-water experience from a variety of customisable Simrad® multifunction displays.



HALO® RADAR

See both near and far with an unprecedented mix of close and long-range detection.



AUTOPILOT

Award-winning, ocean-proven autopilot systems to suit any size and type of vessel.



AIS

Reduce the risk of collision with this "see and be seen" technology.



ON-BOARD INTEGRATION

Monitor and control all key boat processes and systems, such as navigation lights, bilge pumps, engine data (NMEA 2000® compatible for real-time data such as fuel flow, engine temperature, RPM and battery voltage), and other vital on board services.



ECHOSOUNDER MODULES

Innovative sonar technologies designed for every requirement.



SONICHUB®2

Bring your music on board with Bluetooth® streaming, AM/FM radio, and full Simrad Multifunction Display integration.



INSTRUMENTS

Flexible display units for vital data, including depth, boat speed, wind speed and more.



HIGH SPEED GPS

Incredible position accuracy, however fast or slow you go.



DSC-VHF

Versatile and rugged, with everything you need to communicate with other vessels, the shore and even individuals on board.



SMARTPHONE INTEGRATION

Whether you are out on the water for cruising, fishing, diving, water sports or other activities, the Simrad® app is the perfect companion.



WI-FI

View your Multifunction Display with your smartphone, or take control with your tablet, from anywhere on board.



INDUSTRY-WIDE INTEGRATION

Automate your onboard electronics and turn your vessel into a smart boat with integration from key industry partners. Such as Lumishore®, JL Audio®, CZone® and many more. See our full list of partners at www.simrad-yachting.com/command



GLASS BRIDGE NAVIGATION

NSOEVO3S™

Build your ultimate navigation system around the new NSOEvo3S.

Our flagship NSOEVO3S delivers the ultimate view with an ultra-bright display, available in 16, 19, or 24-inch widescreen sizes. Wide viewing angles keep the screen in view from anywhere in sight, while full HD resolution lets you see more than ever with up to six panels displayed simultaneously in a split-screen layout.

The NSOEVO3S also gives you **2x faster page changes and smoother transitions*** delivered through the new iMX 8 high-performance processor.

*When compared to the NSOEvo3.





MAIN FEATURES

iMX 8 Integrated six-core processor for superior performance

Ultra-bright, Full HD 16, 19, or 24-inch display

Easy touchscreen control of your entire Simrad® system

1200-nit high-brightness, sunlight-viewable screen

Low-profile glass bridge styling

See more than ever with six-panel split screen option

Connect with smartphones, tablets, and mobile hotspots

Widescreen Full HD monitor support

Integrates with the full range of Simrad® radar solutions, S5100 sonar module, SonarHub with StructureScan® HD imaging, ForwardScan® sonar, and much more

OP50 keypad & rotary controller option

Compatible with C-MAP® Easy Routing™ and Navionics® Dock-to-dock Autorouting™*

*Subscription maybe required. Please visit navionics.com for details.

16"

19"

24"



**Pinch-to-zoom
with multi touch**

Simrad® NSOevo3S™ is available in 3 sizes: 16-inch, 19-inch, and 24-inch



MULTIFUNCTION DISPLAYS

NSSEVO3S™

With the new iMX8 Processor, the NSSevo3S is ready to take on even the toughest tasks and get everything done faster than ever before.



2X

Faster Chart Rendering

30%

Faster Boot up Time

2X

Faster Page Transitions

Fast switching between any split screen combinations, smoother transitions for on-screen movements like chart rotation and panning/zooming, and faster viewing of high resolution graphics.

PERFORMANCE CHARTING

BETTER FUNCTIONALITY

With page loading times halved, choice of any split screen combination with views in 3D or Navigation perspective has never been easier.



HIGH-DEFINITION DISPLAYS

BETTER IN THE SUN.

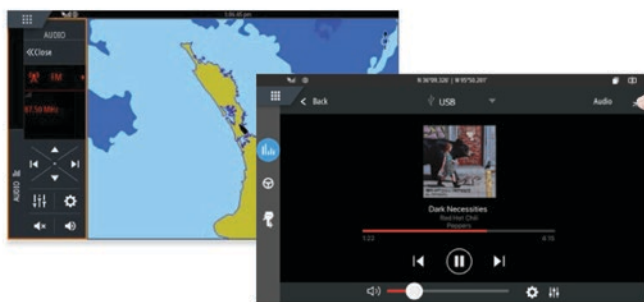
SolarMAX™ IPS displays ensure clear views in any conditions - visible even through polarized sunglasses.



POWERFUL UI

BETTER USER EXPERIENCE

Increased monitoring and control within the existing page - instant chart orientation changes at the touch of a button, expandable audio side bar, and a tide graph in the instrument bar to monitor tide changes.



ALL WEATHER SCREENS

BETTER CONTROL

SolarMAX™ IPS displays combine all-weather touchscreen and keypad for total control in all conditions.

MULTIFUNCTION DISPLAYS

NSSEVO3S™

The new NSSevo3S - delivering unprecedented levels of functionality and on board control for a variety of sportfishing and powerboating activities.



EASY APP INTEGRATION

BETTER INFORMED

The Simrad® App provides accessibility - from device registration and manual downloads, to saving waypoints and favourite fishing spots both on - and off - the water.

ADVANCED IMAGING

BETTER FISHING.

Built-in high performance echosounder with 1kW CHIRP-enabled sonar capable of exceptional bottom-tracking and fish-finding performance. SideScan and DownScan Imaging™ boosted by StructureScan 3D, ActiveImaging™ for picture-like views of fish-holding structure, crystal clear views of the bottom ahead using ForwardScan® sonar, or performance sportfishing with the deep water S5100 Sonar.



- SolarMAX™ IPS display with ultra-wide viewing angles; viewable through Polarized sunglasses.
- Reliable control in all conditions: switch seamlessly between multi-touch and a full keypad with rotary dial.
- Enjoy easier trip planning with TripIntel™ technology and support for Navionics® Dock-to-dock Autorouting™*/C-MAP® Easy Routing™
- Choose flush-mount installation for a low-profile Glass Bridge look, or bracket-mount to install almost anywhere.



Pinch-to-zoom with multi touch

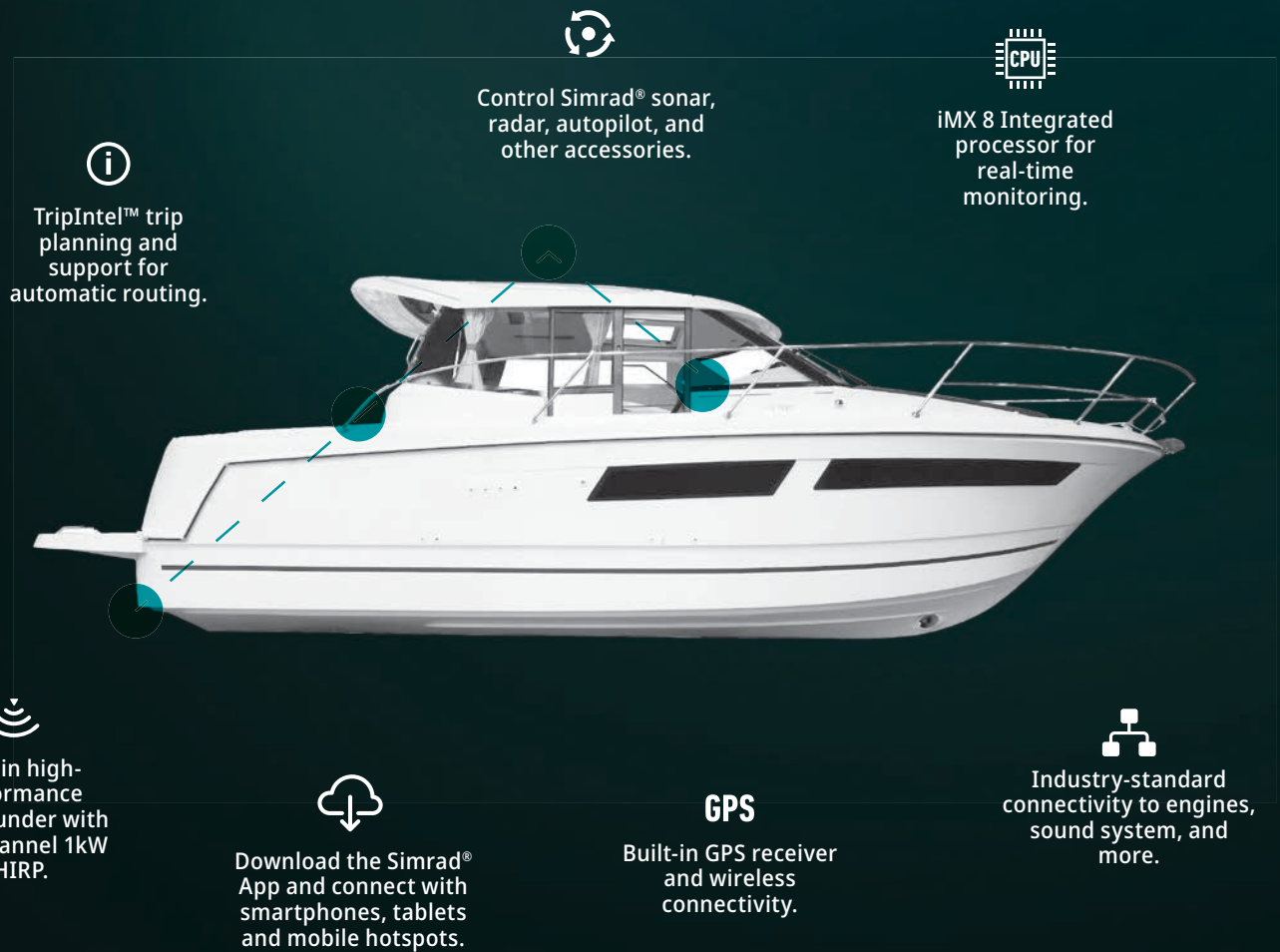


Simrad® NSSevo3S multifunction displays are available in three screen sizes: 9-inch, 12-inch and 16-inch.

FAST & SIMPLE NETWORKING AND CONNECTIVITY

Industry-standard connectivity to create multi-display systems and links to all on-board electronics, engine and fuel monitoring in real-time, control of on-board sound systems and much more.

Includes system expansion with Simrad® modules and accessories, advanced fish-finding tools such as deep water S5100, Active Imaging™ 3-in-1 or TotalScan™, increased situational awareness with legendary Halo® Pulse Compression radar, and automated control with a fully integrated Simrad® autopilot.



MULTIFUNCTION DISPLAYS

GO™ SERIES

The Simrad® Go Series, a perfect fit for compact sportboats and dayboats.

The Simrad® GO chartplotter is a perfect way to expand the capabilities of sportboats, cruisers, and smaller centre consoles. Behind a super-bright display with easy to use touch interface lies a chartplotter with built-in GPS receiver and wireless access to the latest charts and updates.

Control your onboard sound system, and choose from an array of built-in sonar technologies: cruise with confidence using ForwardScan™ forward-looking sonar, or find fish like a pro with Broadband Sounder™, CHIRP sonar plus Active Imaging™ Sonar.



EXPAND YOUR VIEW WITH RADAR

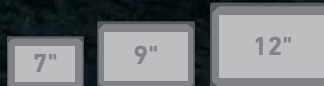
Simrad® GO7, GO9 and GO12 are all full-featured radar displays with plug-and-play connectivity to Simrad® Halo® dome, and Halo® open array radar.

Cruise confidently through crowded harbours, navigate safely in poor visibility, keep an eye on distant weather cells, and find flocks of feeding birds that hint at good fishing spots.

Automatic tuning helps to provide a clear radar picture in any conditions, while radar overlay combines radar data with navigational charts for an easy-to-interpret view of your surroundings.



**Pinch-to-zoom
with multi touch**



Simrad® GO series multifunction displays are available in 3 sizes: 7-inch, 9-inch and 12-inch.



MAIN FEATURES

Easy to use multi-touch interface

Full-featured chartplotter with the widest available cartography support

Plan smarter with TripIntel™ technology

Support for Navionics® Dock-to-dock Autorouting™* and C-MAP® Easy Routing™

Flush or bracket mount display

Widescreen with bright LED backlight

High-speed 10 Hz GPS receiver

Built-in Broadband Sounder™, CHIRP sonar, Active Imaging™ or ForwardScan™ sonar support (transducer required)

Built-in wireless connectivity

NMEA 2000® compatible

Radar display for Simrad® Halo® dome, and Halo® open array radar (Excludes GO5)

Dual microSD card slots (GO9 and GO12 only)

*Subscription might be required. Please visit navionics.com for details.



NAVIGATION DISPLAYS

CRUISE™ RANGE

Simrad® Cruise is the most straight forward chartplotter available.

Everything you need for simple and straightforward **GPS navigation** is right inside the box – sunlight viewable display with mounting bracket and a sonar transducer. Simrad® Cruise can display charts, navigation and sonar in split-screen view, or separately

in full screen. Rotary dial and keypad controls make navigating through menus, creating routes and accessing temperature, speed, depth readings and battery voltage effortless.

MAIN FEATURES

Cruise confidently with simple menus plus easy-to-use rotary dial and keypad controls

Always know where you are and where you are going with pre-loaded worldwide basemap, plus C-MAP® and Navionics® upgrade options

Track the day's boating activity with Simrad® TripIntel™ technology

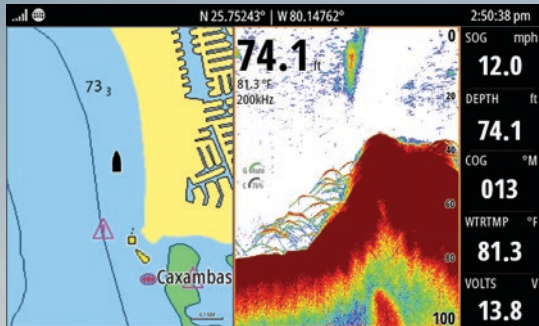
Keep important data in view with pre-selected split screens

CHIRP sonar with excellent automatic depth tracking

Monitor depth readings, position, battery voltage and other critical boat information



Know where you are and where you are going! Simrad® Cruise™ comes complete with all the charts you need to enjoy your day on the water. Choose from a wide range of enhanced charts from C-MAP® or Navionics® to get more detail.



See the details you want the way you want them! Simrad® Cruise offers both **full and split-screen views**, so you can easily display the information you need. Plotting your course? Select full screen charts for a maximum view of your surroundings.

Simrad® Cruise gives you access to the information you need for a safe and enjoyable time on the water. Depth readings, position, battery voltage and other critical boat information, can all be monitored on your screen for quick reference and situational awareness.



HALO® RADAR

HALO® OPEN ARRAY RADAR

The revolutionary Simrad® Halo® radar makes it easier than ever to navigate safely, keep an eye on the weather, and find flocks of birds that mark the best waters to fish.



MAIN FEATURES

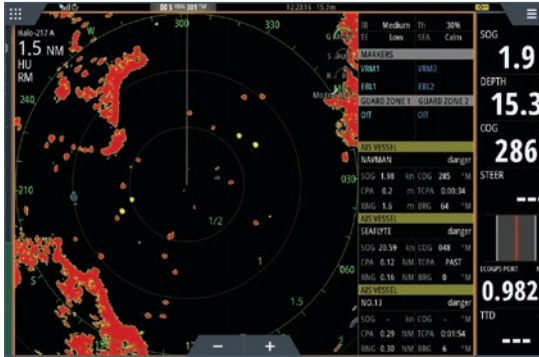
- Up to 72NM working range
- Beam Sharpening with Target Separation Control
- Dual range operation
- Advanced signal processing with Custom, Harbour, Offshore, Weather, and Bird mode
- High-speed 48RPM operation
- InstantOn™, ready in 16-25 seconds from power-on, instant from standby
- MARPA target tracking, up to 10 targets (20 with dual range)
- Low electromagnetic emissions and radiation
- Low power consumption with 12/24V operation
- VelocityTrack™ Doppler - Motion Tracking

HALO® RADAR RANGE INDICATOR

	SHORT 0 — 0.1 KM (0 — 600 ft)	SHORT-MEDIUM 0.1KM — 2 KM (600 ft — 1 NM)	MEDIUM 2-20 KM (1 — 11 NM)	MEDIUM-LONG 20 — 88 KM (11 — 48 NM)	LONG >100 KM (>64 NM)
6kW PULSE	██████████	██████████	██████████	██████████	██████████
HALO® DOME	██████████	██████████	██████████	██████████	██████████
HALO® OPEN ARRAY	██████████	██████████	██████████	██████████	██████████

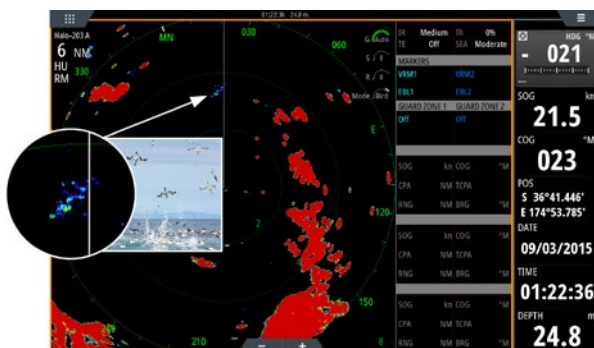
HALO® RADAR

Solid-state Pulse Compression technology lets you see both near and far at the same time, on a single screen, from a single Halo® Radar array.



VelocityTrack™ enables easy identification of approaching obstacles, helping you to avoid dangerous and costly on-water collisions. Targets are highlighted, delivering information about the motion of targets from the very first radar sweep.

See closer than 90 metres (300 feet) on one side of the screen, and as far as **72 nautical miles** on the other. Halo® Radar truly functions as two independent radar systems in one, with no performance compromises at either selected range.



For offshore sportfishing enthusiasts and commercial fishermen, birds mean fish. Halo® Radar's dedicated **Bird mode** makes it easy to locate feeding flocks from miles away, without introducing the distraction of high-gain screen clutter.

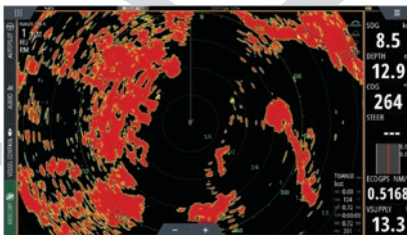
HALO[®] DOME RADAR

HALO[®] 24 RADAR

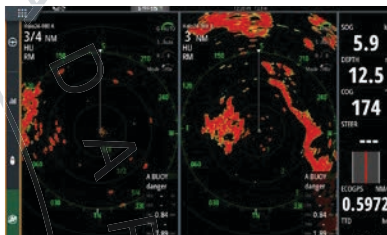
The ultimate view for situational awareness.

Simrad[®] Halo[®] 24 revolutionizes radar by offering an almost real-time view, with industry-first 60 RPM operation at close range for the ultimate in collision avoidance.

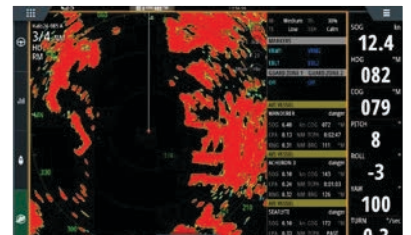
Identify hazards in an instant with VelocityTrack[™] Doppler technology, and enjoy simultaneous short and long-range coverage up to 48 nautical miles-from one compact 24-inch dome antenna.



Combining VelocityTrack with Halo[®]'s Superior Azimuth & Range Resolution.



No trade off in target detection when using dual range, which helps maintain situational awareness.



A faster rotation speed allows a faster refresh of targets in the PPI (radar screen).

HALO® 20+ RADAR

Halo® 20+ radar delivers a full 360-degree sweep every second, at ranges up to 1.5 nautical miles. These ultra-fast updates give boaters an almost real-time view at close range - offering the ultimate view for collision avoidance of fast-moving targets.

Ideal for a wide range of coastal bay boats, Halo® 20+ comes in a compact dome antenna and delivers high-quality short-, mid- and long-range detection. Boaters can monitor two distance ranges at once in Dual Range mode allowing them to keep an eye on distant weather cells, while watching for collision hazards nearby. Halo® 20+ radar's pulse compression technology means no compromises in detection at either selected range, while beam sharpening provides enhanced separation between small or distant targets.

MAIN FEATURES

36 nm range from a compact 20-inch dome

Advanced pulse compression technology with beam sharpening

Simultaneous Dual Range operation sees both near and far

Ultra-fast 60 RPM operation at ranges up to 1.5 nm

VelocityTrack™ Doppler technology for collision avoidance

Easy operation with Harbour, Offshore, Weather and Bird modes

MARPA target tracking (up to 10 targets, 20 in dual range)

Ready instantly from standby



HALO® 20 RADAR

Halo® 20 is a cost-effective solution for boaters to increase situational awareness and collision avoidance, detecting collision hazards and other targets nearby and up to 24 nautical miles away. With its small footprint and low profile, HALO 20 is the perfect radar solution for more budget-conscious buyers with smaller sportfishing vessels and dayboats.

Halo® 20 radar also delivers a comprehensive range of features to enhance your situational awareness and on-water safety. Boaters can monitor selected collision hazards with MARPA target tracking, tracking up to 10 targets. Whether navigating through crowded waterways or contending with poor visibility, Halo® 20 radar cuts through the clutter to give boaters a clear and current picture of their surroundings.

MAIN FEATURES

10W Pulse Compression

24 nm range from a compact 20-inch dome

Unrivalled short range

Easy operation with Harbour, Offshore and Weather mode

MARPA target tracking

InstantOn™

Low Power Consumption

Guard Zones



RADAR DISPLAYS

R2009 AND R3016

The Simrad® R2009 and R3016 are dedicated radar control units, compatible with a range of Simrad® radar solutions including Halo™ Dome, Halo Open Array and HD Digital Radar.

R2009 DEDICATED RADAR CONTROL UNIT

The R2009 is a dedicated Radar Control Unit with integrated 9-inch portrait display, compatible with a range of Simrad® radar solutions including Halo Pulse Compression, Broadband 3G™/4G™, and HD Digital Radar.



R3016 DEDICATED RADAR CONTROL UNIT

The R3016 is a dedicated control unit for Simrad® radar systems and features an integrated 16-inch widescreen display. An ideal safety and navigation accessory for offshore cruisers and sportfishing vessels, the R3016 offers versatile flush or bracket-mount installation options and intuitive keypad-based operation for reliable control in all conditions.

R2009 AND R3016 MAIN FEATURES

R2009 & R3016 are compatible with Simrad® Halo™ Pulse Compression, Halo Dome and HD Digital Radar systems

Dedicated radar control unit and Automatic tuning system

Anti-sea-clutter technology for an optimum picture under adverse weather conditions

MARPA target tracking

Keypad and rotary-dial interface with 8 direct-access menu keys

HDMI output for an optional secondary display or remotely-operated 'clone' station (R3016 only)

Bracket and flush-mount installation options

Ethernet, NMEA 0183® & NMEA 2000® connectivity

9-inch portrait display (R2009) or 16-inch HD widescreen display (R3016)



DEDICATED DISPLAYS

S2009 / S2016 ECHOSOUNDERS

The Simrad® S2000-Series fishfinder combines maximum vertical detail and intuitive keypad-driven operation for reliable control in all conditions.

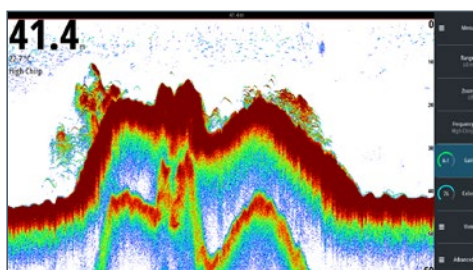


S2009 DEDICATED ECHOSOUNDER CONTROL UNIT

The S2009 fishfinder combines a single-channel 1kW Broadband Sounder™ module with CHIRP technology, 9-inch portrait display for maximum vertical detail, and intuitive keypad-driven operation. Robust yet compact with both bracket and flush-mount installation options, the S2009 was designed to meet the need for a dedicated fish finder display aboard coastal and offshore fishing vessels.

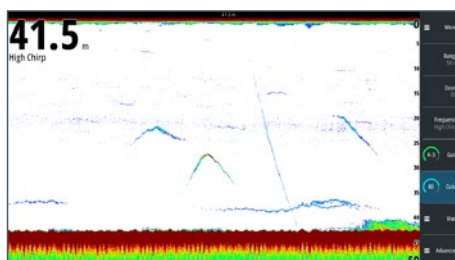
S2016 DEDICATED ECHOSOUNDER CONTROL UNIT

The S2016 combines 1kW CHIRP-enabled sonar with a 16-inch widescreen display for an extensive on-screen history, and intuitive keypad-driven operation for reliable control in all conditions. This dedicated echosounder integrates seamlessly with other Simrad® displays, while offering charter captains and long-range sportfishing vessels the reliability of a self-contained sonar platform.



High CHIRP separating the fish from the bottom.

Individual mid water fish. Amazing detection of a jig shown as it drops from 10m to the bottom at 41m.



S2009 AND S2016 MAIN FEATURES

Dedicated fish finder with integrated Broadband Sounder™ module and CHIRP 1kW technology

High depth penetration and ping speed

9-inch portrait or 16-inch widescreen display

High brightness ideal for outside installation

See clearly with White Line, White Marker, and Colour Erase features

Simple operation with 8 direct-access menu keys

Bracket and flush mounting options (bracket included) and Ethernet, NMEA 0183® & NMEA 2000® connectivity

AUTOPILOTS & INSTRUMENTS

AUTOPILOTS

An autopilot computer is the brains of your Simrad® autopilot system.



STEADYSTEER™

We are delighted to announce the launch of SteadySteer, a new functionality from Simrad® that makes autopilot navigation safer and more convenient.

STEADYSTEER MAIN FEATURES

Seamless and intuitive boat control

Easy course changes direct from the helm

Simple operation with automatic override and re-engagement

Performance upgrade for existing systems*

NEW



NEW



NAC™-D

NAC-D, a steer-by-wire autopilot solution for Electronic Vessel Control Systems (steering systems with a digital interface). NAC-D also comes with Continuum® steering and the new SteadySteer™ feature.

NAC-D MAIN FEATURES

SeaStar Solutions®, Volvo®, Yanmar® and Yamaha® approved control system interface

Control via AP™44, AP48 or easily integrate with your Simrad® multifunction display

No need for an additional hydraulic pump, rudder sensor, or dockside calibration

SteadySteer™ feature included

Continuum® steering included - an autopilot algorithm technology based on decades of development

Full system integration with Simrad® navigation systems via NSS™ and NSO™ multifunction display ranges

AUTOPILOTS & INSTRUMENTS

AUTOPILOTS

Accurate and reliable control over your heading without years of experience at the helm.

AP™44 AUTOPILOT

This feature-packed **autopilot** controller with 4.1-inch full-colour display, offers intuitive operation and rotary-dial course adjustment.



AP44 MAIN FEATURES

- Optically bonded display with wide viewing angle
- Intuitive autopilot control with simple menu
- Quick and easy rotary-dial course adjustment
- Automated turn patterns for hands-free manoeuvres
- No Drift steering holds your course against wind and tide



AP48 MAIN FEATURES

- Intuitive autopilot interface with extended keypad
- Large, heavy-duty rotary control dial for precision steering
- Continuum steering technology
- Optically bonded 4.1-inch colour display
- Ultra wide 170-degree viewing angle

AP48 AUTOPILOT

The AP48 Autopilot Controller is a premium dedicated control head for Simrad® autopilot systems, enhanced with modern glass bridge styling.

DRIVEPILOT™ / OUTBOARD PILOT

Do-It-Yourself autopilot packs for fingertip control from any Simrad® GO™ Series, NSSevo3™, NSSevo3S™, NSO™ evo2, NSO evo3 or NSO evo3S multifunction display. Affordable automatic steering for hydraulic-steer and cable steer engines. The DrivePilot provides robust performance in heavier seas with included rate compass.



AUTOPILOTS & INSTRUMENTS

AUTOPILOTS

Critical for real-time displays of important engine and watercraft information.



IS35

Easily visible day or night, the IS35 offers an interface to engine data, fuel efficiency, depth history and more. Connected by NMEA 2000®, the IS35 automatically detects and displays the most relevant information on a series of pre-set, customisable data pages.

Simple button-driven menus

Automatically displays data from NMEA 2000® engines and sensors

Monitor up to two engines per gauge

Stylish-low-profile design

Single-cable installation



IS42 / IS42J

The multi-purpose IS42 instrument display uses a 4.1-inch full-colour screen to clearly present data from a wide variety of NMEA 2000® connected sensors and engines. The IS42J offers engine status and performance for up to two J1939 diesel engines.

Optically bonded display with wide viewing angle and low-profile glass bridge design

Display wind, speed, depth, engine data, AIS and more

Intuitive operation with waterproof silicon keys

Add an OP12 keypad for full Simrad® autopilot control



OP12

The OP12 wired remote seamlessly integrates with Simrad® autopilot systems to provide intuitive mode control, course adjustments, and power steering. Pairs with the IS42, and compatible with Simrad® multifunction displays.

Full autopilot control with the IS42

Waterproof silicon keys

Easy one-cable installation



PRECISION-9

Based on reliable solid-state sensor technology, the Precision-9 Compass supplies heading and rate-of-turn information to Simrad® autopilot, radar and navigation systems.

Continual automatic calibration

Heading, Rate Of Turn (ROT), pitch and roll output over NMEA 2000®

Easily adjustable mounting bracket allows bulkhead or up-mast installation



WR10

Take control of your autopilot from anywhere on board with this easy to use, pocket size, wireless remote controller. The WR10 works with Simrad® autopilot systems and is a perfect add on for all types of motor and fishing boats.

1 or 10 degree course changes

Waterproof Bluetooth® base station

Range of up to 30 metres



OP50

Available in portrait and landscape versions to suit any mounting location from dash to helm chair arm, this controller provides intuitive keypad and rotary-dial command of up to six displays.

Compatible with GO™, NSS™ and NSO™ multifunction displays

High-quality aluminium control dial with built-in cursor functions

Available in portrait or landscape orientation

ECHOSOUNDERS

TRANSDUCERS AND MODULES

From all in one Active Imaging™ technology to the three-dimensional images of StructureScan® 3D, we offer something for every angler, on any budget.

ACTIVE IMAGING™ SONAR

Perfect for pinpointing fish-holding areas like rocks, reef, weedbeds and wrecks.

Active Imaging sonar delivers superior clarity and the highest resolution images of fish and structure at a longer range than any other structure imaging technology.

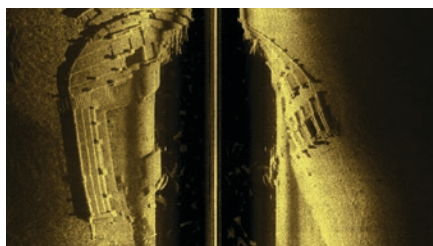
ACTIVE IMAGING MAIN FEATURES

All of your sonar – CHIRP, SideScan and DownScan – from a single transducer

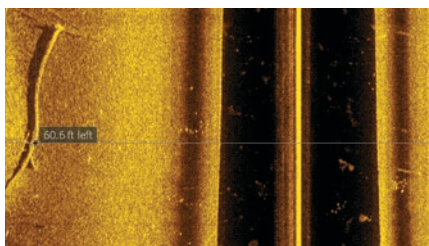
More refined detail and better range than any other imaging technology

Easier target identification with FishReveal™ Smart Target View

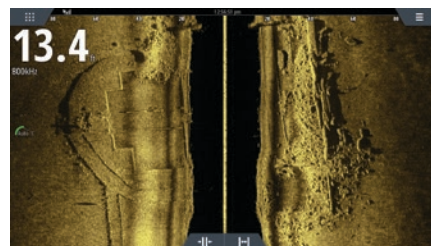
Supports Medium and High CHIRP (83/200kHz) + SideScan and DownScan (455/800kHz)



Our clearest, sharpest sonar image ever without sacrificing any range.



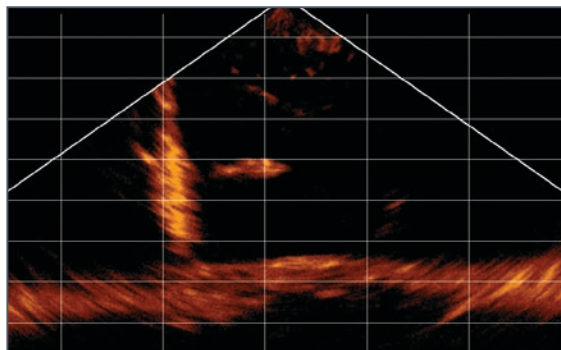
Quickly identify fish-holding structure like rocks, reef, weedbeds and wrecks.



Active Imaging doesn't sacrifice range for image clarity, allowing you to find the structure faster.

LIVESIGHT™ SONAR

Get real-time views of bait and fish movements with **LiveSight sonar**. See how the fish reacts to your lure in real time. Perfect for drop shooting and vertical jigging, LiveSight helps you get a read on the fish, so you'll know whether they are actively feeding.



See fish move through the water and around structure in real time.

LIVESIGHT MAIN FEATURES

See fish movements in real time below or in front of your boat

Watch fish react to your lure

Remove the guesswork from sonar interpretation

Compatible with NSS™ and NSO™ evo3/evo3S* when combined with a PSI-1 module**

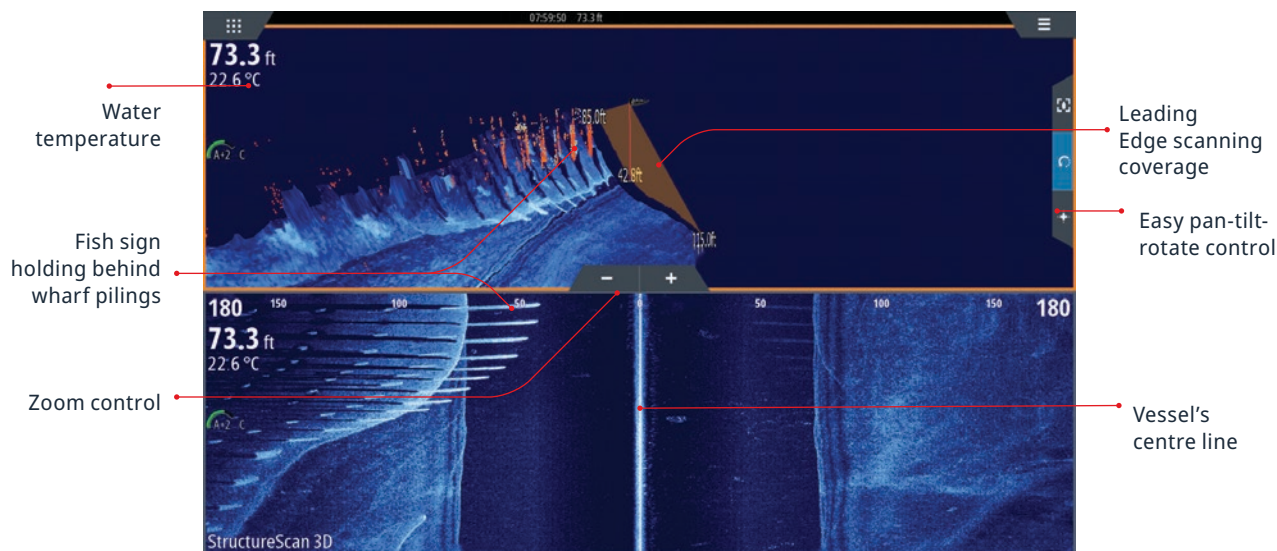
*NSS/NSO evo3S requires 20.2 Software Update

**NSO evo3/evo3S requires a PSI-1 module and a SonarHub.

ECHOSOUNDERS

STRUCTURESCAN® 3D

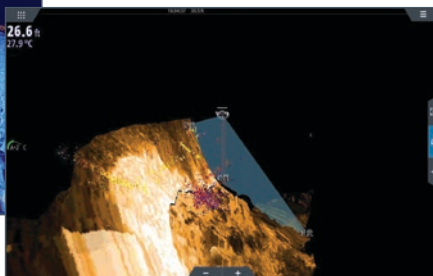
StructureScan® 3D imaging scans underwater terrain and fish-holding structure to create a high-resolution, 180-degree, three-dimensional view beneath your vessel.



StructureScan® 3D ScanTrack highlights wharf pilings as fish-holding structure



StructureScan® 3D showing fish-holding around rocky structure near Nelson, New Zealand. Use Vertical Enhancement to make smaller structure appear larger and more visible.



StructureScan® 3D's ScanTrack view showing two distinct fish groups of varying species or size holding at different depth contours against this drop off.

STRUCTURESCAN® 3D MAIN FEATURES

- Unrivaled SideScan image clarity
- High Definition (HD) and super-wide 3D scanning
- Leading Edge™ Scanning Reference
- SelectScan™ target identification
- Vertical Enhancement Control and Waypoint Overlay
- ScanTrack™ pan-tilt-rotate controls
- Enhanced SideScan Skimmer® transducer design



STRUCTURESCAN® 3D

With this **unique imaging view**, anglers gain a better understanding of where fish and structure are located in relation to their vessel. StructureScan® 3D imaging is available on Simrad® NSS™ and NSO™ product families when used in combination with the StructureScan® 3D module and 3D Skimmer® transducer.

ECHOSOUNDERS

S5100 ECHOSOUNDER MODULE

Whether searching deep for swordfish, mid-range bait balls or wrecks holding big targets, the Simrad® S5100 Sounder upgrades your fish-finding ability.



This high-performance CHIRP sonar module features three fully independent channels to deliver simultaneous high-resolution coverage across multiple depth ranges, perfect for offshore sportfishing anglers.

Mix and match wide and narrow transducer beam-widths to reveal more fish, or adjust CHIRP frequencies to precisely target specific depths producing big, crisp arches for the most advanced target separation available.

S5100 MAIN FEATURES

Three fully independent sonar channels deliver high-resolution coverage

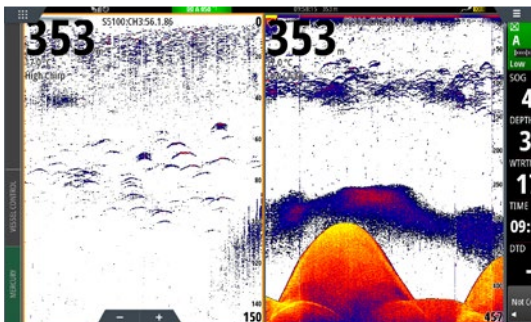
Noise-free clarity at all depth ranges

Dependable bottom-lock at faster boat speeds

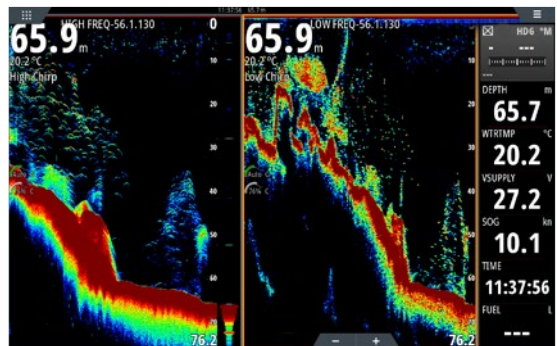
Flexible and easy transducer frequency selection to match your needs

Intelligently cover the water column in superior detail

3KW per channel to get even deeper



Pinnacles from 420m up to 300m on low frequency. Large bait school and individual fish in the mid water on both frequencies.



Reef Fishing at 65M (210ft). Different ping speed between high and low chirp.

ECHOSOUNDERS

CHIRP AND BROADBAND TRANSDUCERS

For compatibility please see www.simrad-yachting.com or speak to one of our certified dealers.

Transom Mount	Tilt °	Freq (kHz)	Power	Cone angle °	Connector	Part Number
Active Imaging 3-IN-1		83/200/M/H		52°/22°	9pin xSonic	000-14489-001
HDI SKIMMER		83/200/M/H		52°/22°	9pin xSonic	000-12728-001
HDI SKIMMER		50/200/L/H		29°/12°	9pin xSonic	000-12569-001
P66		50/200	600W	45°/11°	9pin xSonic	000-13919-001
TM150M		M (95-155)	300W	17°-26°	9pin xSonic	000-13944-001
TM165HW		Hi (150-250 KHZ)	600W	30°	9pin xSonic	000-15482-001
TM185HM		Hi (150-250)	1kW	25°	9pin xSonic	000-13997-001
TM185M		M (85-135)	1kW	16°-11°	9pin xSonic	000-13998-001
TM260		50/200	1kW	19°/6°	9pin xSonic	000-13904-001
*TM275LH-W		L (42-65)/H(150-250)	1kW	16°-25°/25°	9pin xSonic	000-13770-001
Through hull	Tilt °	Freq (kHz)	Power	Cone angle °	Connector	Part Number
Bronze HDI	0°	50/200/L/H		45°/11°	9pin xSonic	000-13905-001
	12°	50/200/L/H		45°/11°	9pin xSonic	000-13906-001
	20°	50/200/L/H		45°/11°	9pin xSonic	000-13907-001
P319	0°	50/200	600W	45°/12°	9pin xSonic	000-13915-001
SS60 - 20°	20° (0° & 12° available)	50/200	600W	45°/12°	9pin xSonic	000-13786-001
SS164 - 20°	20° (0° & 12° available)	50/200	1kW	20°/6°	9pin xSonic	000-13918-001
SS260		50/200	1kW	19°/6°	9pin xSonic	000-13783-001
B150M - 20°	20° (0° & 12° available)	M (95-155)	300W	17°-26°	9pin xSonic	000-13922-001
SS75M - 20°	20° (0° & 12° available)	M (80-130)	600W	16°-24°	9pin xSonic	000-13910-001
SS75H	0°	H (130-210)	600W	9°-15°	9pin xSonic	000-13911-001
	12°	H (130-210)	600W	9°-15°	9pin xSonic	000-13912-001
SS260	20°	H (130-210)	600W	9°-15°	9pin xSonic	000-13913-001
SS175L	0°	L (40-60)	1kW	21°-32°	9pin xSonic	000-13774-001
	12°	L (40-60)	1kW	21°-32°	9pin xSonic	000-13775-001
	20°	L (40-60)	1kW	21°-32°	9pin xSonic	000-13776-001
SS175M	0°	M (85-135)	1kW	11°-16°	9pin xSonic	000-13777-001
	12°	M (85-135)	1kW	11°-16°	9pin xSonic	000-13778-001
	20°	M (85-135)	1kW	11°-16°	9pin xSonic	000-13779-001
SS175H-W	0°	H (150-250)	1kW	25°	9pin xSonic	000-13780-001
	12°	H (150-250)	1kW	25°	9pin xSonic	000-13781-001
SS164 - 20°	20°	H (150-250)	1kW	25°	9pin xSonic	000-13782-001
*B275LH-W		L (42-65)/H(150-250)	1kW	16°-25°/25°	9pin xSonic	000-13771-001
*R509LH-W		LL (28-60)/H(150-250)	3kW	9°-23°/25°	9pin xSonic	000-13773-001
In Hull/Pocket/ Chest Mount	Tilt °	Freq (kHz)	Power	Cone angle °	Connector	Part Number
P79		50/200	600W	45°/12°	9pin xSonic	000-13942-001
M260		50/200	1kW	19°/6°	9pin xSonic	000-13914-001
*CM275LH-W		L (42-65)/H(150-250)	1kW	16°-25°/25°	9pin xSonic	000-13772-001
Adaptors						Part Number
7 pin TXD plug to 9 pin MFD plug	For connecting 7 pin blue plug transducers to 9pin xSonic display					000-13313-001
9 pin TXD plug to 7 pin MFD plug	For connecting non Airmar XID transducers with 9pin xSonic connectors with analogue temp to older 7pin blue sockets on displays and echo sounder modules.					000-12571-001
9 pin TXD plug to 7 pin MFD plug	For connecting XID Airmar Chirp transducer to older 7 pin blue socket on displays and echosounder modules					000-13977-001

* These are dual channel transducers, connect to S5100, NSS evo3 or NSS evo3S

ECHOSOUNDERS

FORWARDSCAN™ SONAR

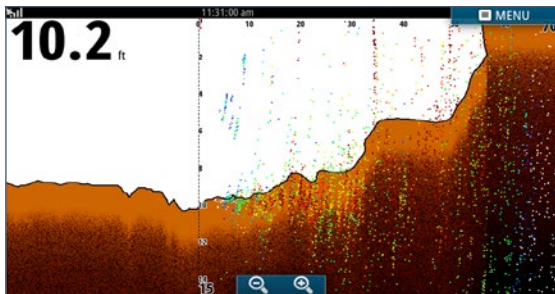
Know what lies ahead with Simrad® ForwardScan.

This forward-looking sonar provides a clear two-dimensional image of the bottom in front of your vessel, allowing you to navigate shallow or poorly-charted waters with confidence. With real-time updates and a forward-looking view of up to eight times your current depth, ForwardScan lets you relax and enjoy a safer day on the water.

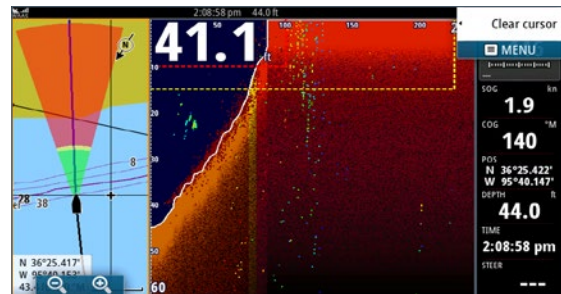


FORWARDSCAN SONAR MAIN FEATURES

- Clear view of what's below the surface
- Bottom colour tracking for simplified bottom view
- Set up custom warning zones
- Avoid running aground with shallow depth alarm
- Built-in temperature sensor
- Easy to install through-hull fitting with stainless sleeve
- Simrad® NSS™ and NSO™ product families (via SonarHub) & GO™5/GO7/GO9/GO12 compatible



Bottom Colour Tracking offers a solid 2D rendering of the bottom ahead of your vessel for an uncluttered, immediately understandable view.



Heading Line View integrates ForwardScan depth data with the heading line on the navigation page of your Simrad® display, with simple colour-coding to represent deep, medium and shallow water.



MAXIMUM FORWARD VIEW OF 8X YOUR CURRENT DEPTH

e.g. at 3m (10ft) depth, see up to 24m (80ft) ahead.



NOMINAL FORWARD VIEW OF 4-5X YOUR CURRENT DEPTH

e.g. at 3m (10ft) depth, see 12-15m (40-50ft) ahead.





MARINE COMMUNICATIONS

RADIO / AIS / AUDIO

Hear and be heard with the latest equipment from Simrad®.



RS20S

Stay safe and in touch with this dependable Class D DSC approved VHF radio featuring an integrated GPS receiver.

High-visibility display with inverted night mode

Intuitive rotary dial and keypad controls

Four-button fist microphone

Class D DSC approved

Integrated GPS antenna



RS40

Stay safe and connected with this VHF marine radio featuring a sleek design with removable fist mic, Class D DSC functionality, and built-in GPS.

Class D DSC approved VHF radio

Dual channel AIS receiver

Integrated GPS receiver

Connect up to two wireless handsets



RS40-B

The RS40-B includes a Class B AIS transceiver, which not only receives AIS targets but also transmits your boat's position to nearby AIS-equipped vessels.

Integrated Class B AIS transceiver

Class D DSC approved VHF radio

Integrated GPS receiver

Removable fist mic supports front or rear connection

Connect up to two wireless handsets

NMEA 0183® and NMEA 2000® connectivity



V3100

V3100 offers the next level in AIS performance. This Class B-SO AIS transceiver transmits at 2.5x the power of a regular Class B AIS. The time between transmissions also changes depending on your boat speed.

Class B-SO approved AIS transceiver

5W transmit power

NMEA 2000®, 0183® connectivity

IPx7 waterproof



NAIS-500

Reduce your risk of collision with this fully integrated Class-B AIS transceiver – essential for navigating busy shipping lanes and congested ports. The NAIS-500 networks easily with any NSS™, NSO™ or GO™ display.

Class-B Approved AIS Transponder

Integrates with existing Simrad® MFD

NMEA 2000®, 0183® connectivity

IPx7 waterproof & low power consumption



SONICHUB®2

The SonicHub® 2 system features Bluetooth® connectivity to stream music from smartphones and tablets, built-in AM/FM radio, music and video playback from USB drives – all controlled from your Simrad® display.

50W x 4 amplifier & Dual USB ports

Video output via Composite RCA for playing video files from a USB drive

Pre-amp Zone 3 and sub-woofer outputs

Dual Stereo AUX input (AUX1, AUX2)

MARINE COMMUNICATIONS

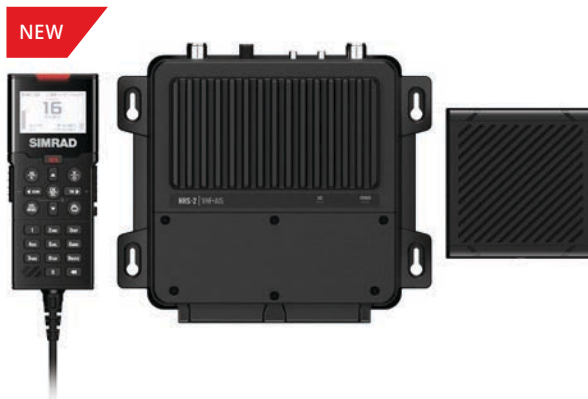
RADIO / AIS

Hear and be heard with the latest equipment from Simrad®.

RS100/RS100-B

Not just a radio, the RS100 also functions as a hailer, foghorn, and on-board intercom. Connect up to 4 wired handsets and 4 wireless handsets for access anywhere on board.

The RS100-B includes all the features of the RS100 but with the addition of a Class B AIS transceiver.

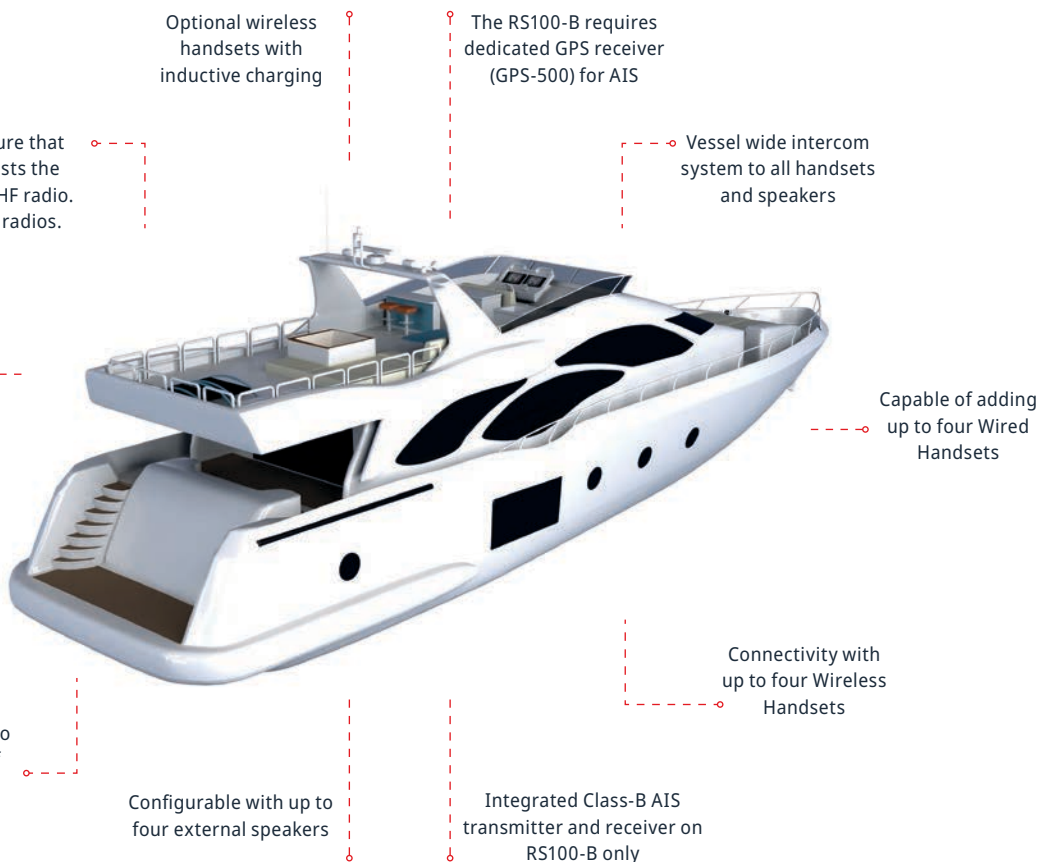


NEW

Modular system with up to 4 wired and 4 wireless handsets

60 seconds record and replay

Class B AIS transmitter and receiver (RS100-B only)



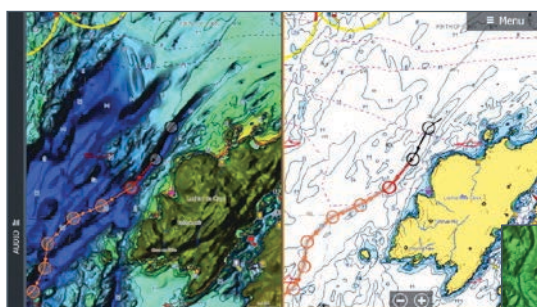
CHARTS AND MAPPING

CARTOGRAPHY

Offering the widest range of cartography options for anglers and cruisers.

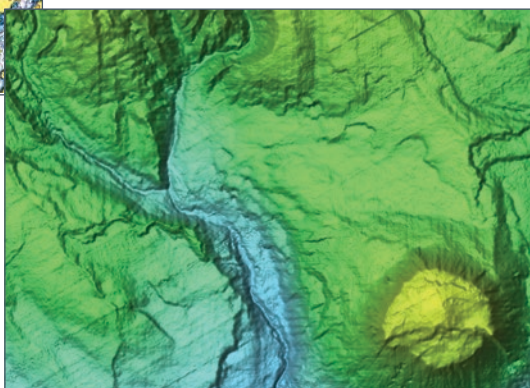
C-MAP®

C-MAP® has been setting the standard for navigation and situational awareness, serving boaters worldwide, since 1985. A C-MAP® chart is the perfect companion for your Simrad® Chartplotter.



C-MAP® REVEAL™

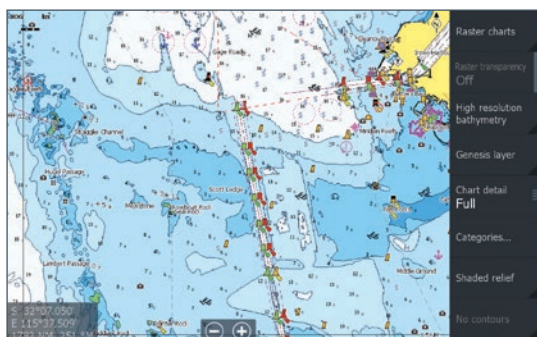
The all-new C-MAP® REVEAL charts will open up a new world of mapping. View the seafloor in a whole new light and clearly identify seafloor structure, along with reefs and ledges to find the best fishing and diving spots. Maximise every moment on the water.



MAIN FEATURES

Shaded Relief, including Ultra-High Resolution Bathymetric Imagery

Navigation Data – contains all features of C-MAP® DISCOVER, with Dynamic Raster Charts, Aerial Imagery and Satellite Overlay



C-MAP® DISCOVER™

With a choice of coverage areas, C-MAP® DISCOVER charts include all of the core features you need – full-featured Vector Charts, Custom Depth Shading, Tides & Currents and Easy Routing. Includes the very best of C-MAP® HRB.

MAIN FEATURES

Full Featured Vector Charts – accurate, up-to-date vector chart detail, derived from official Hydrographic Office information.

High-Resolution Bathymetry* – HRB layer helps you identify shallow areas, drop-offs and ledges. Now includes Genesis® detail as part of a single HRB layer.

* Level of detail is not available everywhere.

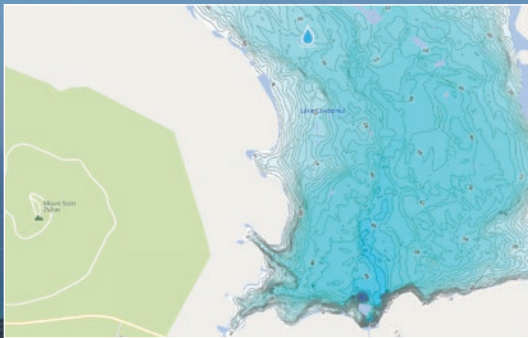
CHARTS AND MAPPING

CARTOGRAPHY

Offering the widest range of cartography options for anglers and cruisers.

C-MAP® GENESIS®

C-MAP® Genesis charts have revolutionized freshwater fishing, and also offers huge advantages to saltwater anglers, empowering you to create high-definition custom fishing maps with amazing detail and one-foot contours that uncover key fish-holding areas. Find out more at genesismaps.com.



MAIN FEATURES

Transform your sonar logs in free custom maps

View, download & contribute to a global social map of thousands of water bodies, created by thousands of Genesis community users

Customize maps with 1-, 3-, 5- or 10-foot shaded contours

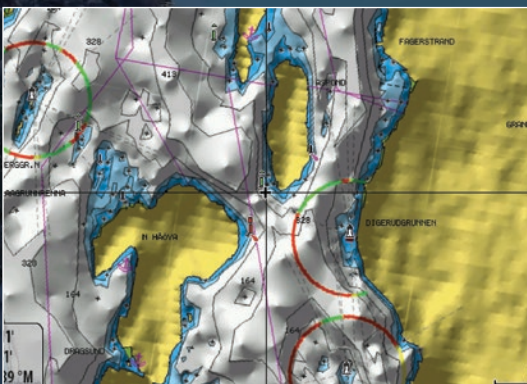
Option to upgrade to Genesis Edge to keep your maps private

To learn more about the C-MAP® range, and find the perfect chart for you, visit the website and online store at www.c-map.com

Smarter
with C-MAP®

NAVIONICS®

Navionics® charts offer optional high-definition layers, including 3D, Satellite Overlay, Panoramic Port Pictures, Dynamic Tides & Current, SonarChart™ Live and much more.



NAVIONICS® PLATINUM+

All the same marine and lakes content and advanced features found in Navionics®+ are augmented with 3D View, satellite overlay and panoramic photos to provide the ultimate situational awareness.

POWERBOAT SYSTEMS

SMALL & MEDIUM POWERBOATS

Single station powerboats.

26-50FT

SIMRAD® POWERBOAT SYSTEMS

Simrad® NSSevo3S™ displays and Glass Bridge systems place you in complete control of your cruising experience. Navigate confidently and safely with intuitive multi-touch controls, automatic routing, ForwardScan™ sonar, and a range of innovative radar solutions. Autopilot frees your hands from the wheel, while you cruise to your own soundtrack with the fully integrated SonicHub®2 entertainment system.



POWERBOAT SYSTEMS

MOTOR YACHTS

Large dual station motor yachts.

50-100FT



SPORTFISHING SYSTEMS

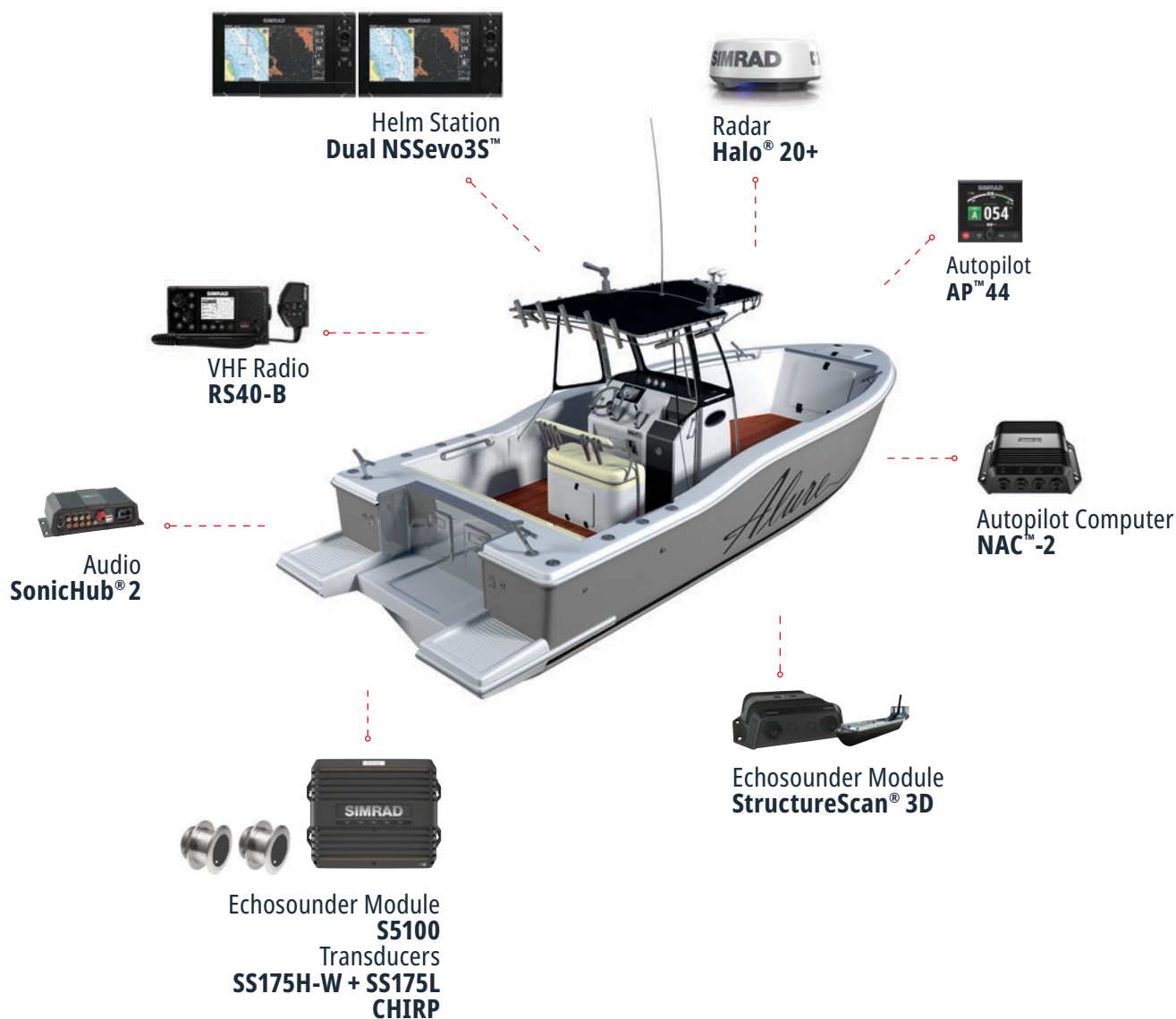
CENTER CONSOLE

Single station sportfishers.

20-40FT

SIMRAD® SPORTFISHING SYSTEMS

Customisable Simrad® technology lets you create the perfect sportfishing system. Whether you're drifting over deep-sea spots or trawling for big game, there's a sonar solution that will help you see more and target better. The bird finding feature on our Halo® radars and our crystal-clear displays will give you everything you need to find fish. All built tough and designed for ease of use with wet or gloved hands.



SPORTFISHING SYSTEMS

LARGE FLYBRIDGE

Large dual station motor yachts.

40-70+ FT



RUNABOUT SYSTEMS

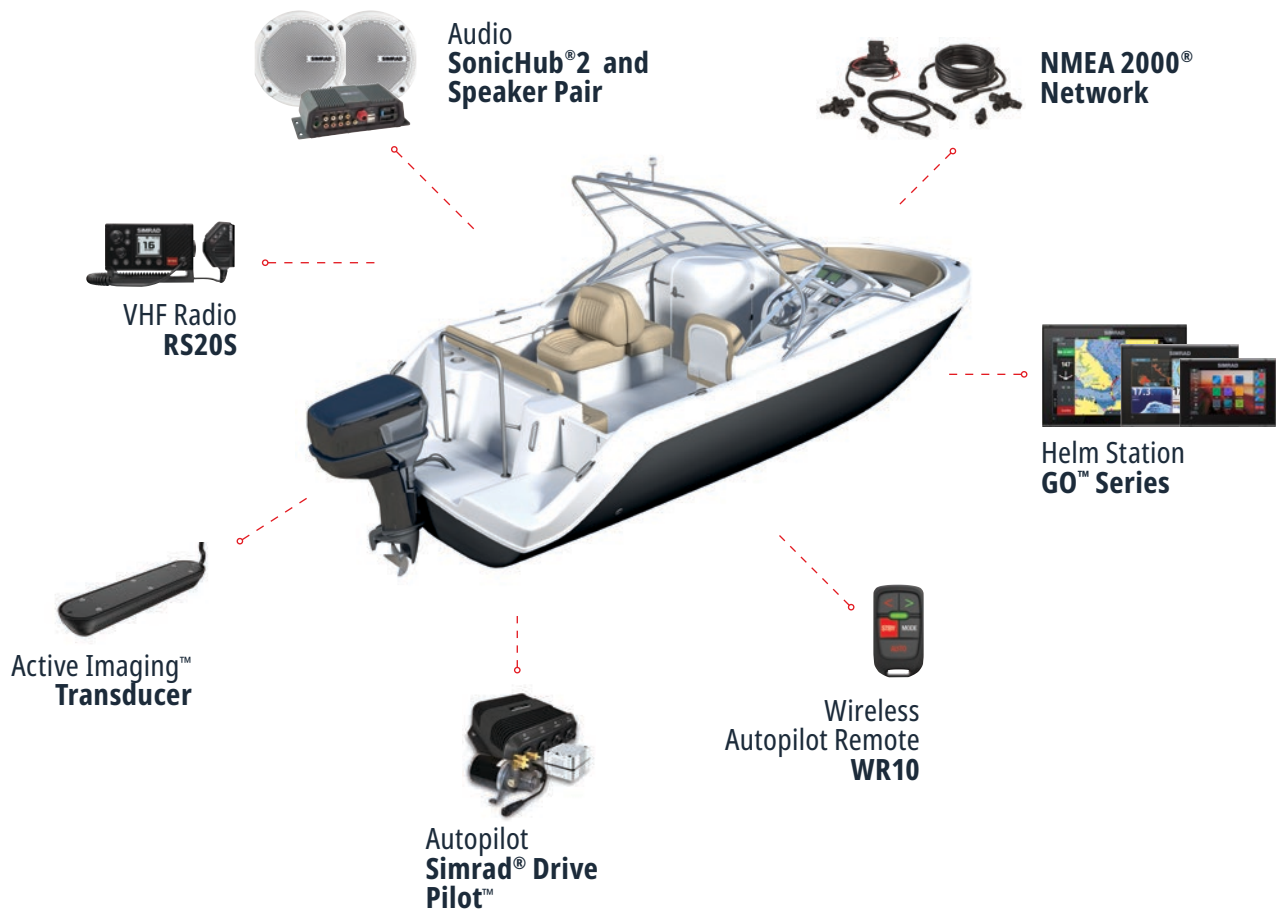
SMALL RUNABOUTS, BOW RIDERS OR BAY BOATS

Single station powerboats.

○ UP TO **26FT**

SIMRAD® RUNABOUT SYSTEMS

Our award-winning Simrad® GO™ chartplotter navigation displays are a perfect fit for runabouts of all types. These displays pair comprehensive navigation tools with a wide range of built-in cruising and fish finding sonar technology. With industry-standard connectivity, including support for compact and low-power Simrad® radar systems, it's easy to integrate and accessorise to suit your needs.



ENABLING
POWERBOATING
AND SPORTFISHING
ENTHUSIASTS TO
JOURNEY FURTHER
AND EXPLORE THEIR
LIMITS



INTEGRATED VESSEL

DIGITAL BRIDGE CONNECTED

Enhance your boat with vessel-wide monitoring, digital switching and control capabilities.



Extend your vision and control anywhere on board with a bespoke vessel integration system that connects all vessel services with a single touch.

Information is presented through easy-to-read numeric and graphical displays, logically arranged on pages related to specific areas of functionality such as switching, propulsion, or tankage.

Extend the capabilities of Simrad® systems with vessel-wide monitoring and control capabilities.

Includes lights, pumps, engine status, performance, fuel and other tank levels, energy management for DC and AC power systems, and other data from a vast range of supported systems and sensors.

MAIN FEATURES

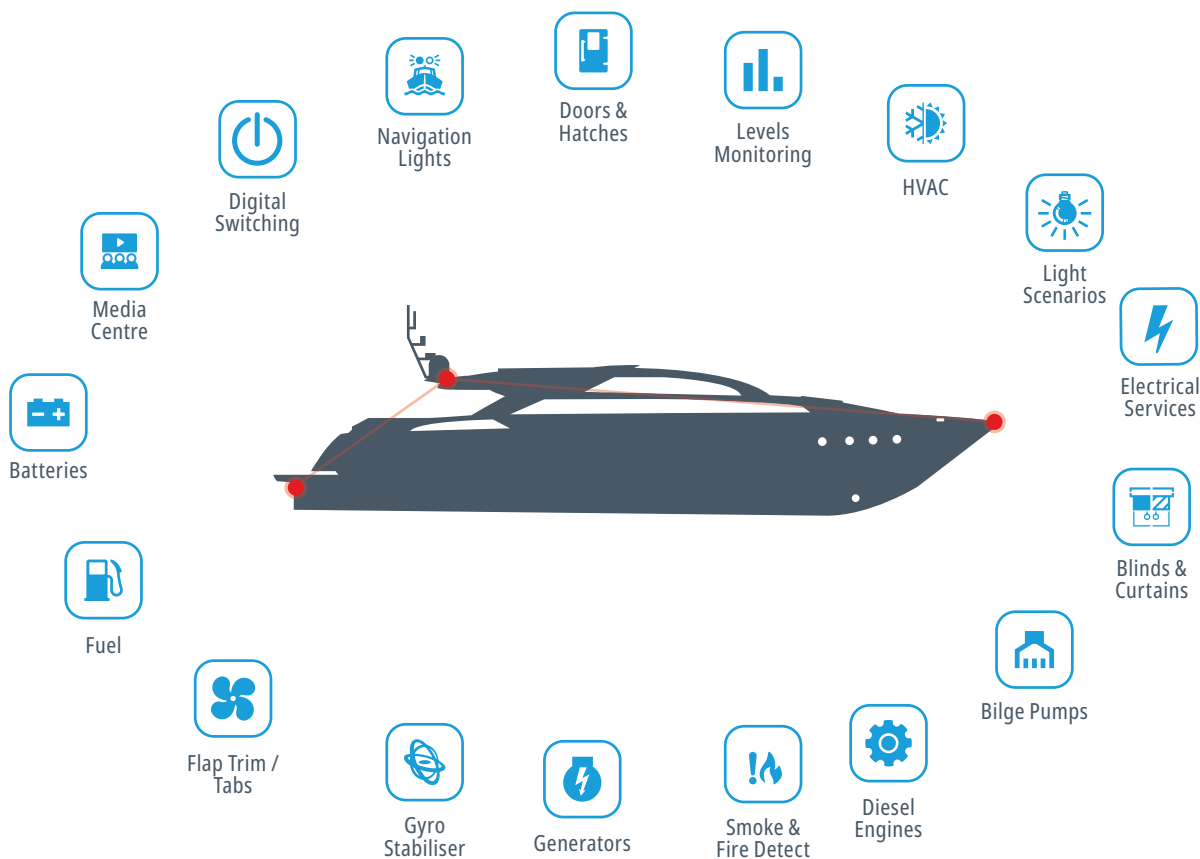
Bespoke systems tailored to your vessel

Monitor and control propulsion systems

Control lighting, air conditioning, and other systems with digital switching

Monitor fuel and other tank levels

Manage on board electrical systems



Control Page



Control Page

CRUISING AND FISHING

SIMRAD® APP

Access charts, plan trips and much more both on-and off-the water.

It is time to get out on the water with the new Simrad® app, built to help you journey further! Whether you are out on the water for cruising, fishing, diving, water sports or other activities, this is the app of choice. If you are equipped with a Simrad® display, get started by connecting your display to your phone. If not, you can just switch on the app and get going.

Find the hottest destinations for all your favourite activities with our high-resolution bathymetry charts. Power into your next trip and save your favourite routes, waypoints and trails in the app so you maximise your time on the water. It's easy to start planning from home, or on the go, to guarantee a fun day out. Downloadable offline charts give you mapping information when you are out on the water and away from it.

MAIN FEATURES

Activation/Registration of your Simrad® chartplotter

Free up-to-date charts

High Resolution Bathymetric Data*

Waypoints, routes and trails

Auto routing direct to your favorite fishing spots

Thousands of points of interest, including relevant information about marinas, harbours, beaches, shops and much more

Personalization of your maps

Marine weather forecast

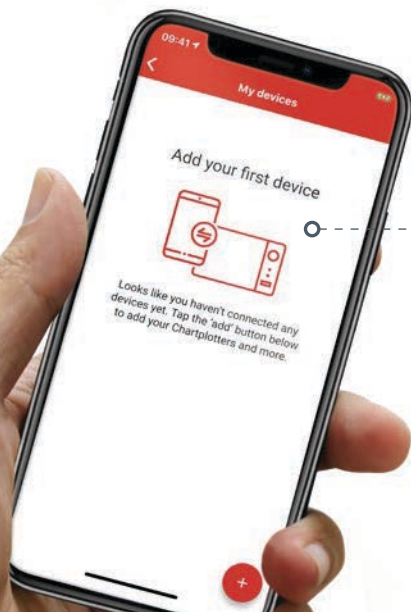
5-day weather along the route*

Mirror and control your Simrad chartplotter

Waypoint, route and track synchronisation

AIS Traffic*

Offline maps*



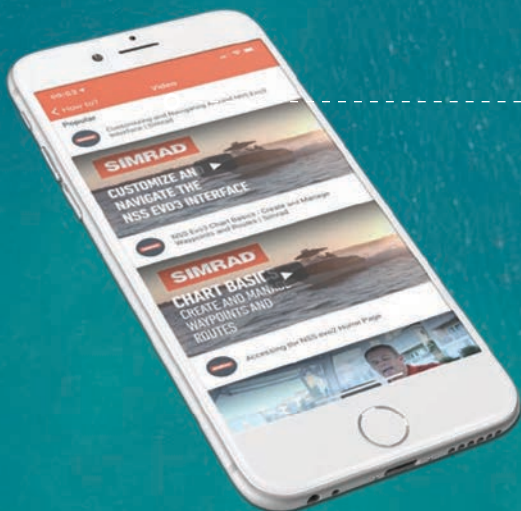
SIMPLE ONBOARDING

Register your device

Access your chartplotter information from one place

Update your software

The Simrad® app updates on a continuous basis to make sure you get the best experience and to bring you the most up-to-date maps and functionalities. Be sure to check in for updates regularly.



C-MAP® maps can be used online for free. You can also purchase and enjoy downloadable maps in remote areas without connection.

GET SUPPORT FOR YOUR DISPLAY

Online manuals

How to videos

Customer support

FREE CHARTS

Free up-to-date nautical charts

Map and units personalisation

Thousands of points of interest



PLAN

Autorouting

Personal waypoints, synchronisation, weather, routes and tracks

Information about marinas

5-day marine weather



PART NUMBERS

SIMRAD® PRODUCT LIST

A quick resource to help you find the correct Simrad® parts.

NSO EVO3S MFD

DESCRIPTION	PART NO.
NSO EVO3S MFD 16" Display	000-15047-001
NSO EVO3S MFD 19" Display	000-15049-001
NSO EVO3S MFD 24" Display	000-15051-001
NSO EVO3S MFD 16" System Pack	000-15126-001
NSO EVO3S MFD 19" System Pack	000-15127-001
NSO EVO3S MFD 24" System Pack	000-15128-001

NSO EVO3S MPU

DESCRIPTION	PART NO.
NSO EVO3S MPU Processor	000-15045-001
NSO EVO3S MPU, 16" Monitor Bundle	000-15115-001
NSO EVO3S MPU, 19" Monitor Bundle	000-15117-001
NSO EVO3S MPU, 24" Monitor Bundle	000-15119-001
MO16-T 15.6" Touch Monitor	000-11260-001
MO19-T 19" Touch Monitor	000-11262-001
MO24-T 24" Touch Monitor	000-11264-001

NSS EVO3S

DESCRIPTION	PART NO.
NSS evo3S 9", ROW Basemap	000-15405-001
NSS evo3S 12", ROW Basemap	000-15406-001
NSS evo3S 16", ROW Basemap	000-15407-001
NSS evo3S 9", + HALO 20+ radar	000-15556-001
NSS evo3S 12", + HALO 20+ radar	000-15557-001

GO SERIES

DESCRIPTION	PART NO.
GO7, No transducer	000-14448-001
GO7, HDI	000-14446-001

GO SERIES (continued)

DESCRIPTION	PART NO.
GO9, no transducer	000-14444-001
GO9, MED/HI/DWNSCN	000-14445-001
GO9, Active Imaging 3-in-1	000-14841-001
GO12, No transducer	000-14442-001
GO12, Active Imaging 3-in-1	000-14835-001

CRUISE

DESCRIPTION	PART NO.
Cruise 5 with 83/200 transducer	000-14998-001
Cruise 7 with 83/200 transducer	000-14999-001
Cruise 9 with 83/200 transducer	000-15000-001

DEDICATED DISPLAYS

DESCRIPTION	PART NO.
R2009, Radar Control Unit, 9"	000-12186-001
R3016, Radar Control Unit, 16"	000-12188-001
S2009, Echosounder, 9", No Transducer	000-12185-001
S2016, Echosounder, 16", No Transducer	000-12187-001

ECHOSOUNDERS

DESCRIPTION	PART NO.
SonarHub™ Module	000-11142-001
S5100 Sonar Module	000-13260-001
ForwardScan Transducer (XDRCR kit)	000-11674-001
ForwardScan Transducer (No sleeve or plug)	000-11675-001
StructureScan3D transducer and module	000-12395-001

PART NUMBERS

SIMRAD® PRODUCT LIST

A quick resource to help you find the correct Simrad® parts.

ECHOSOUNDERS

DESCRIPTION	PART NO.
StructureScan 3D Stainless Steel Thru-Hull transducer	000-13559-001
Active Imaging Transducer	000-14490-001
Active Imaging 3-IN-1 with 7.6 (25 foot) cable	000-14489-001
Active Imaging 3-IN-1 with 1.8m (6 Foot) cable	000-14814-001

HALO OPEN ARRAY

DESCRIPTION	PART NO.
Halo-3 Pulse Compression Radar	000-11469-001
Halo-4 Pulse Compression Radar	000-11470-001
Halo-6 Pulse Compression Radar	000-11471-001

HALO DOME RADAR

DESCRIPTION	PART NO.
Halo 24	000-14535-001
Halo 20+	000-14536-001
Halo 20	000-14537-001

VHF & AIS

DESCRIPTION	PART NO.
RS20S VHF	000-14491-001
RS40 VHF	000-14470-001
RS40B VHF	000-14473-001
NAIS-500 with GPS-500	000-13609-001
RS100 SYSTEM	000-15643-001
HANDSET+SPEAKER KIT,RS100,WIRED	000-15647-001

VHF & AIS

DESCRIPTION	PART NO.
RS100-B SYSTEM,AIS+GPS-500	000-15792-001
HANDSET,HS100,WIRED	000-15649-001
SPEAKER,SP100,WIRED	000-15651-001
VHF W/L HANDSET,DSC,HS40	000-14475-001
NSPL-500	000-13612-001

INSTRUMENTS

DESCRIPTION	PART NO.
IS35 Colour Instrument Display	000-13334-001
IS42 Digital Display	000-13285-001
Precision-9 Compass	000-12607-001

AUTOPILOT

DESCRIPTION	PART NO.
AP44 Rotary Pilot Head	000-13289-001
AP48 Rotary Pilot Head	000-13894-001
OP12 Autopilot Controller	000-13287-001
DrivePilot™ Hydraulic Steer Pack	000-11750-001
Outboard Pilot Hydraulic Pack	000-11748-001
Outboard Pilot Cable steer Pack	000-11749-001
OP50 Remote, Portrait	000-12364-001
WR10 Autopilot remote and base station	000-12316-001
SteadySteer™	000-15734-001

PRODUCT DIMENSIONS

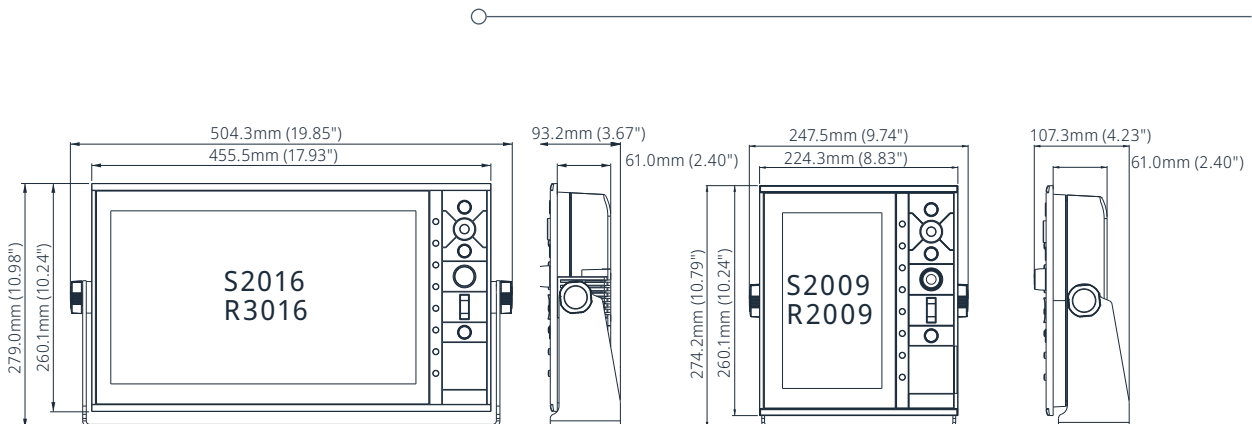
NSOEVO3S™

Product dimensions and characteristics that serve to identify our products.



S2009/R2009 AND S2016/R3016

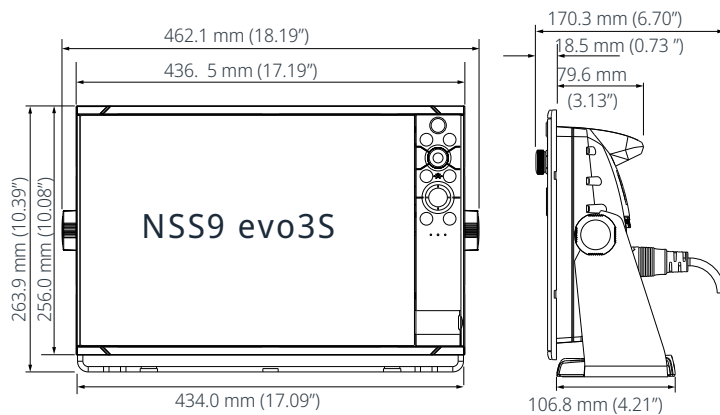
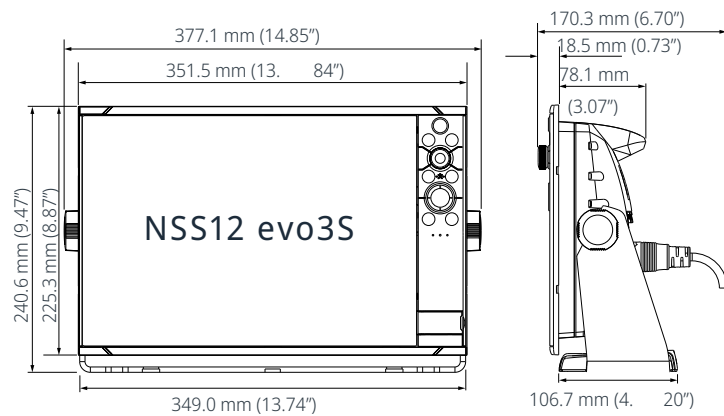
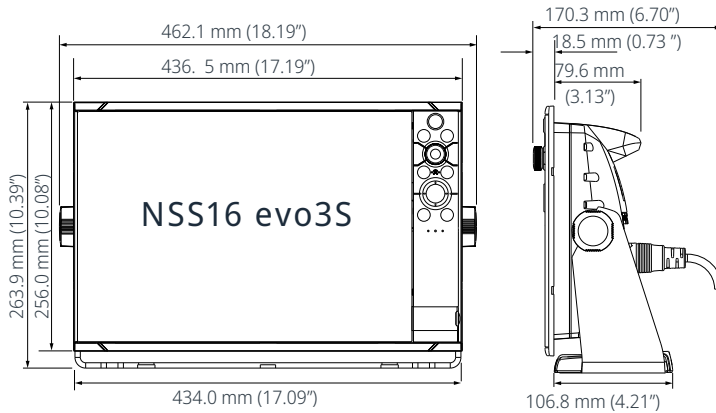
Product dimensions and characteristics that serve to identify our products.



PRODUCT DIMENSIONS

NSSEVO3S™

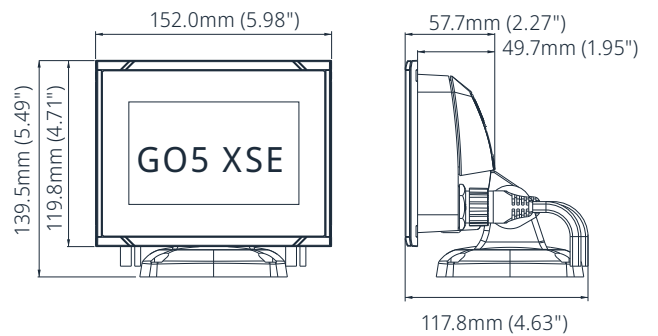
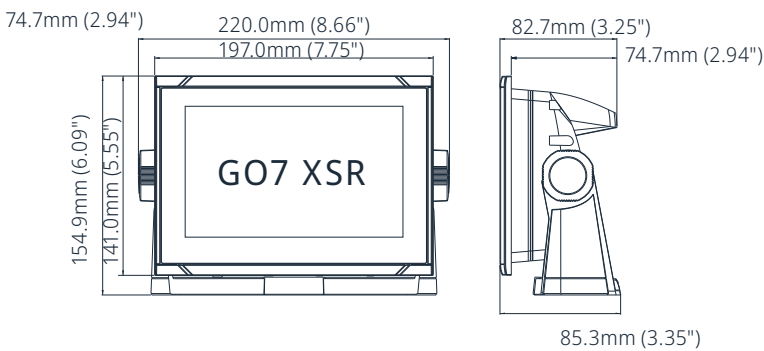
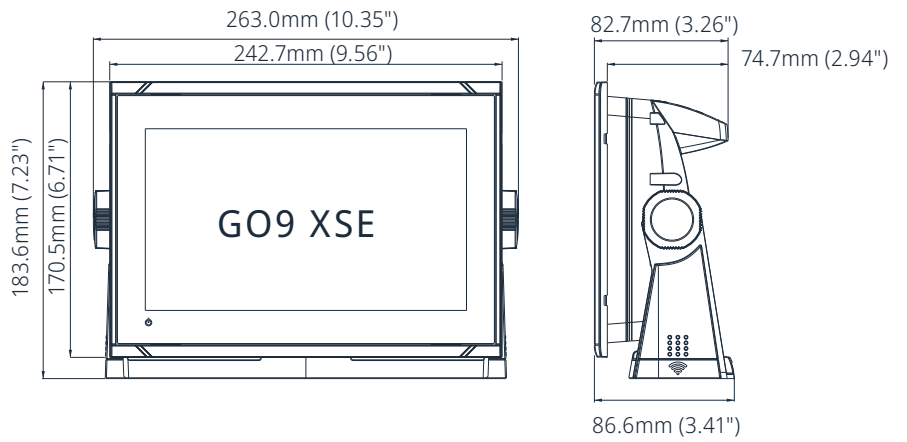
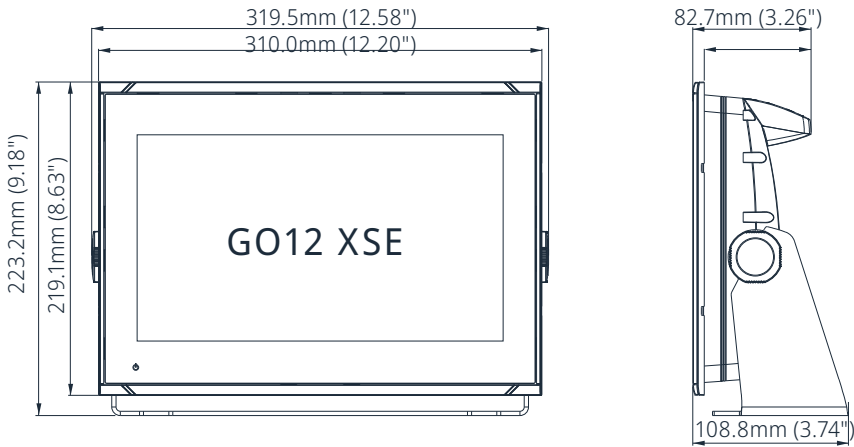
Product dimensions and characteristics that serve to identify our products.



PRODUCT DIMENSIONS

GO™ SERIES

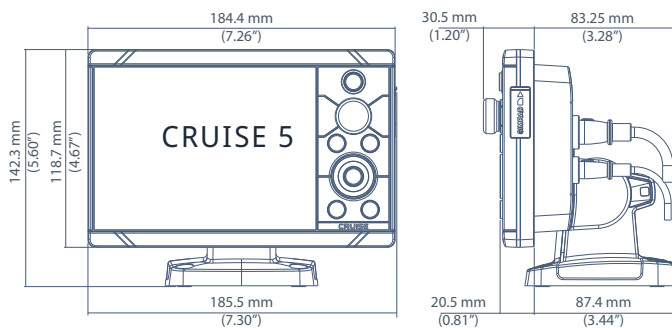
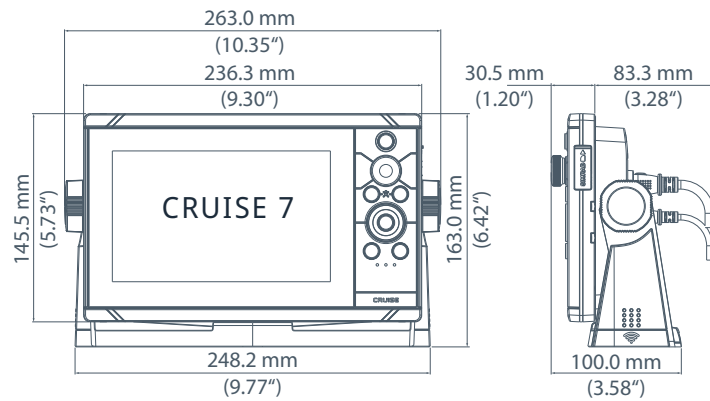
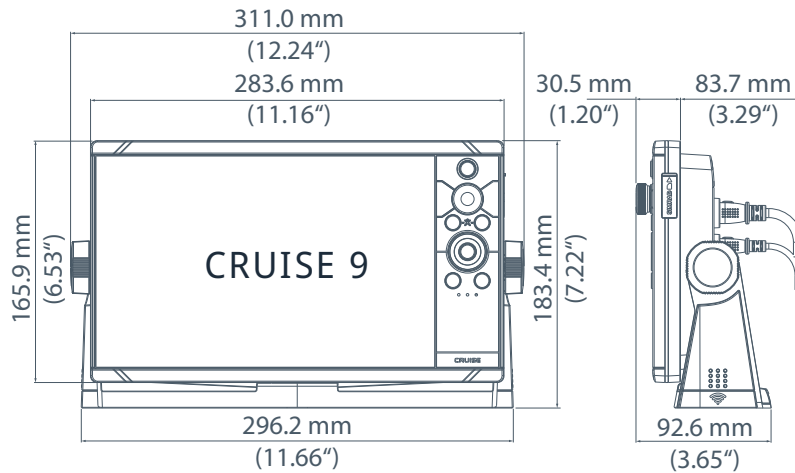
Product dimensions and characteristics that serve to identify our products.



PRODUCT DIMENSIONS

CRUISE™

Product dimensions and characteristics that serve to identify our products.



SIMRAD

SERVICE & SUPPORT

Comes with:

- 2 Year Warranty
- Extended Warranty Options
- 5 Year Upgrade
- Global Service Network

+ Certified Vessels:

- 2 Year OnBoard Support
- 24 Hour Replacement

Sales & Service

NAVICO LTD. (UK)

Secure House, Lulworth Close
Chandlers Ford Hampshire SO53 3TL
United Kingdom

Tel +44 (0)1794 518 448

Visit our website for a
list of certified dealers



Use a QR Code
reader app on your
smartphone to access
[Simrad-Yachting.com](https://www.Simrad-Yachting.com)

Simrad-Yachting.com