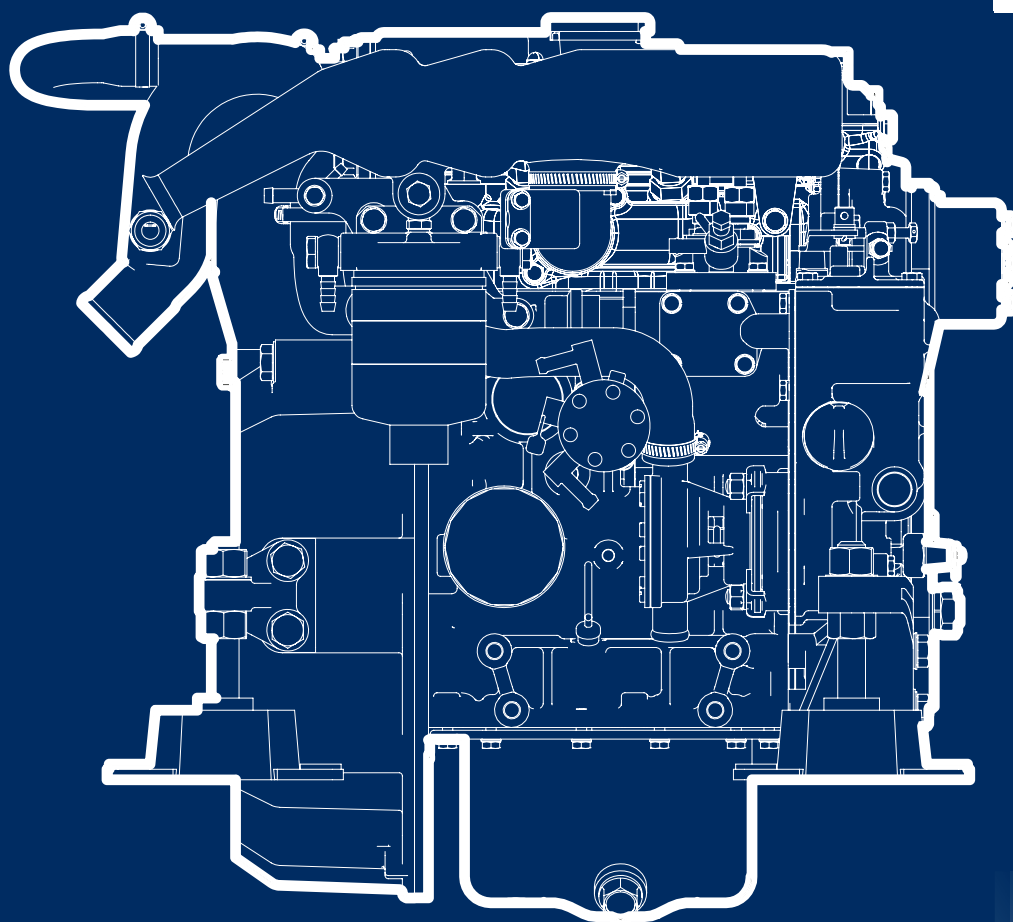




Craftsman
MARINE



SPARE PARTS

CATALOGUE **CM 2.16**

CRAFTED WITH CRAFTSMAN MARINE

PROPULSION





Disclaimer

The specifications and the descriptions in this spareparts book were correct at the time of going to press. However, Craftsman Marine is continuously striving after the improvement of its products and therefore reserves the right to modify – at all times and without prior notification - product specifications and instruction manuals.

1.0 MARINISATION PARTS

1.1 SPARES SET	PAGE 6
1.2 AIR INTAKE	PAGE 8
1.3 FUEL FILTER	PAGE 8
1.4 ENGINE SUPPORT	PAGE 10
1.5 HEAT EXCHANGE	PAGE 12
1.6 KEELCOOLER MANIFOLD	PAGE 14
1.7 HOSES	PAGE 16
1.8 RAW WATER PUMP	PAGE 18
1.9 FLYWHEEL HOUSING	PAGE 20

2.0 MITSUBISHI PARTS

2.1 CRANKCASE	PAGE 22
2.2 TIMING GEAR & CASE	PAGE 24
2.3 OIL SUMP	PAGE 26
2.4 CYLINDER HEAD	PAGE 28
2.5 CRANKCASE & FLYWHEEL	PAGE 30
2.6 CAMSHAFT & VALVE DRIVE	PAGE 32
2.7 GASKET KIT	PAGE 34
2.8 CIRCULATION PUMP	PAGE 36
2.9 FUEL SYSEM	PAGE 38
2.10 NOZZLE HOLDER	PAGE 40
2.11 FUEL PUMP	PAGE 42
2.12 REGULATOR	PAGE 44

3.0 ELECTRONICS

3.1 ALTERNATOR & STARTER	PAGE 46
3.2 TERMINAL BOX	PAGE 46
3.3 SENSORS	PAGE 50
3.4 INSTRUMENT PANEL	PAGE 52

SPARE PARTS

CM2.16

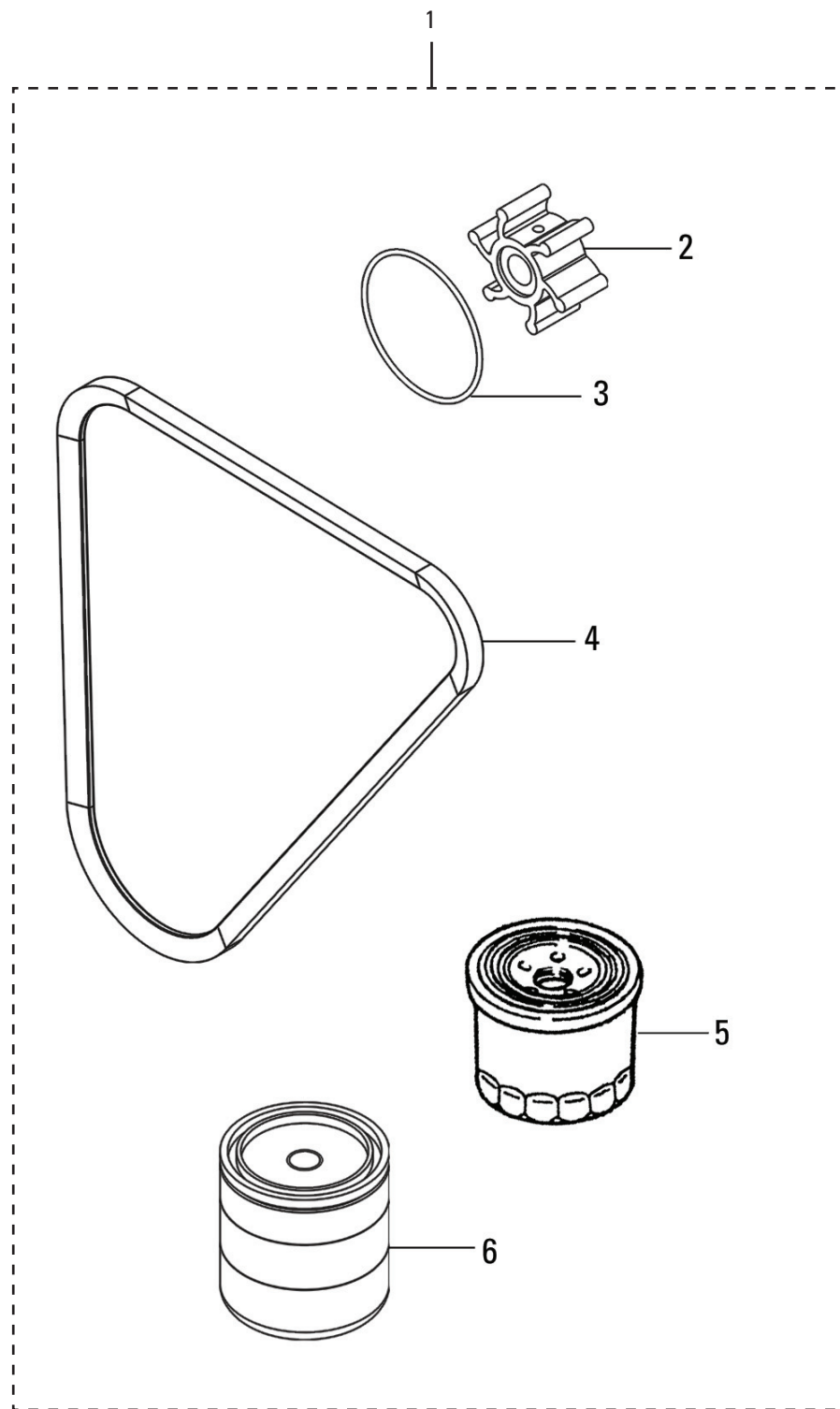
Craftsman
MARINE

1.1 SPARES SET

MARINISATION PARTS

MITSUBISHI PARTS

ELECTRONICS



SPARE PARTS

CM2.16

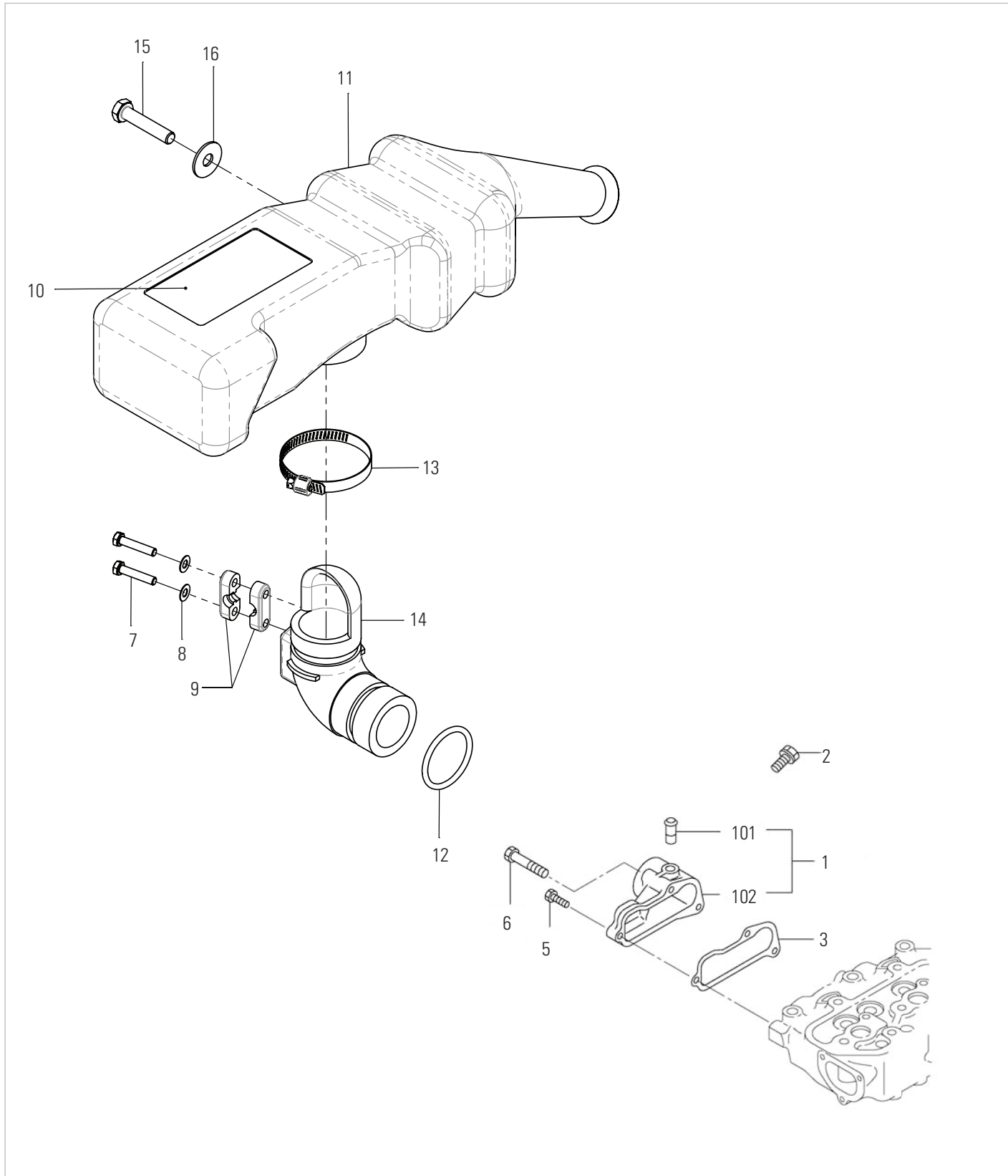
Craftsman
MARINE

1.2 AIR INTAKE

MARINISATION PARTS

MITSUBISHI PARTS

ELECTRONICS

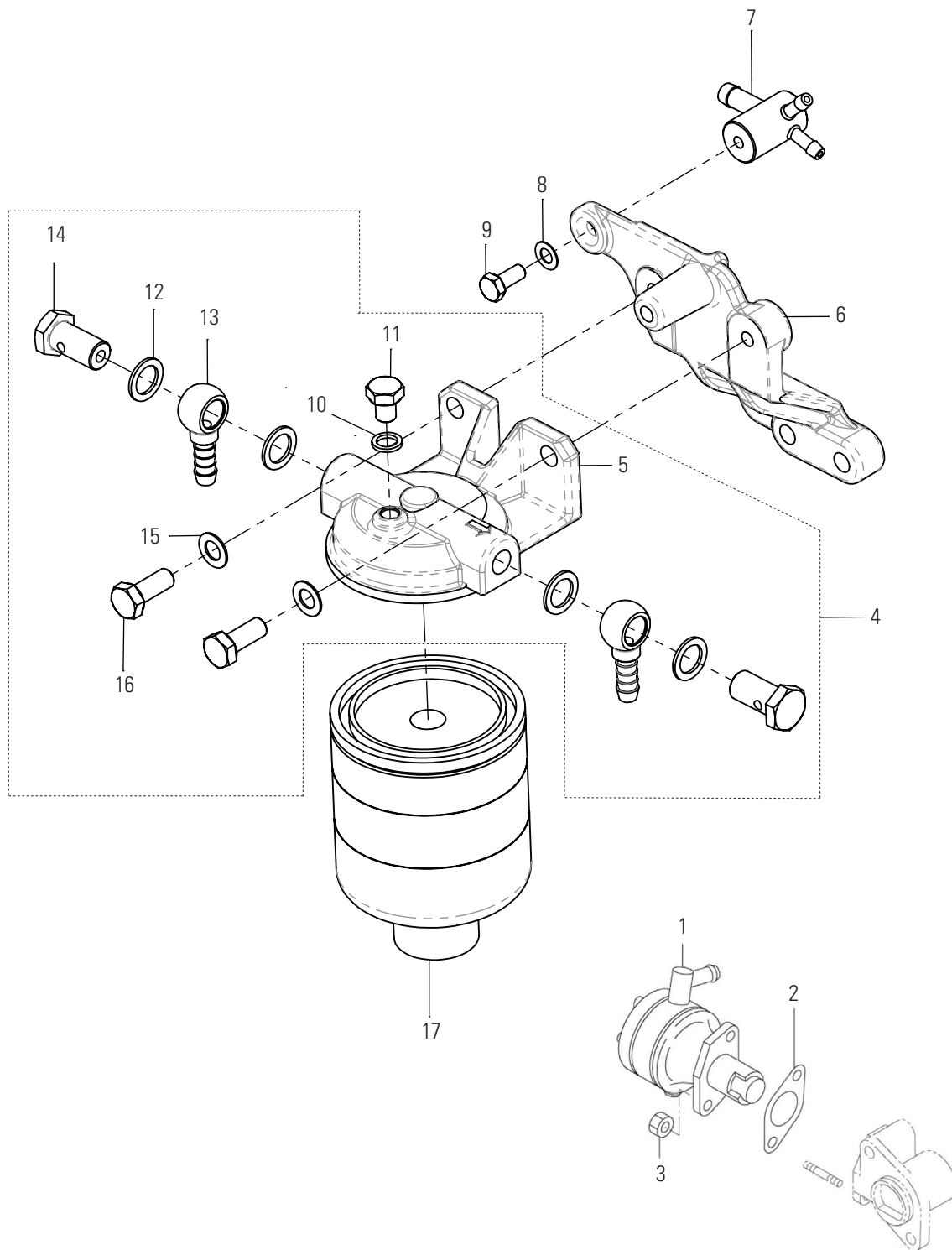


SPARE PARTS

CM2.16

Craftsman
MARINE

1.3 FUEL FILTER



MARINISATION PARTS

MITSUBISHI PARTS

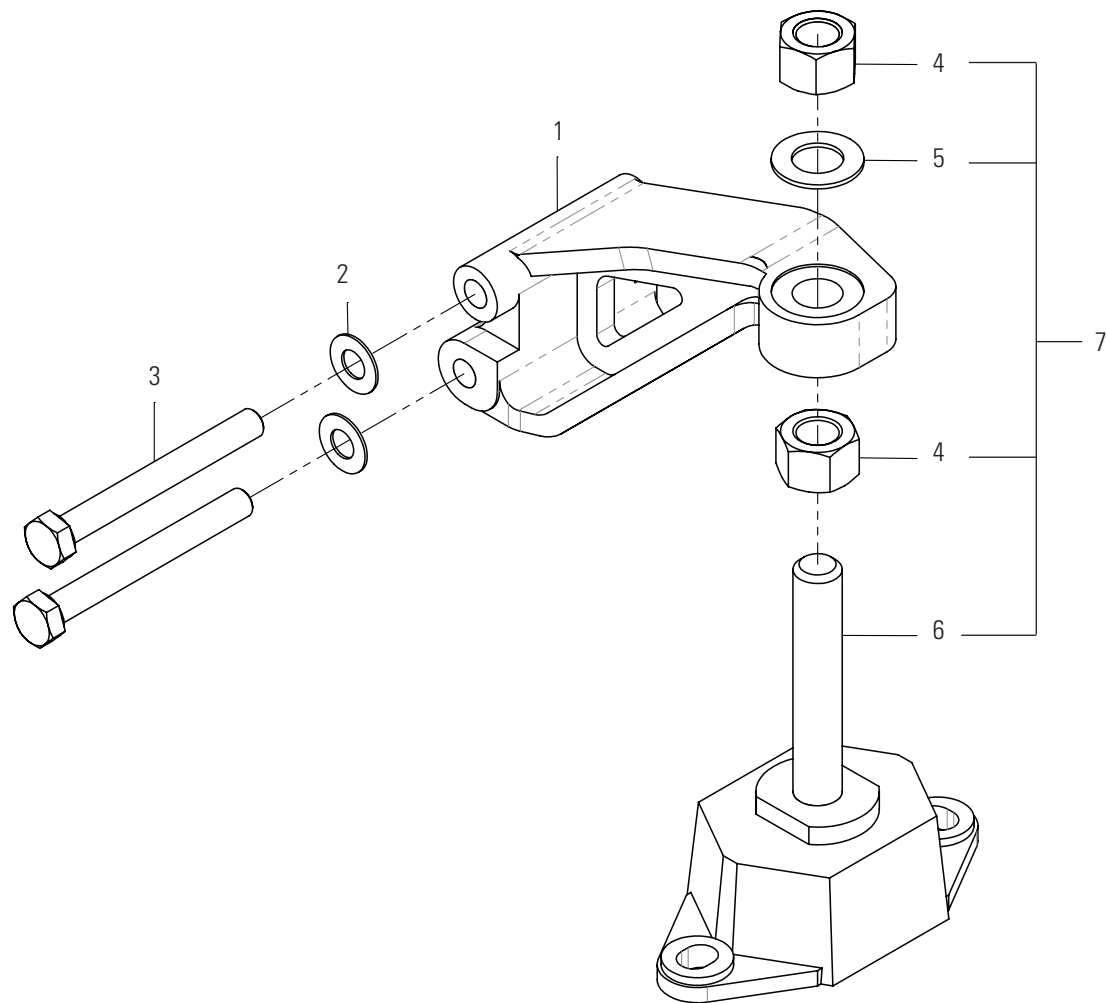
ELECTRONICS

SPARE PARTS

CM2.16

Craftsman
MARINE

1.4 ENGINE SUPPORT



MARINISATION PARTS

MITSUBISHI PARTS

ELECTRONICS

SPARE PARTS

CM2.16

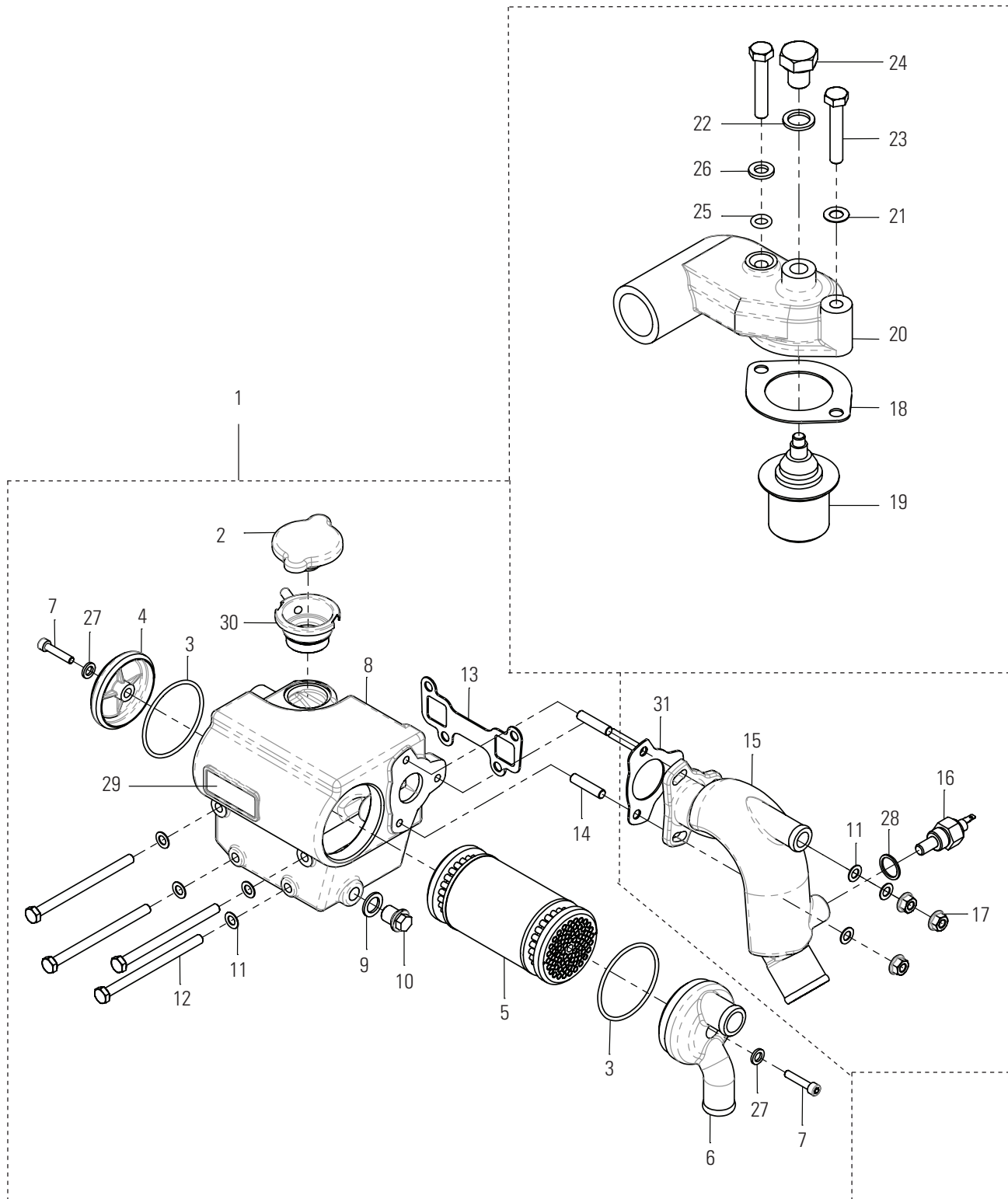
Craftsman
MARINE

1.5 HEAT EXCHANGE

MARINISATION PARTS

MITSUBISHI PARTS

ELECTRONICS

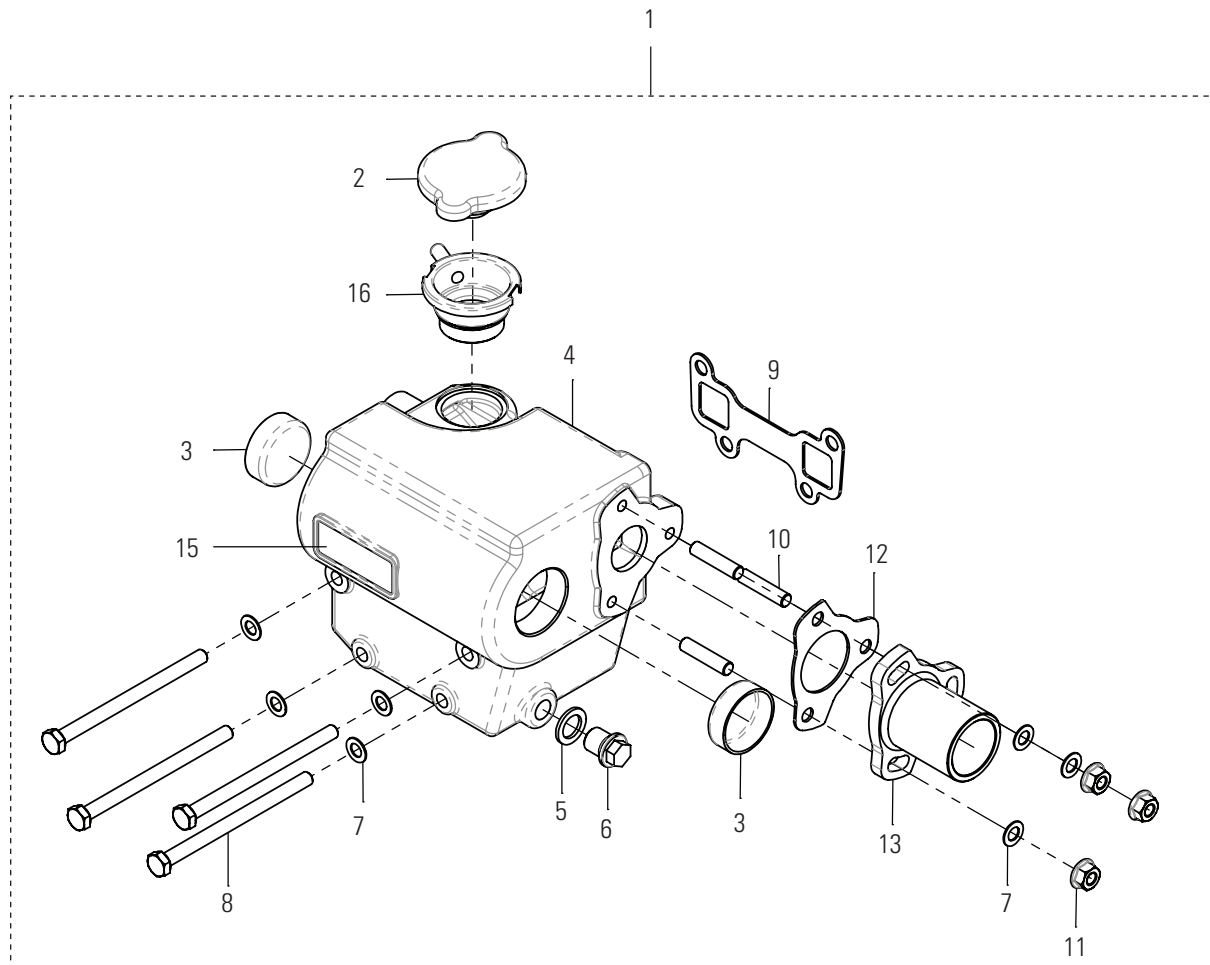


SPARE PARTS

CM2.16

Craftsman
MARINE

1.6 KEELCOOLER MANIFOLD



MARINISATION PARTS

MITSUBISHI PARTS

ELECTRONICS

SPARE PARTS

CM2.16

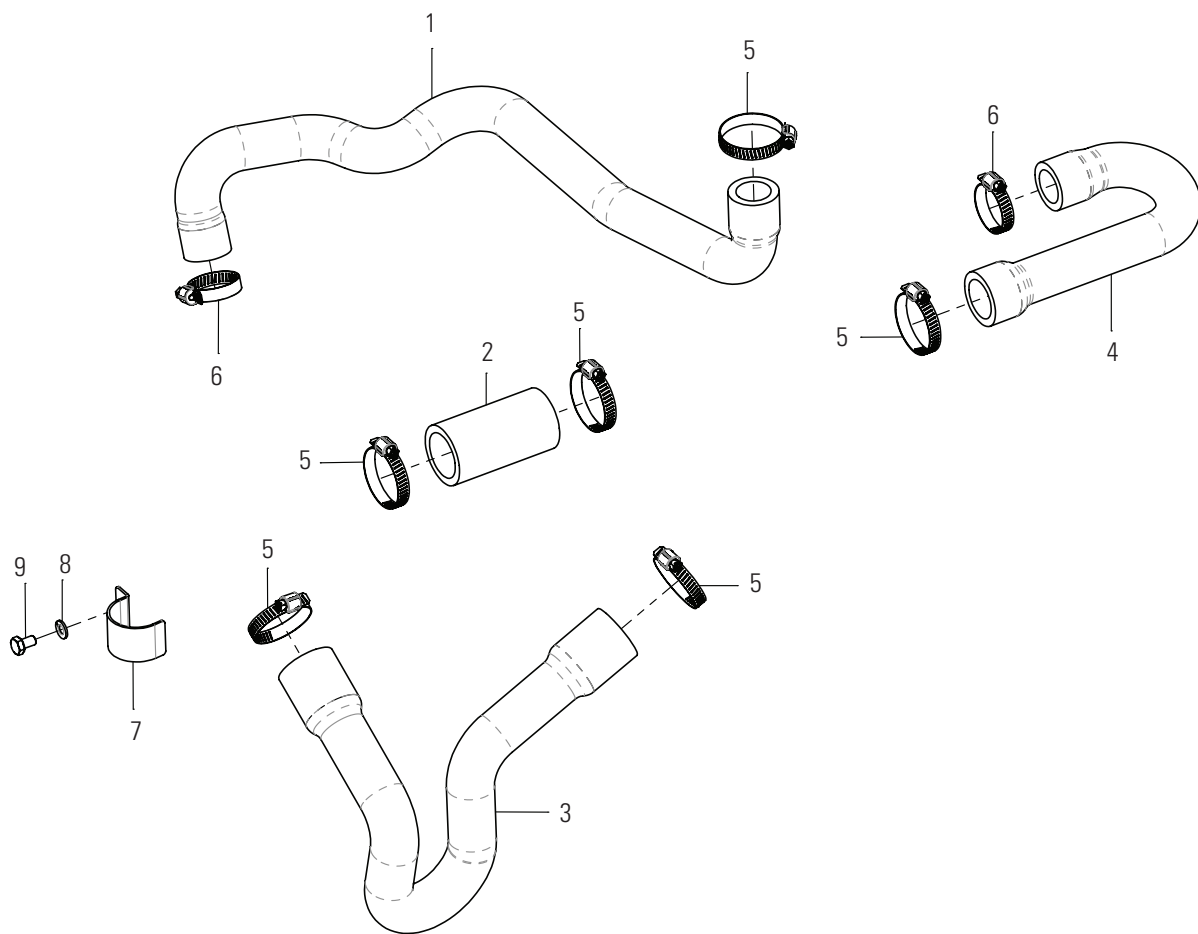
Craftsman
MARINE

1.7 HOSES

MARINISATION PARTS

MITSUBISHI PARTS

ELECTRONICS

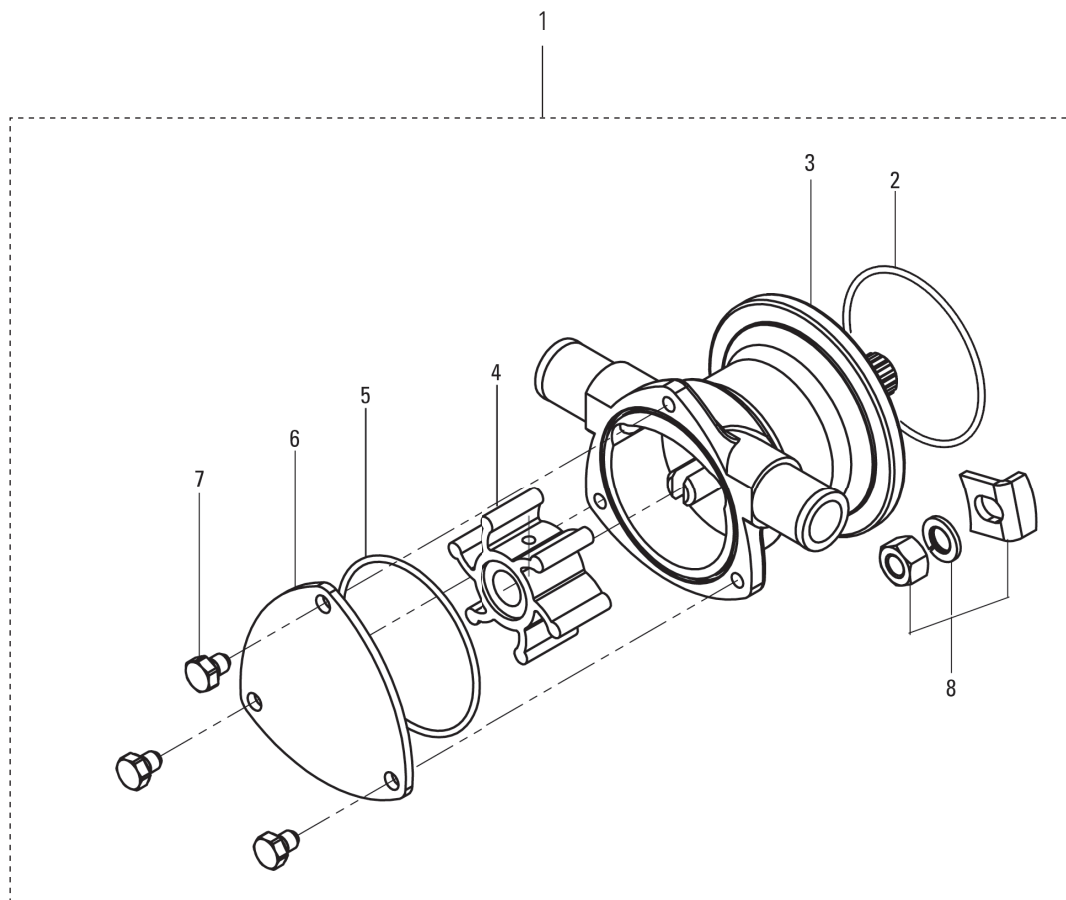


SPARE PARTS

CM2.16

Craftsman
MARINE

1.8 RAW WATER PUMP



MARINISATION PARTS

MITSUBISHI PARTS

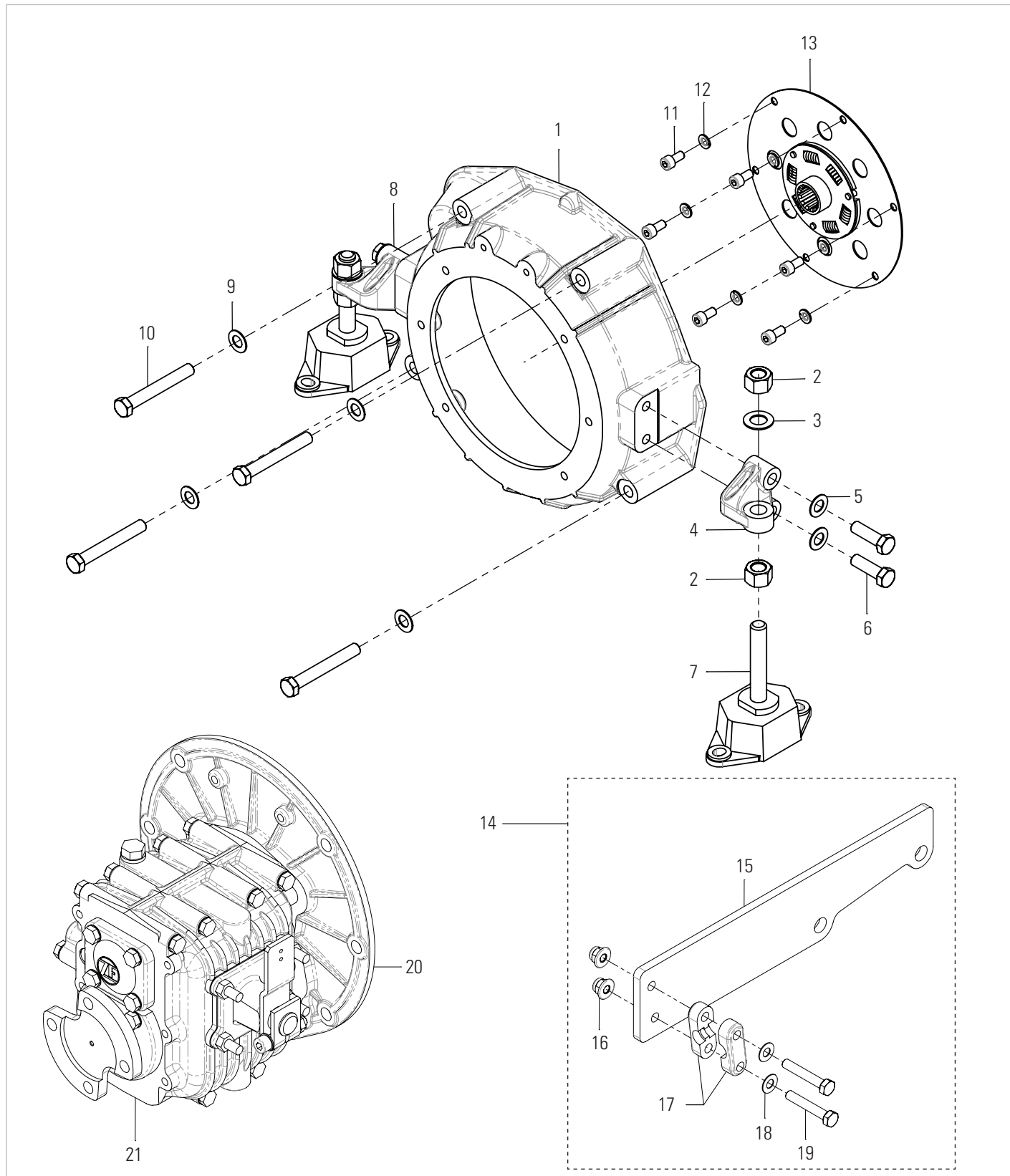
ELECTRONICS

SPARE PARTS

CM2.16

Craftsman
MARINE

1.9 FLYWHEEL HOUSING



MARINISATION PARTS

MITSUBISHI PARTS

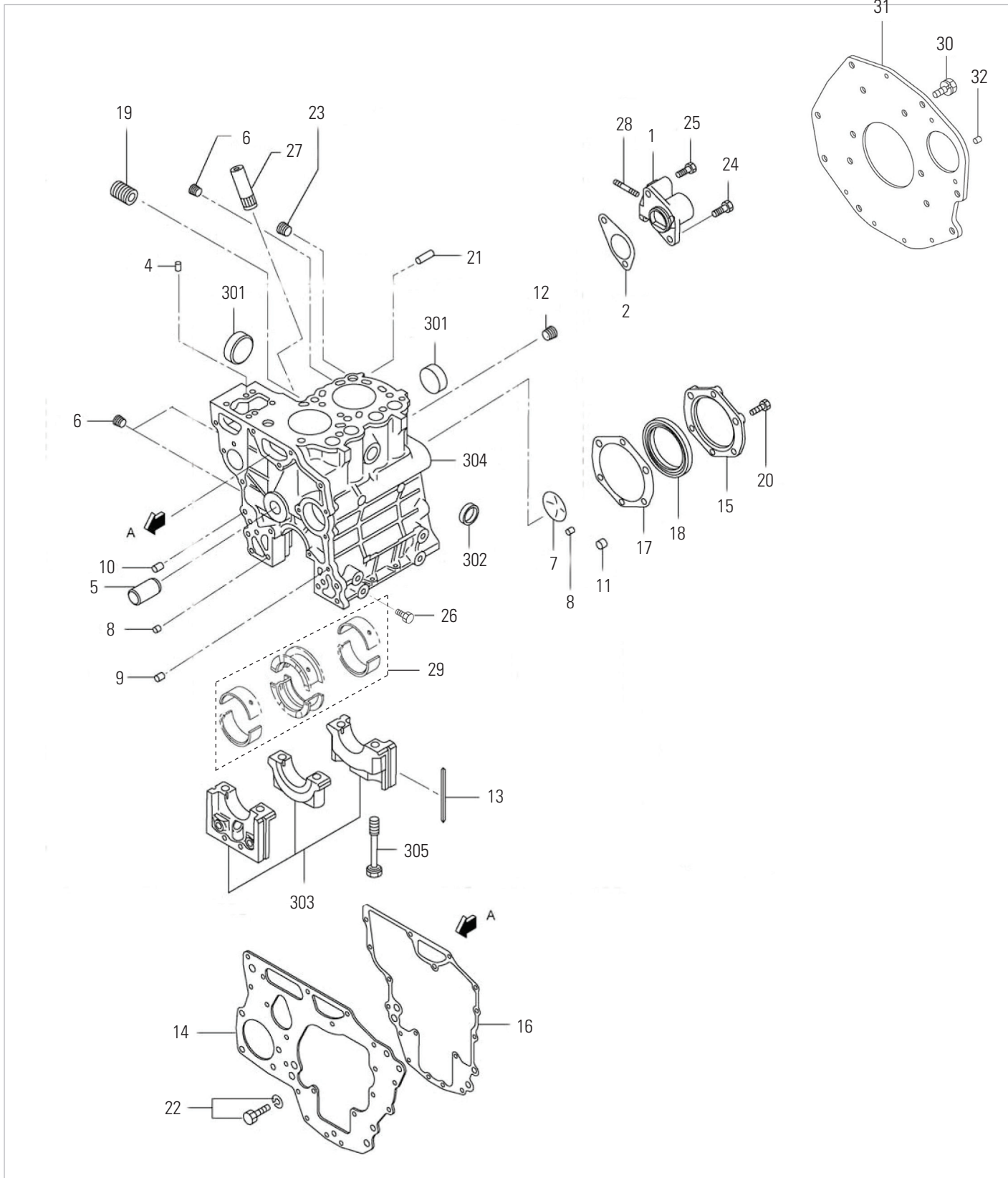
ELECTRONICS

SPARE PARTS

CM2.16

Craftsman
MARINE

2.1 CRANK CASE



MARINISATION PARTS

MITSUBISHI PARTS

ELECTRONICS

SPARE PARTS

CM2.16

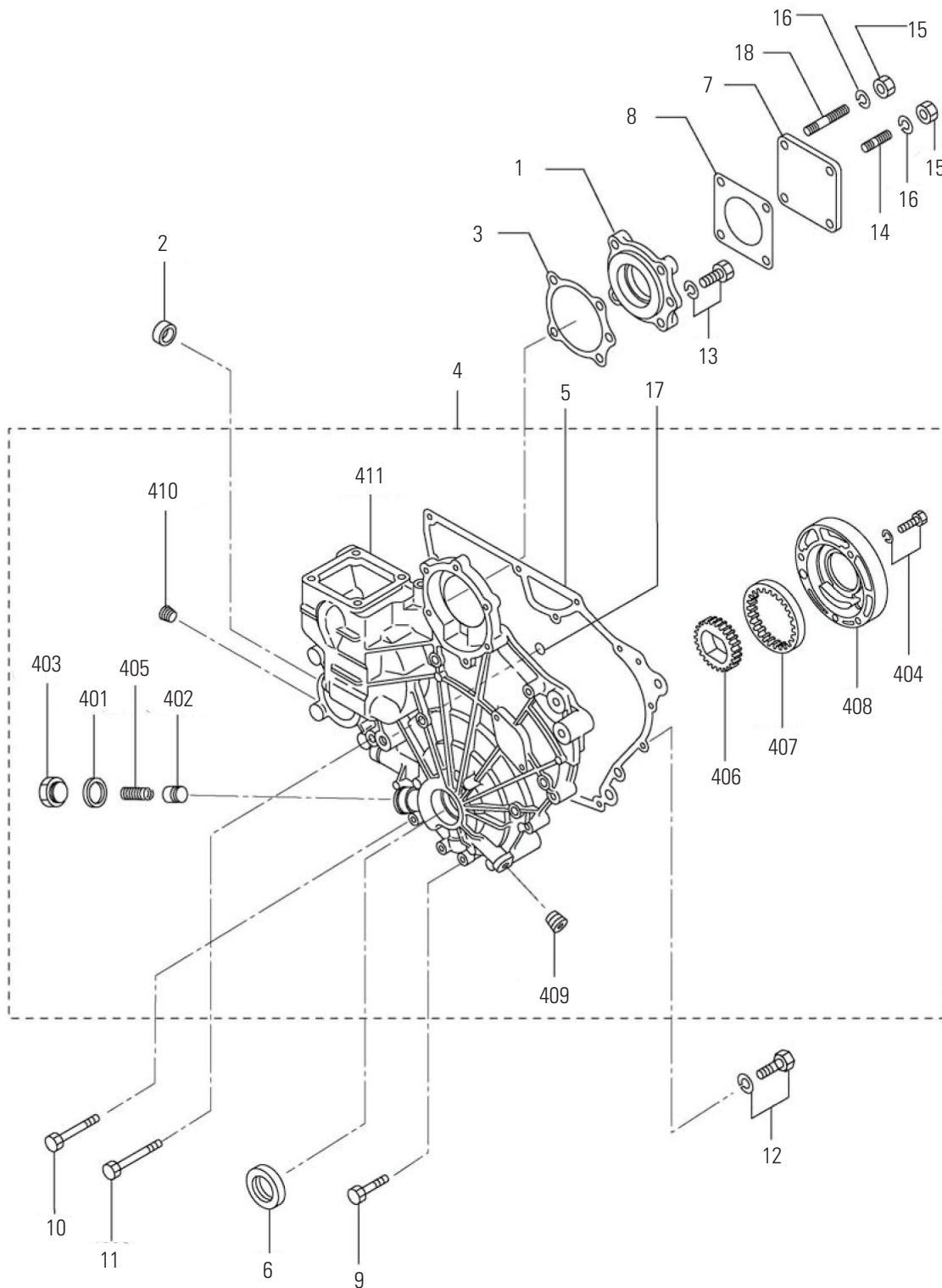
Craftsman
MARINE

2.2 TIMING GEAR & CASE

MARINISATION PARTS

MITSUBISHI PARTS

ELECTRONICS



SPARE PARTS

CM2.16

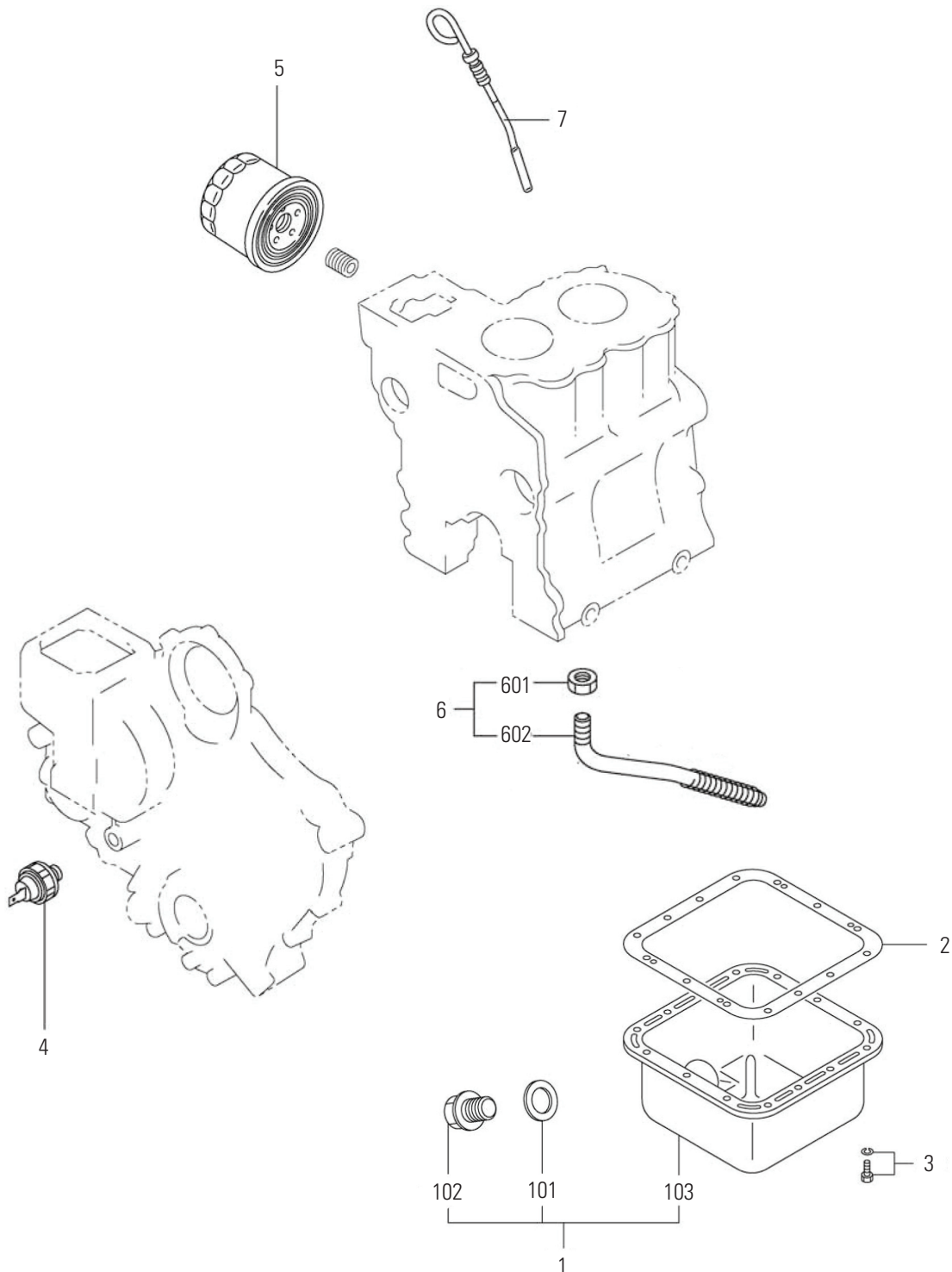
Craftsman
MARINE

2.3 OIL SUMP

MARINISATION PARTS

MITSUBISHI PARTS

ELECTRONICS



SPARE PARTS

CM2.16

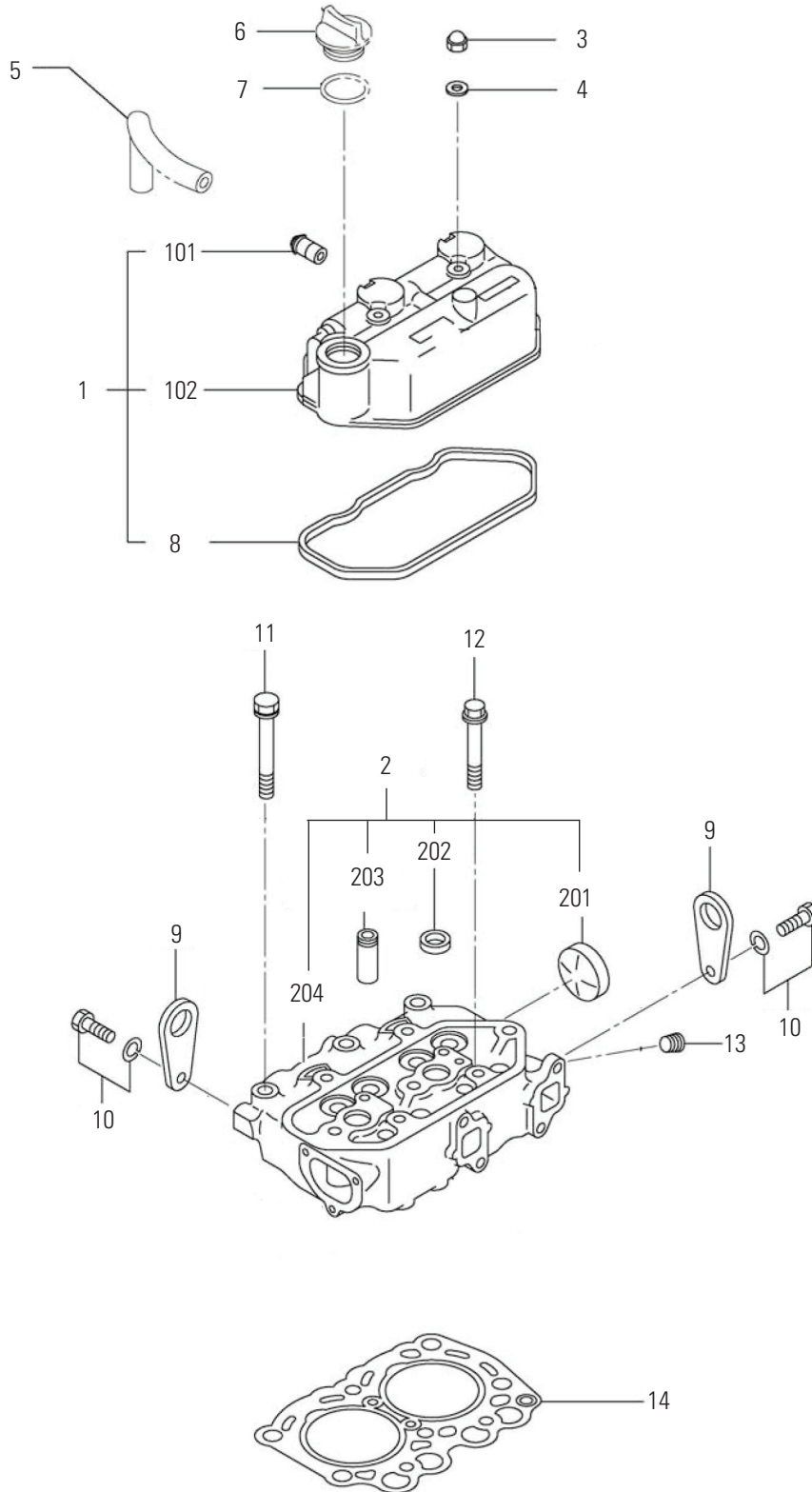
Craftsman
MARINE

2.4 CYLINDER HEAD

MARINISATION PARTS

MITSUBISHI PARTS

ELECTRONICS

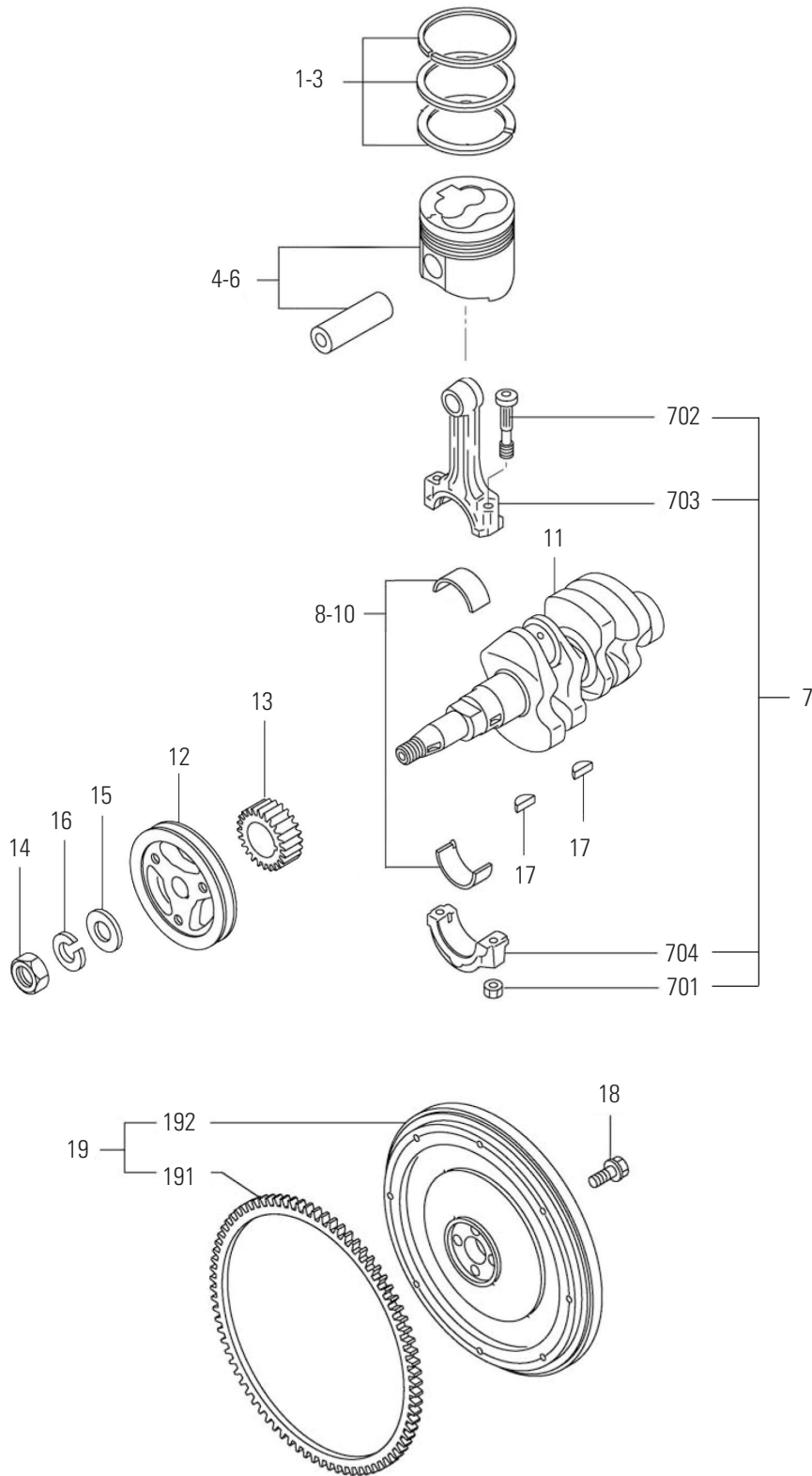


SPARE PARTS

CM2.16

Craftsman
MARINE

2.5 CRANKCASE & FLYWHEEL



MARINISATION PARTS

MITSUBISHI PARTS

ELECTRONICS

SPARE PARTS

CM2.16

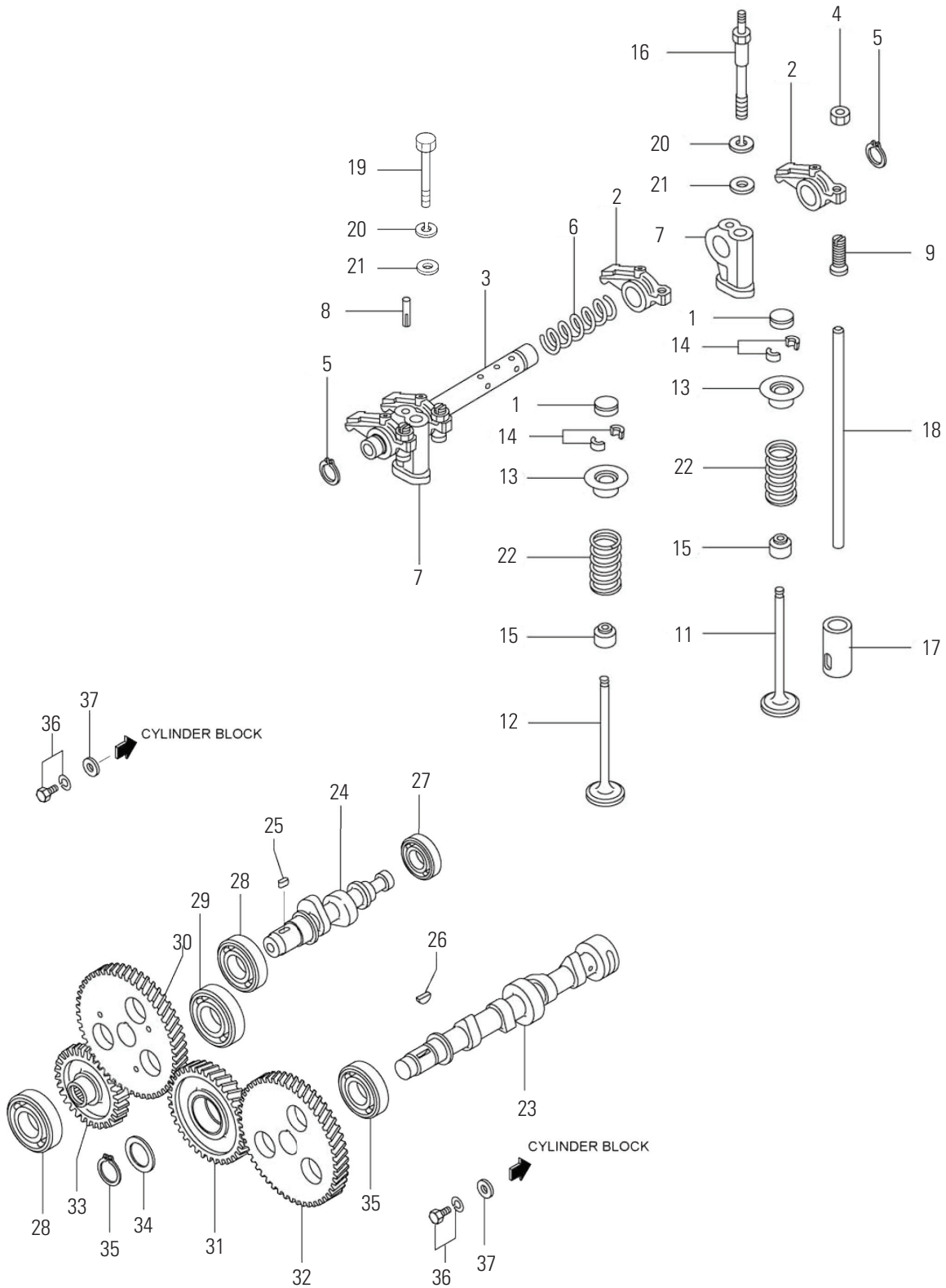
Craftsman
MARINE

2.6 CAMSHAFT & VALVE DRIVE

MARINISATION PARTS

MITSUBISHI PARTS

ELECTRONICS

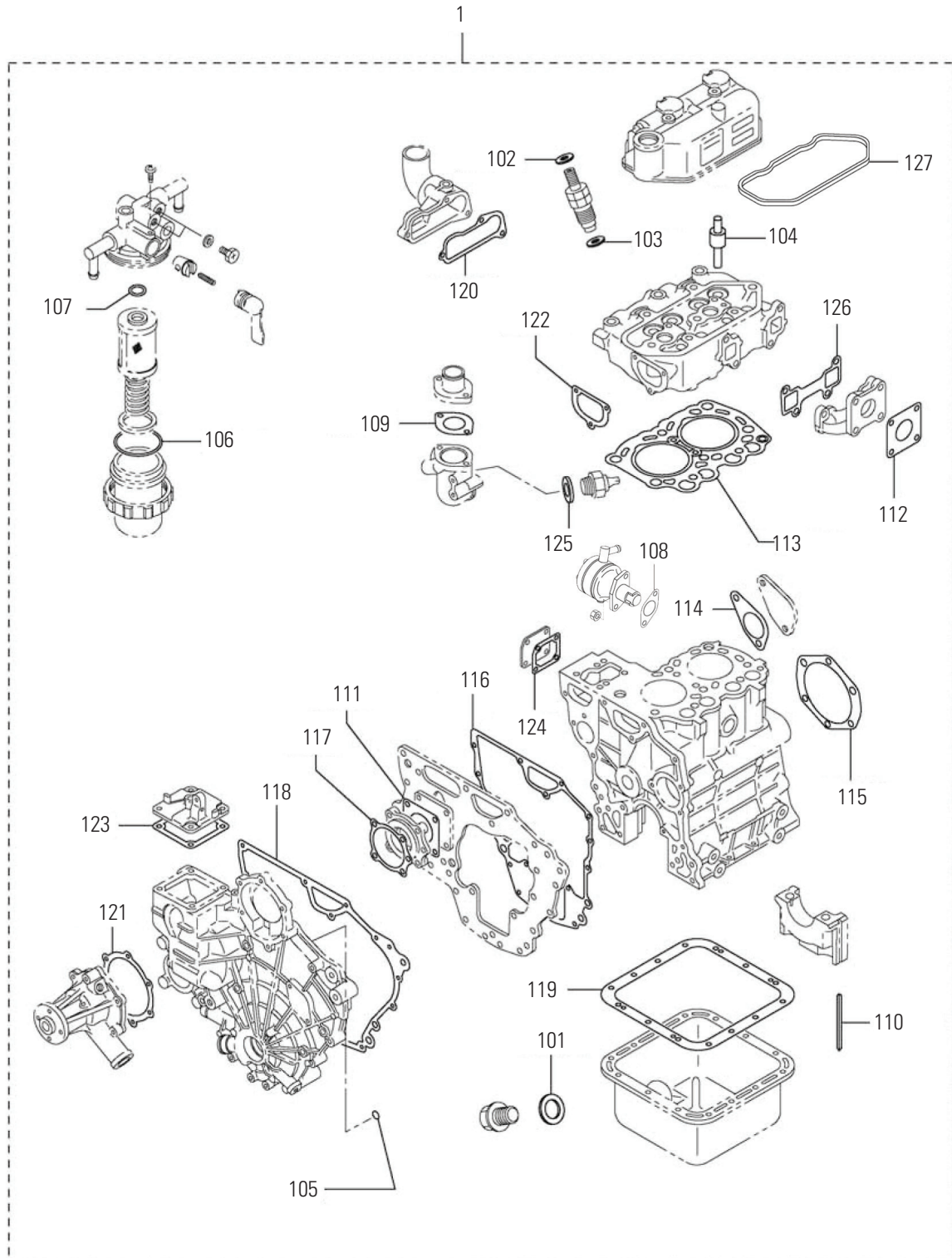


SPARE PARTS

CM2.16

Craftsman
MARINE

2.7 GASKET KIT



MARINISATION PARTS

MITSUBISHI PARTS

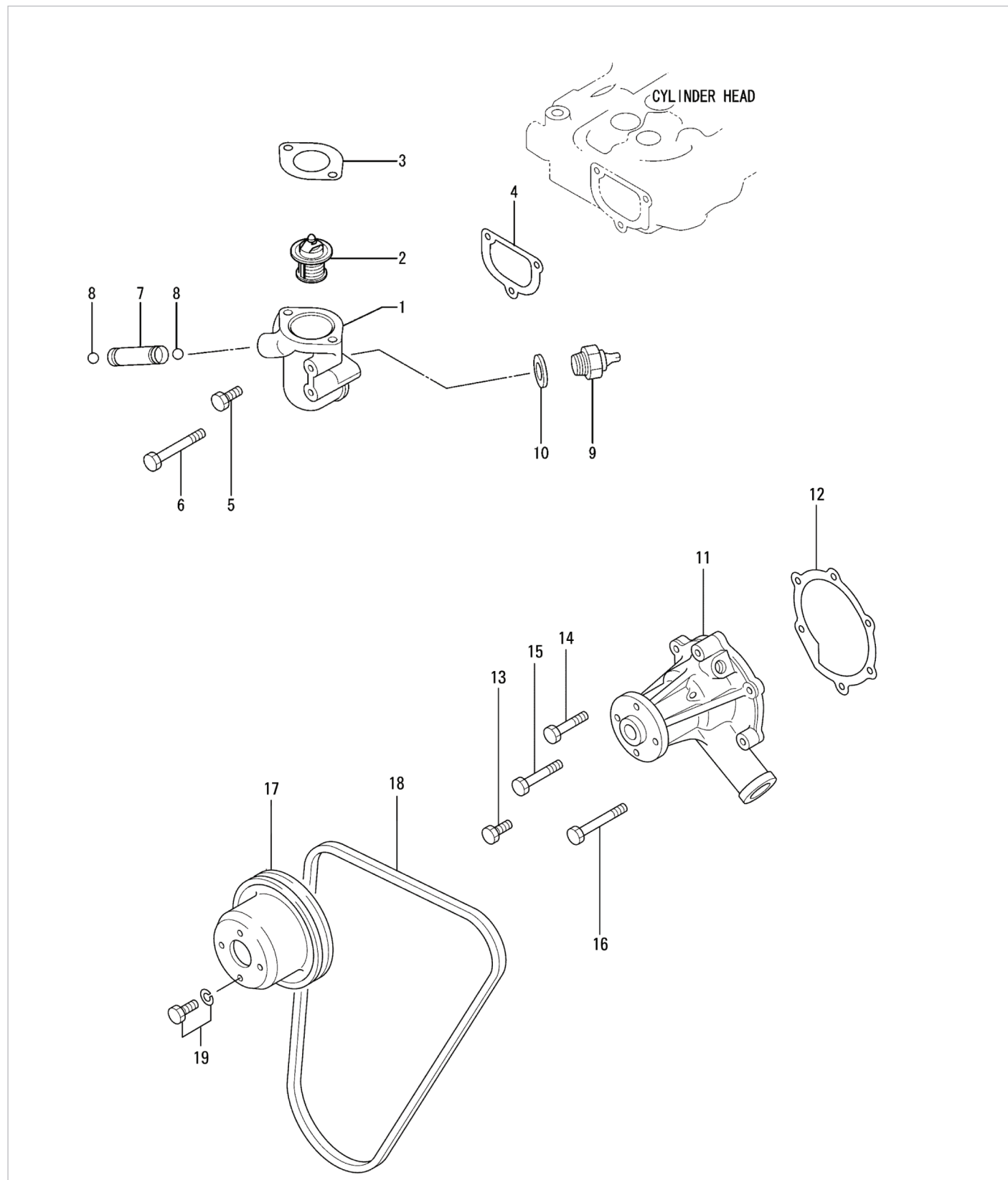
ELECTRONICS

SPARE PARTS

CM2.16

Craftsman
MARINE

2.8 CIRCULATION PUMP & THERMOSTAT



MARINISATION PARTS

MITSUBISHI PARTS

ELECTRONICS

SPARE PARTS

CM2.16

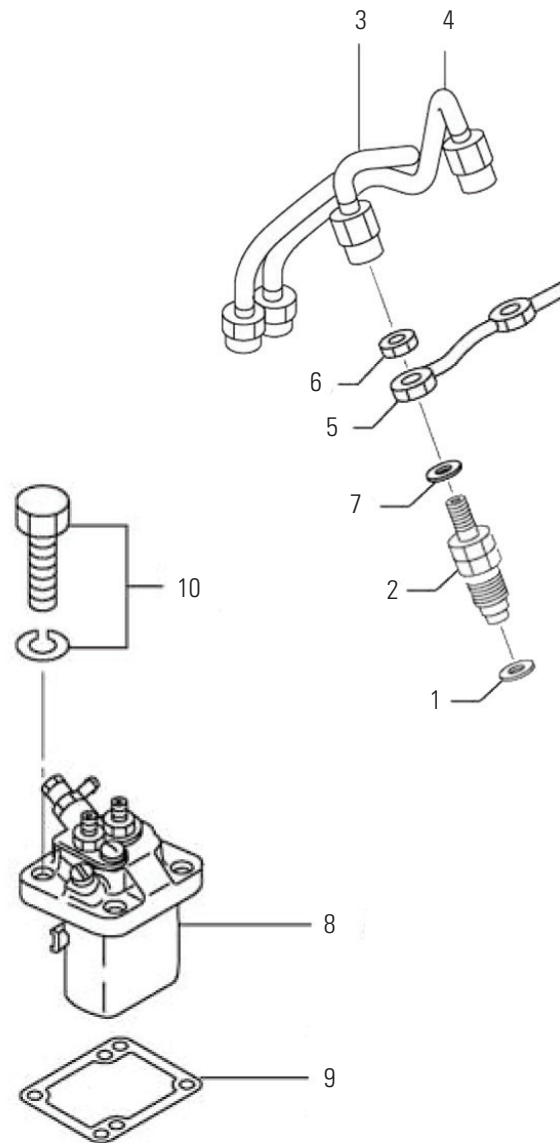
Craftsman
MARINE

2.9 FUEL SYSTEM

MARINISATION PARTS

MITSUBISHI PARTS

ELECTRONICS

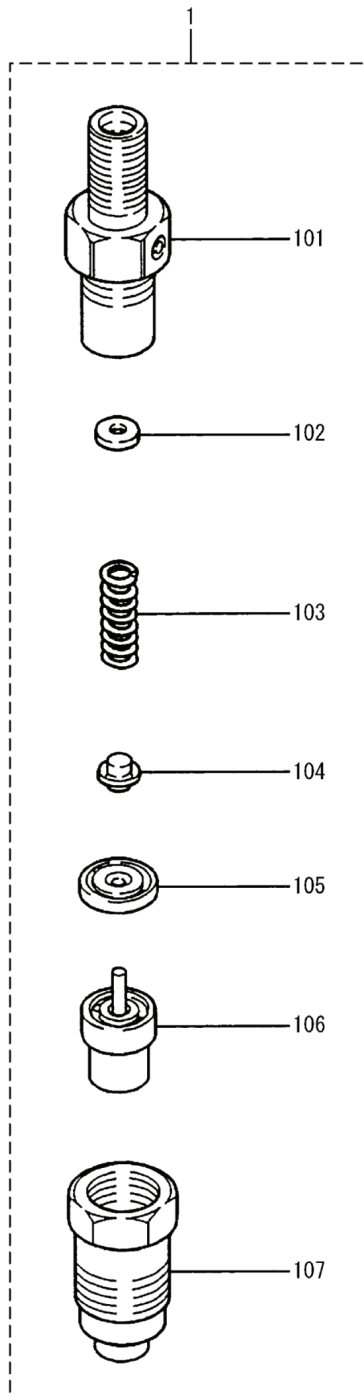


SPARE PARTS

CM2.16

Craftsman
MARINE

2.10 NOZZLE HOLDER



MARINISATION PARTS

MITSUBISHI PARTS

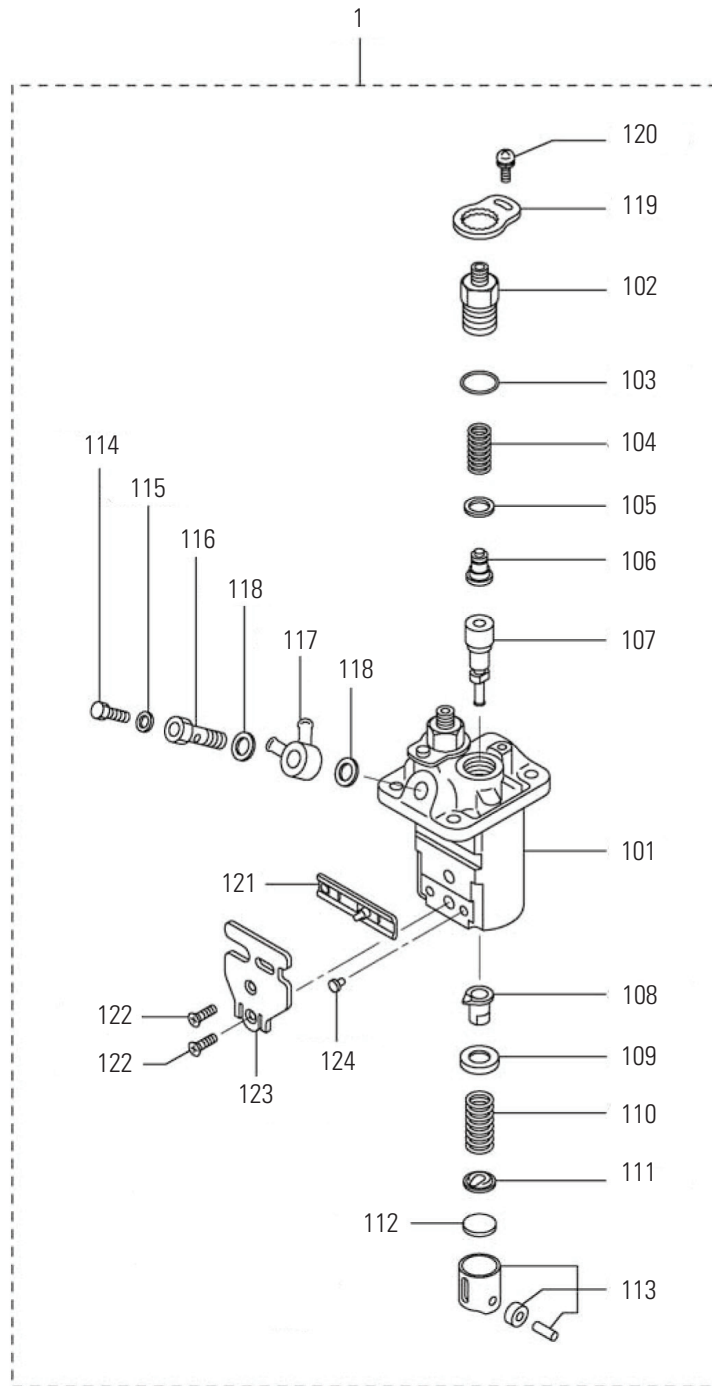
ELECTRONICS

SPARE PARTS

CM2.16

Craftsman
MARINE

2.11 FUEL PUMP



MARINISATION PARTS

MITSUBISHI PARTS

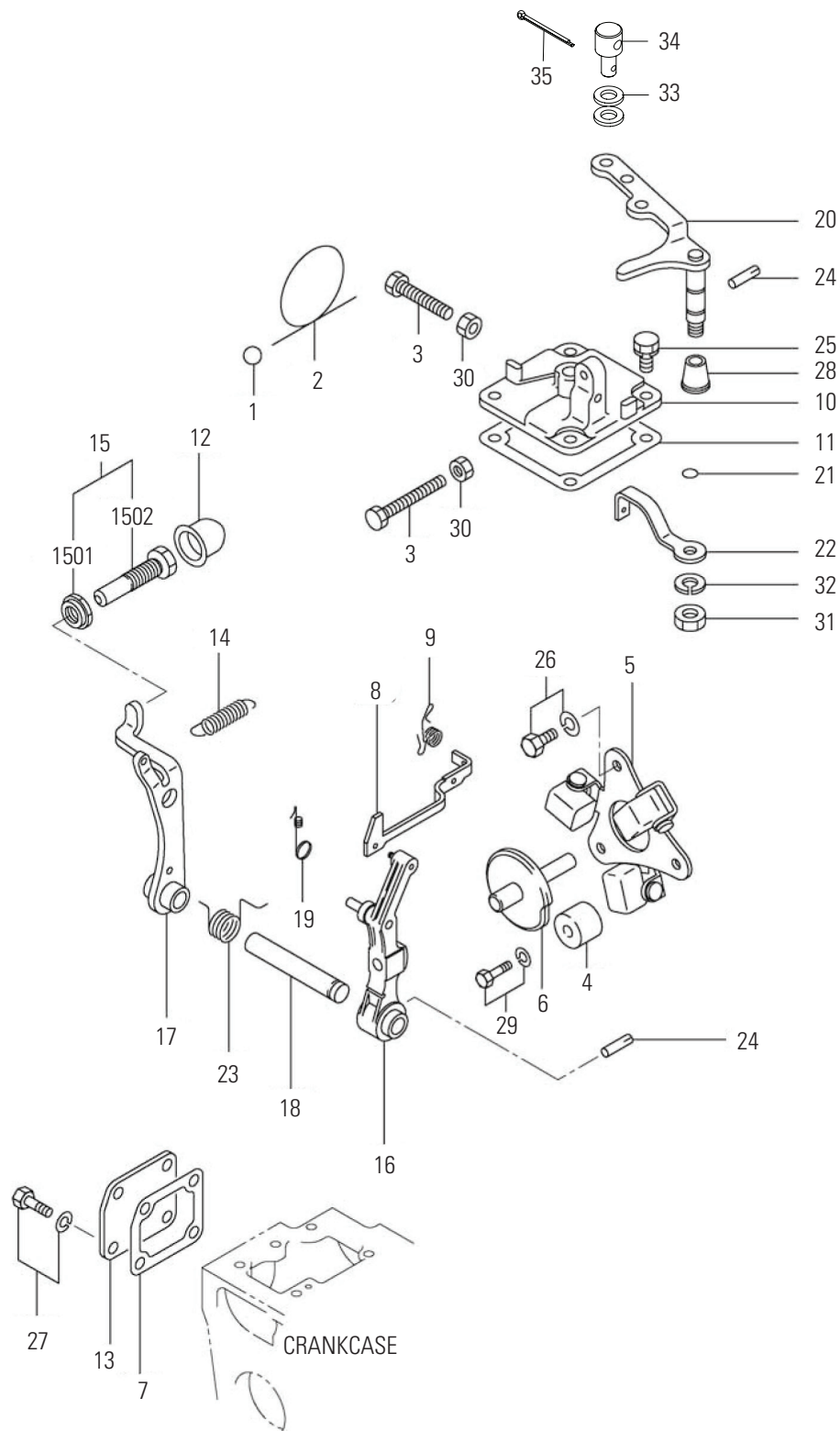
ELECTRONICS

SPARE PARTS

CM2.16

Craftsman
MARINE

2.12 REGULATOR



MARINISATION PARTS

MITSUBISHI PARTS

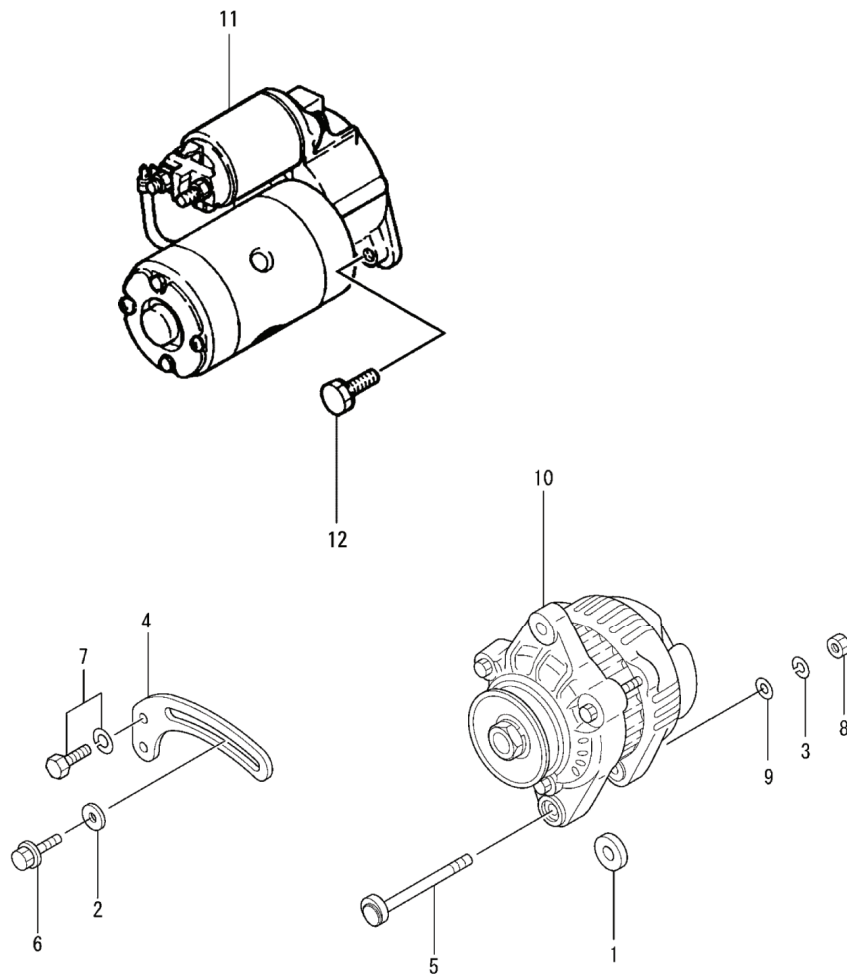
ELECTRONICS

SPARE PARTS

CM2.16

Craftsman
MARINE

3.1 ALTERNATOR & STARTER



MARINISATION PARTS

MITSUBISHI PARTS

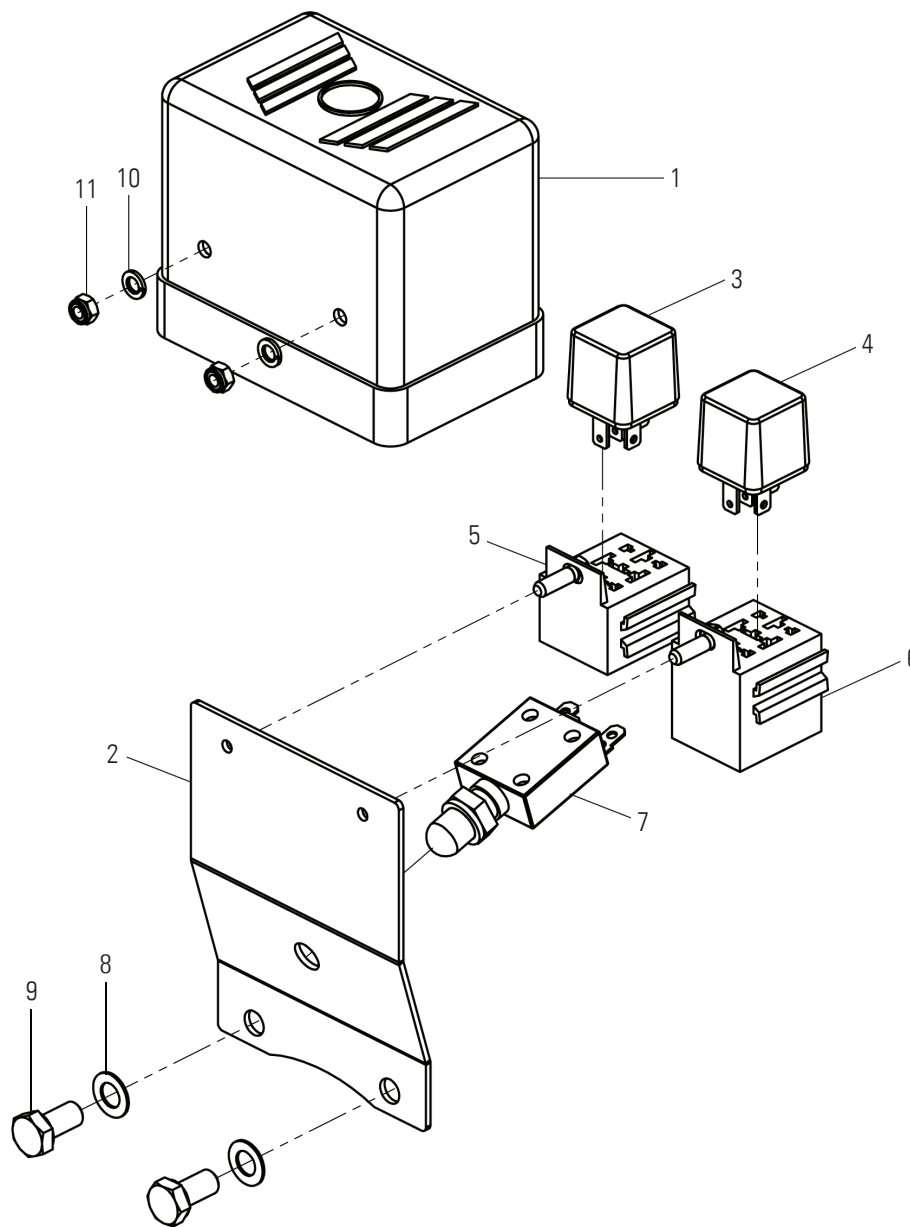
ELECTRONICS

SPARE PARTS

CM2.16

Craftsman
MARINE

3.2 TERMINAL BOX



MARINISATION PARTS

MITSUBISHI PARTS

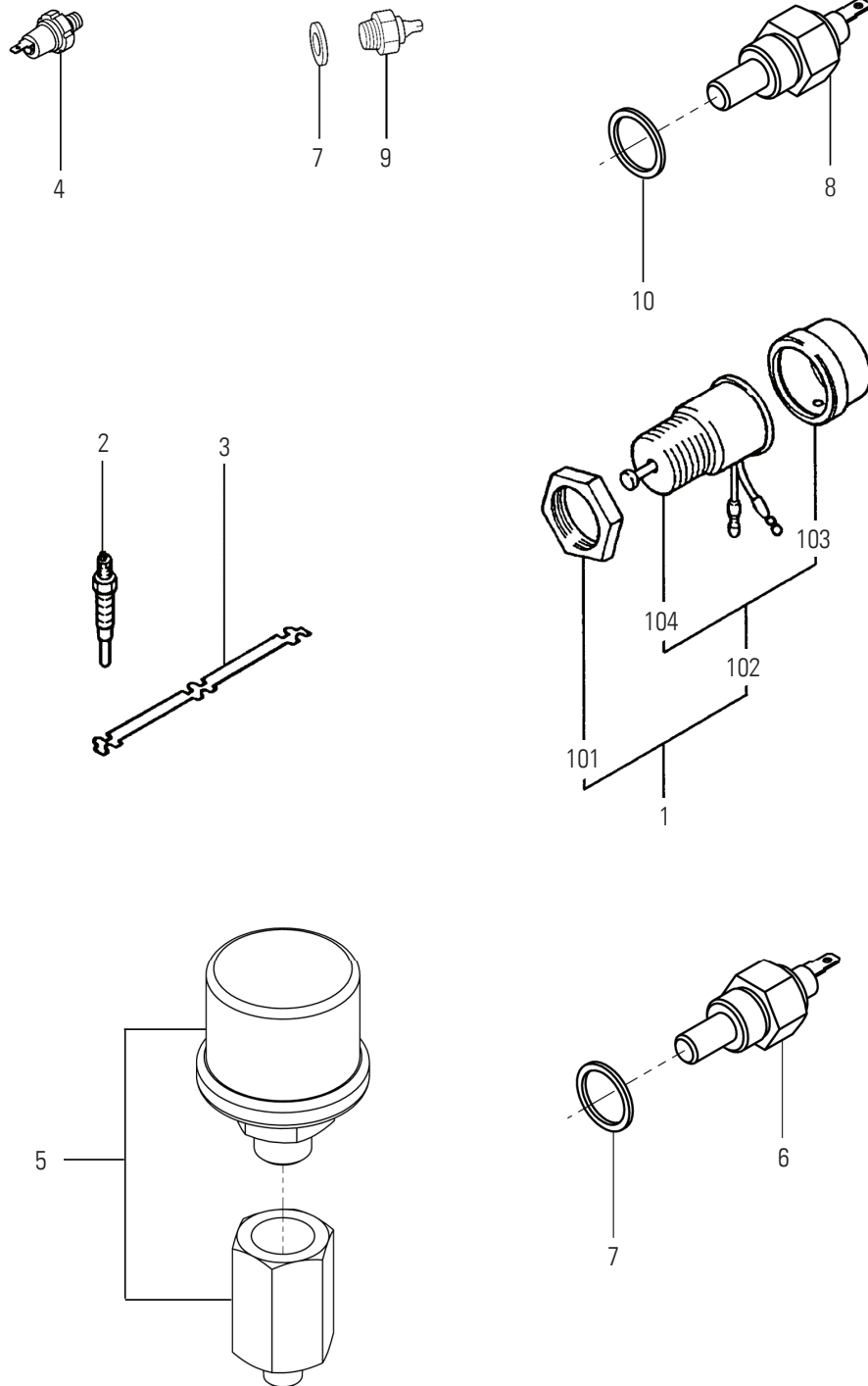
ELECTRONICS

SPARE PARTS

CM2.16

Craftsman
MARINE

3.3 SENSORS



MARINISATION PARTS

MITSUBISHI PARTS

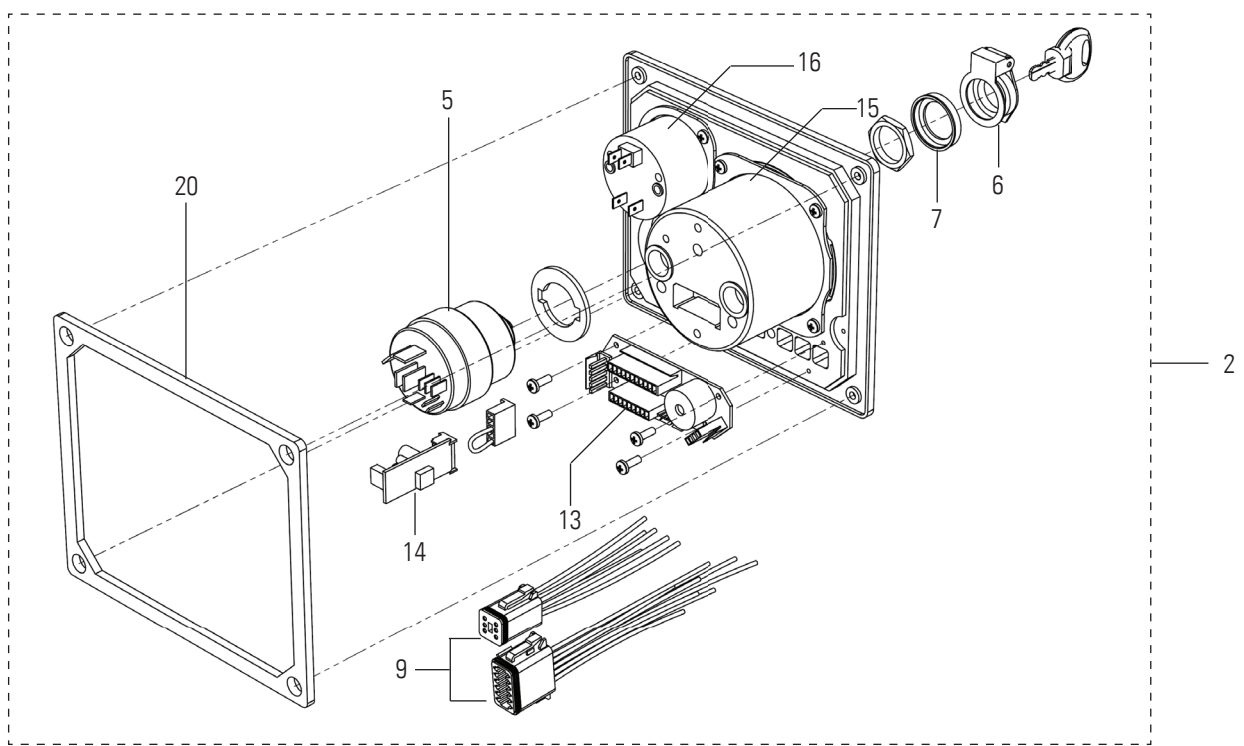
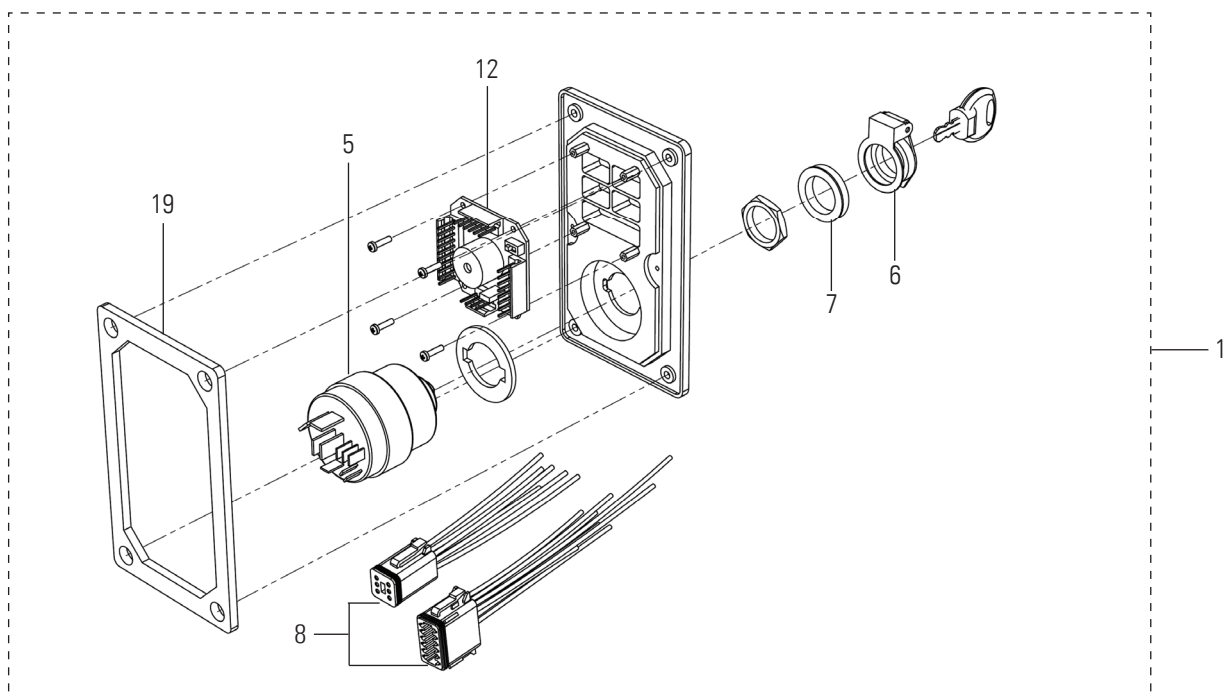
ELECTRONICS

3.4 INSTRUMENT PANEL

MARINISATION PARTS

MITSUBISHI PARTS

ELECTRONICS



SPARE PARTS

CM2.16



3.4 INSTRUMENT PANEL

Pos.	Qty	Part	Description	Comment
1	1	AB.010.20000	ALFA 10E ENGINE PANEL COMPLETE	
2	1	AB.020.20000	ALFA 20E ENGINE PANEL COMPLETE	
3	1	AB.030.20000	ALFA 30E ENGINE PANEL COMPLETE	
4	1	AB.040.20000	ALFA 40E ENGINE PANEL COMPLETE	
5	1	AB.010.90001	IGNITION SWITCH COMPLETE	
6	1	AB.010.90002	DUSTCOVER	
7	1	AB.010.90003	CAP	
8	1	AB.010.00002	WIRING LOOM ALFA 10E	
9	1	AB.020.00002	WIRING LOOM ALFA 20E	
10	1	AB.030.00002	WIRING LOOM ALFA 30E	
11	1	AB.040.00002	WIRING LOOM ALFA 40E	NOT SHOWN
12	1	AB.010.00003	PCB ALFA 10E	
13	1	AB.020.00003	PCB ALFA 20E/ALFA 30E/ALFA 40E	
14	1	AB.010.00004	DIMMER PCB	
15	1	DB.010.20001	TACHOMETER, BLACK	
		DB.010.21001	TACHOMETER, WHITE	
16	1	DB.010.20004	VOLTMETER, BLACK	
		DB.010.21004	VOLTMETER, WHITE	
17	1	DB.010.20003	TEMPERATURE GAUGE, BLACK	
		DB.010.21003	TEMPERATURE GAUGE, WHITE	
18	1	DB.010.20002	OIL PRESSURE GAUGE, BLACK	
		DB.010.21002	OIL PRESSURE GAUGE, WHITE	
19	1	AB.010.00004	GASKET ALFA 10E	
20	1	AB.020.00004	GASKET ALFA 20E	
21	1	AB.030.00004	GASKET ALFA 30E	
22	1	AB.040.00004	GASKET ALFA 40E	
23	1	AA.300.90149	MOUNTING SET ALFA 10/20/30	NOT SHOWN
24	1	AA.300.90150	MOUNTING SET ALFA 40	
25	1	AA.300.90151	FRONT STICKER ALFA 10	NOT SHOWN
		AA.300.90152	FRONT STICKER ALFA 20	NOT SHOWN
		AA.300.90153	FRONT STICKER ALFA 30	NOT SHOWN
		AA.300.90154	FRONT STICKER ALFA 40	NOT SHOWN
26	1	AA.300.90155	ALUMINIUM FRONT ALFA 40	

MARINISATION PARTS

MITSUBISHI PARTS

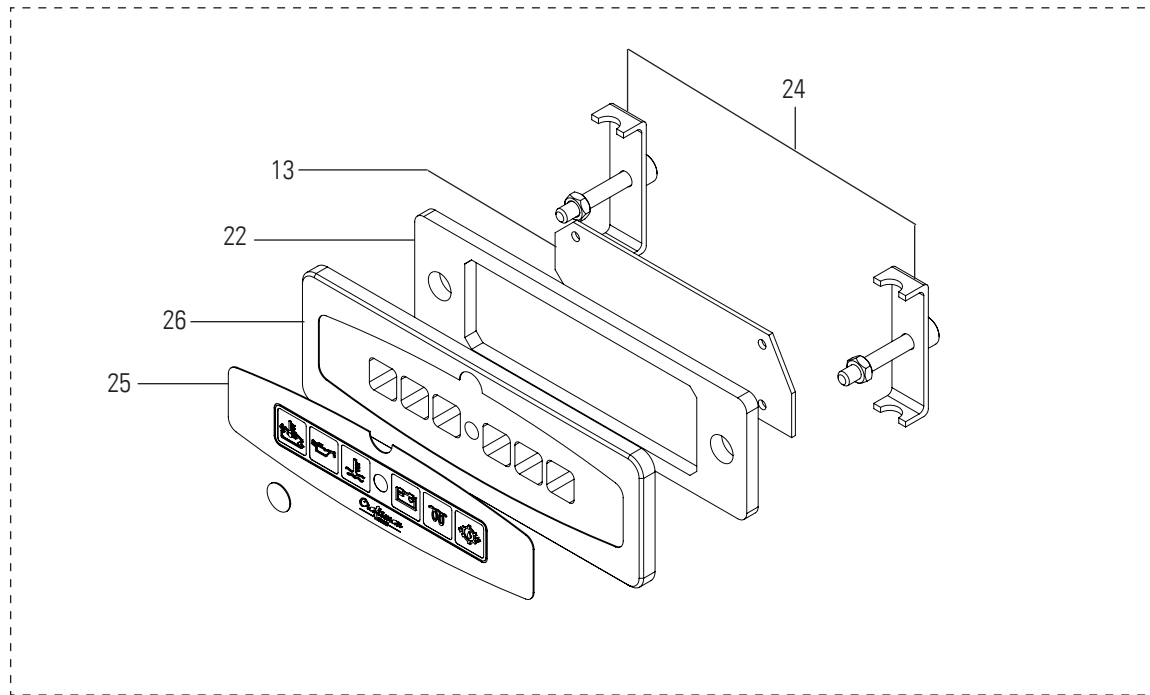
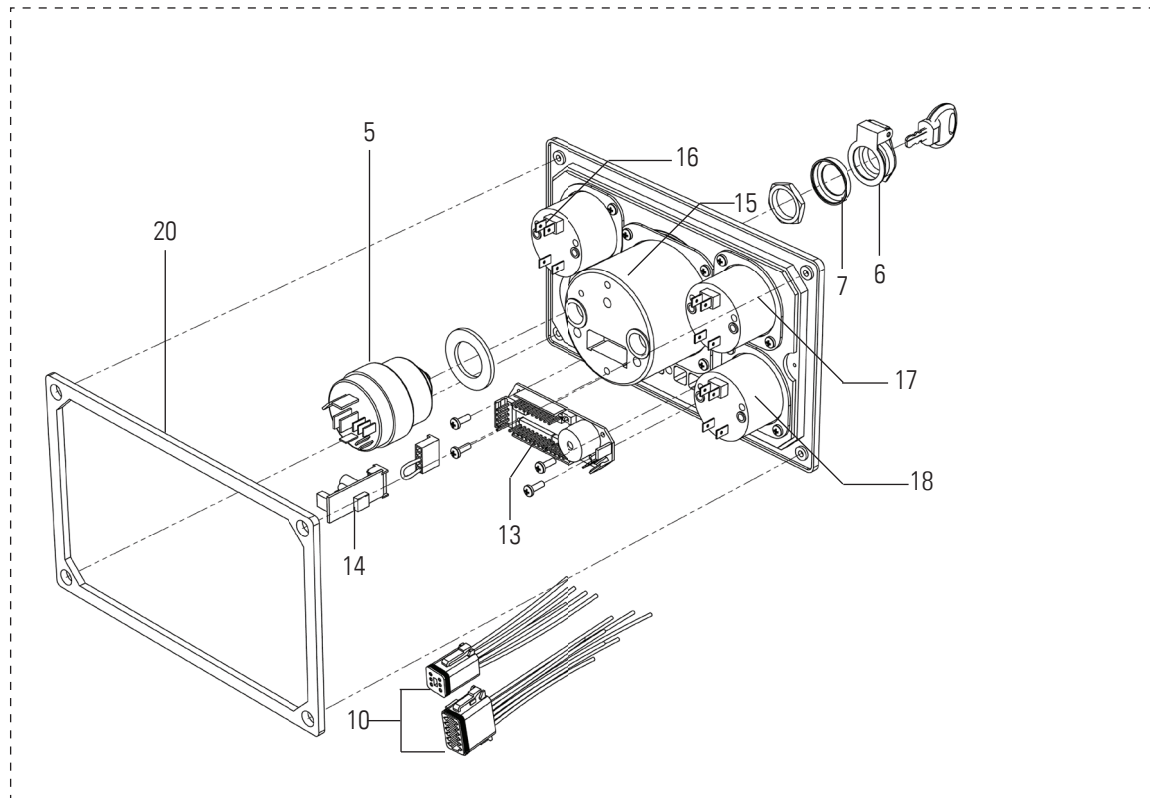
ELECTRONICS

SPARE PARTS

CM2.16

Craftsman
MARINE

3.4 INSTRUMENT PANEL



MARINISATION PARTS

MITSUBISHI PARTS

ELECTRONICS





info@craftsmanmarine.com
www.craftsmanmarine.com

Printed in the Netherlands

CRAFTED WITH CRAFTSMAN MARINE