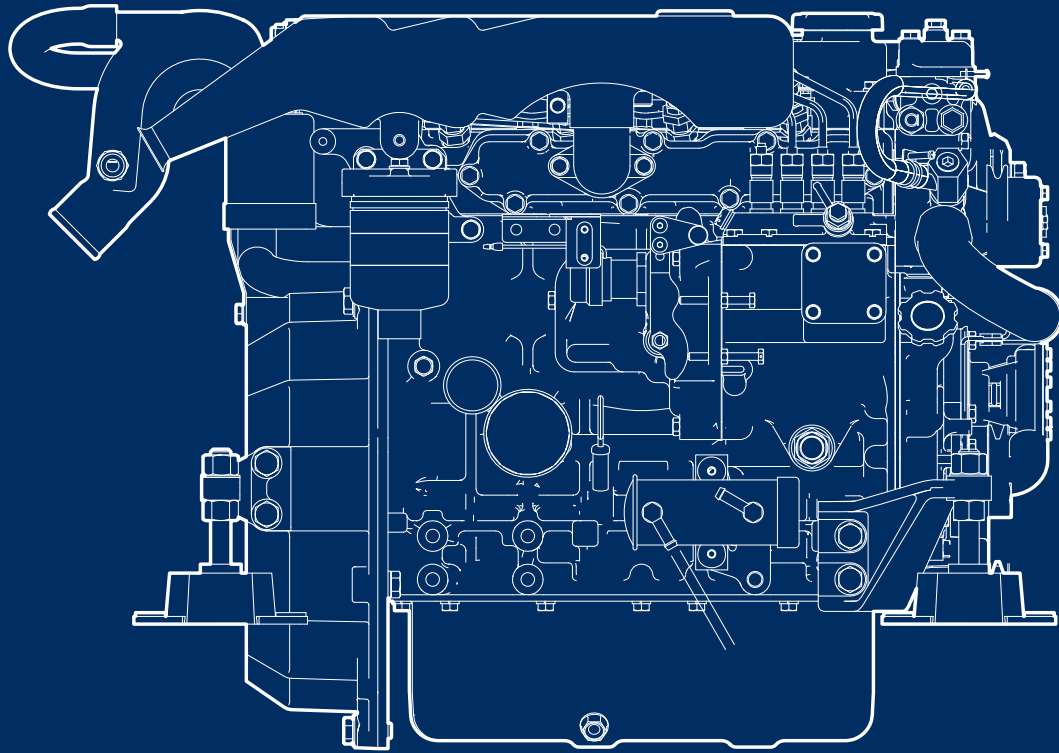




Craftsman
MARINE



SPARE PARTS

CATALOGUE **CM 4.33 / CM 4.42**

CRAFTED WITH CRAFTSMAN MARINE

PROPULSION

DISCLAIMER

The specifications and the descriptions in this spareparts book were correct at the time of going to press. However, Craftsman Marine is continuously striving after the improvement of its products and therefore reserves the right to modify – at all times and without prior notification - product specifications and instruction manuals.

1.0 MARINISATION PARTS

1.1 SPARES SET	PAGE 4
1.2 AIR INTAKE	PAGE 6
1.3 AUXILIARY FUELPUMP & FILTER	PAGE 8
1.4 FLYWHEEL HOUSING	PAGE 10
1.5 ENGINE SUPPORT	PAGE 12
1.6 HEAT EXCHANGER	PAGE 14
1.7 KEELCOOLER MANIFOLD	PAGE 16
1.8 THERMOSTAT	PAGE 18
1.9 HOSES	PAGE 20
1.10 RAW WATER PUMP	PAGE 22

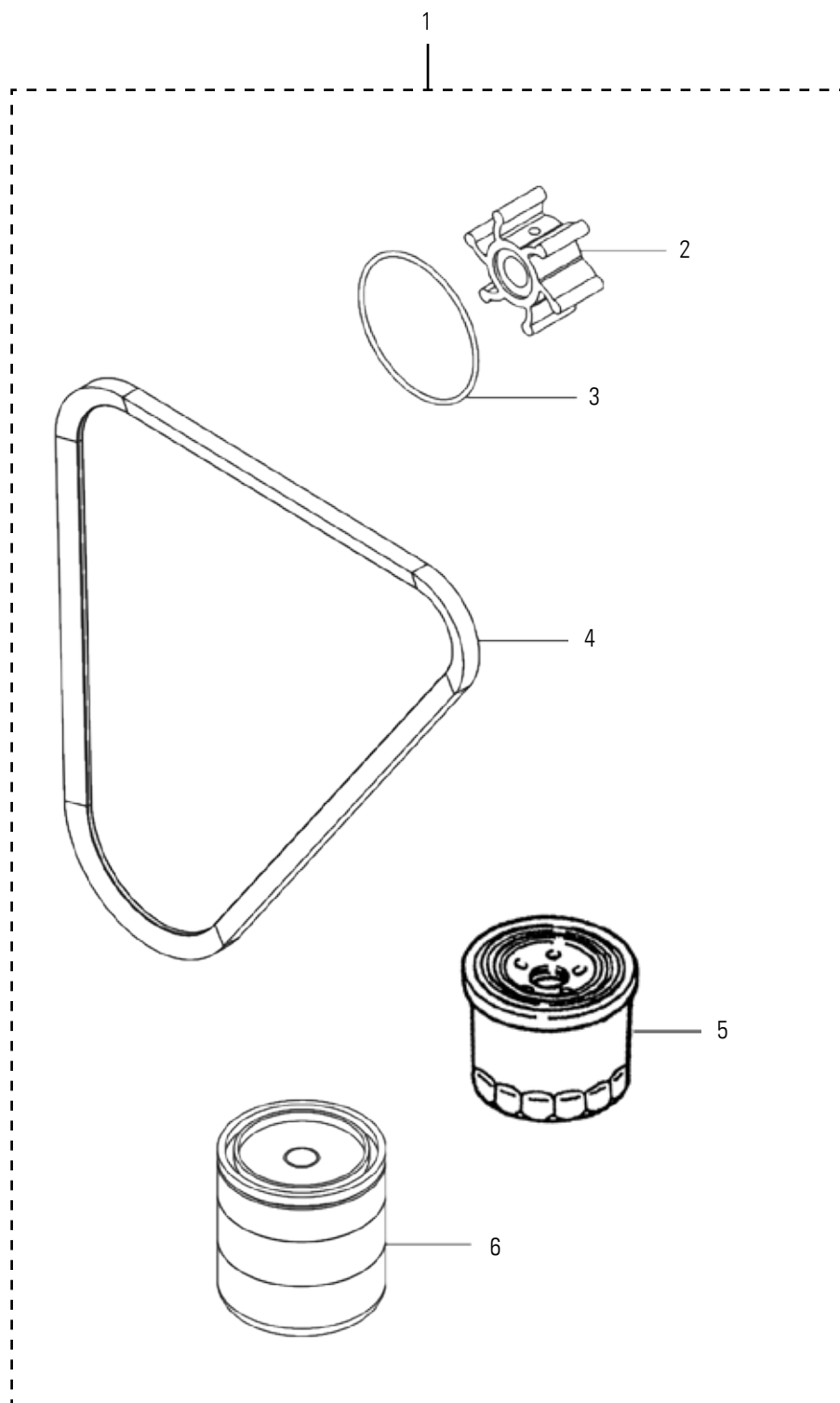
2.0 MITSUBISHI PARTS

2.1 CIRCULATION PUMP & THERMOSTAT	PAGE 24
2.2 CRANKCASE ASSY	PAGE 26
2.3 CRANKCASE	PAGE 28
2.4 OIL PAN & OIL PUMP	PAGE 30
2.5 CILINDER HEAD	PAGE 32
2.6 CRANKSHAFT & FLYWHEEL	PAGE 34
2.7 ROCKER COVER & CAMSHAFT	PAGE 36
2.8 TIMING GEAR & CASE	PAGE 38
2.9 GOVERNOR	PAGE 40
2.10 FUEL SYSTEM	PAGE 42
2.11 FUEL INJECTION PUMP DRIVE	PAGE 44
2.12 INJECTION PUMP	PAGE 46
2.13 NOZZLE & NOZZLE HOLDER	PAGE 48
2.14 GASKET KIT	PAGE 50

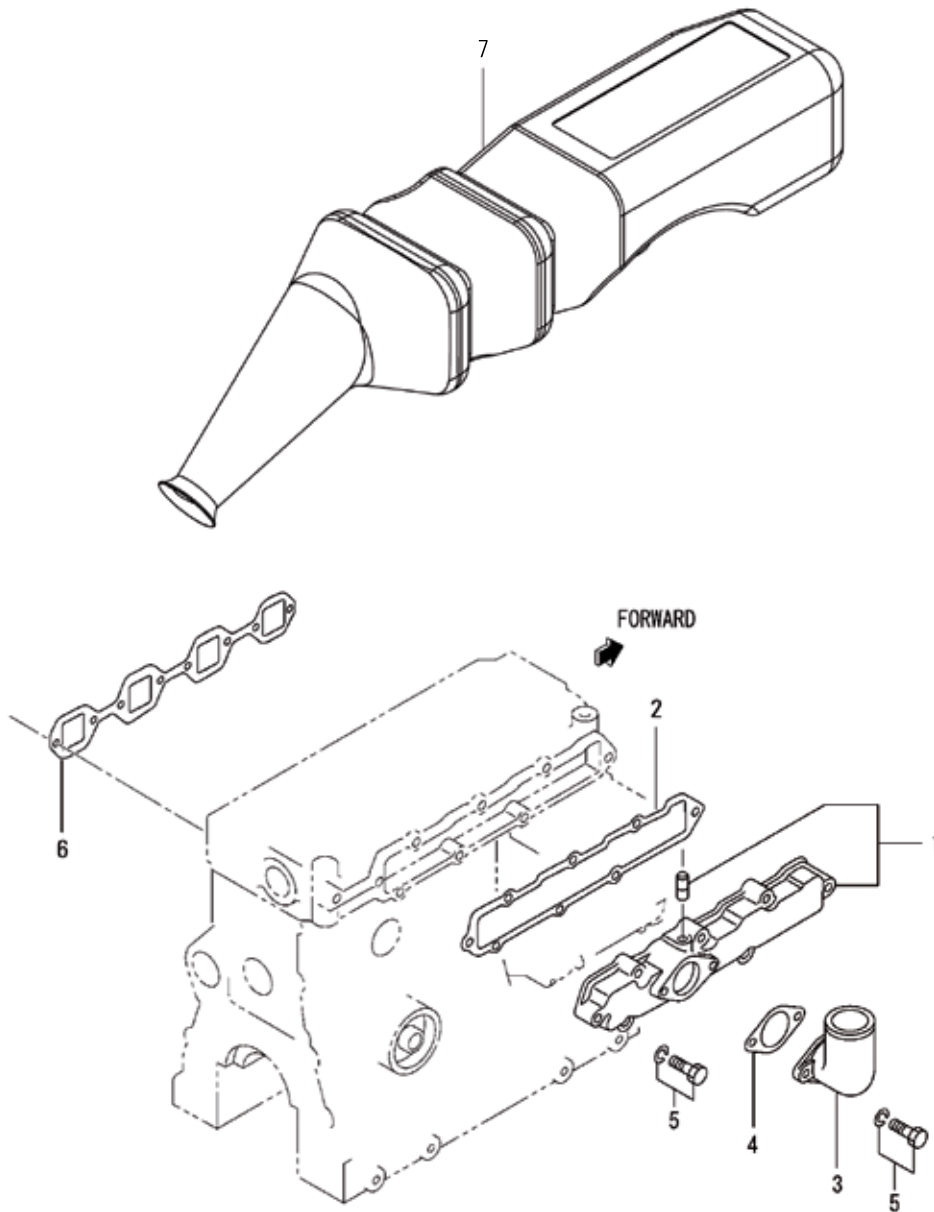
3.0 ELECTRONICS

3.1 STARTER MOTOR & ALTERNATOR	PAGE 52
3.2 TERMINAL BOX	PAGE 54
3.3 SENSORS	PAGE 56
3.4 INSTRUMENT PANEL	PAGE 58
3.5 INSTRUMENT PANEL	PAGE 60

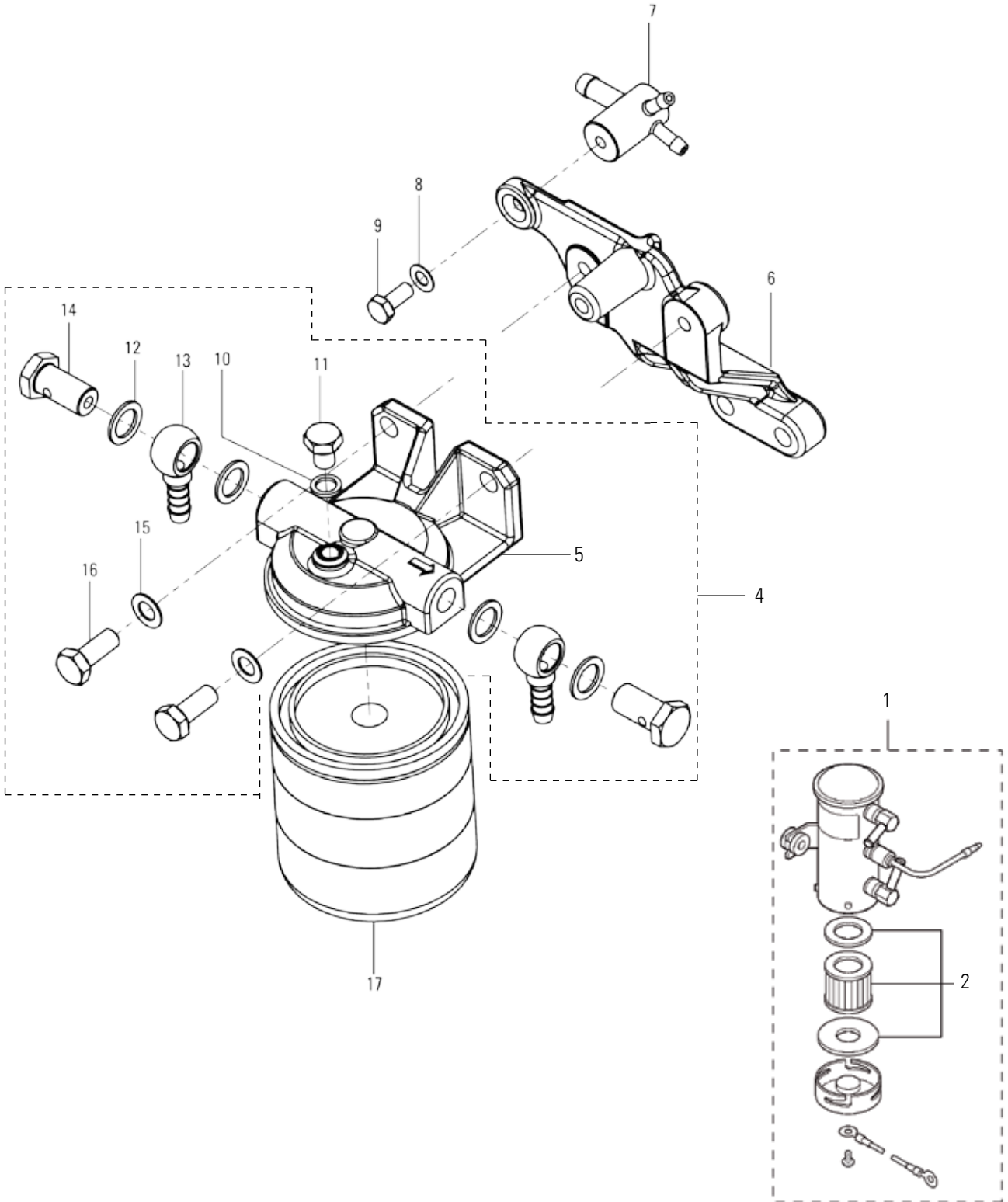
1.1 SPARES SET



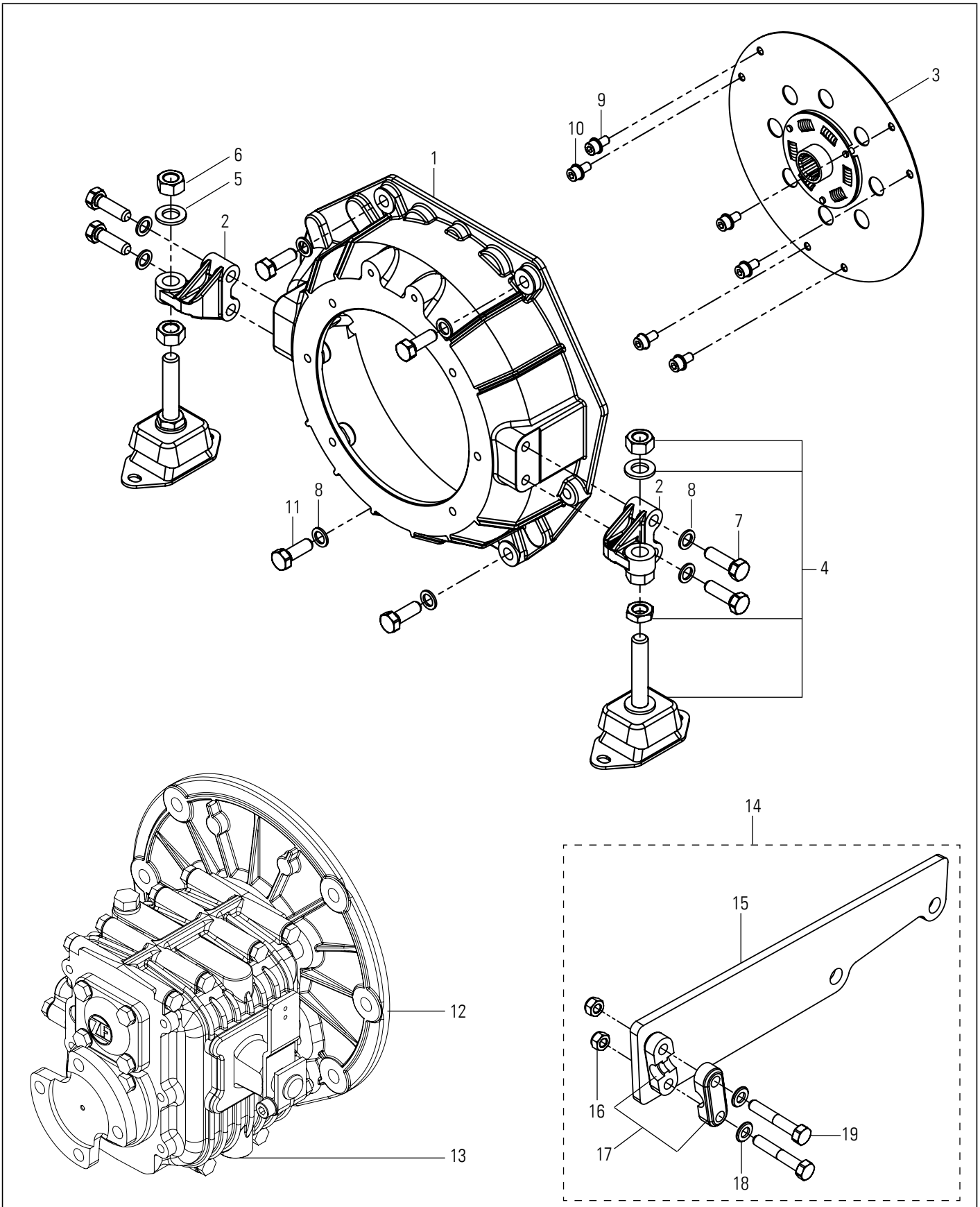
1.2 AIR INTAKE



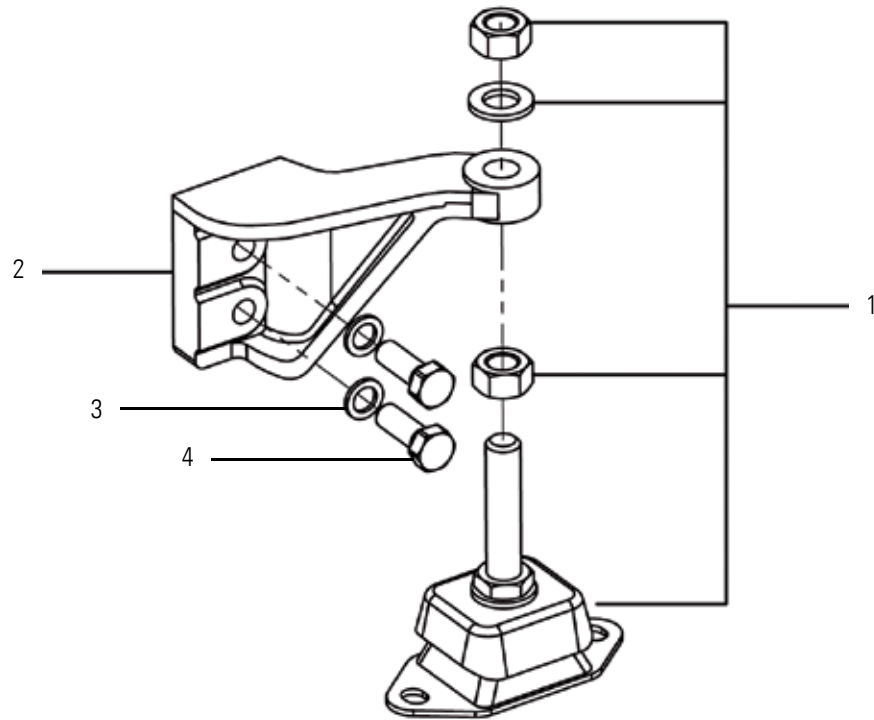
1.3 AUXILIARY FUELPUMP & FILTER



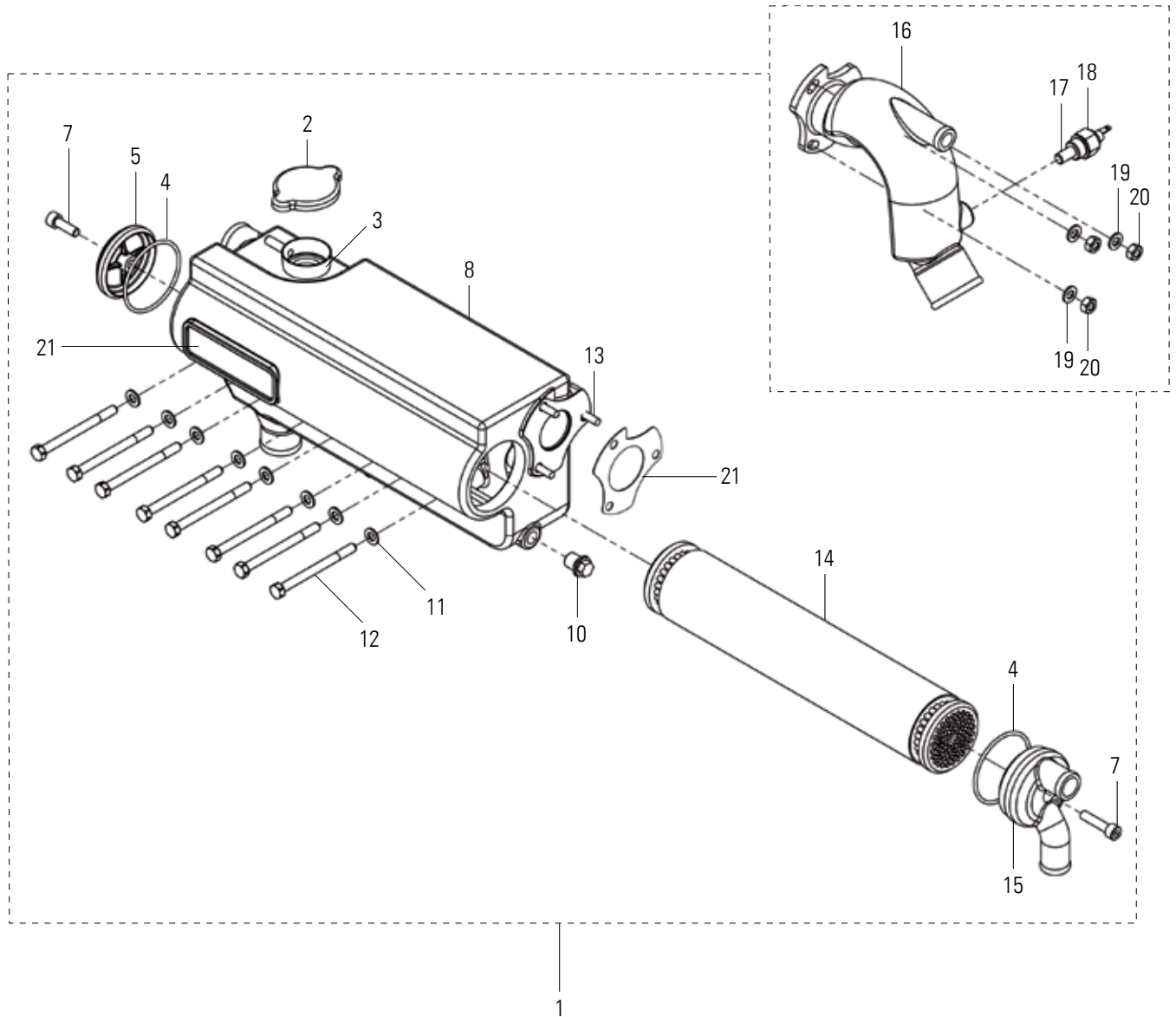
1.4 FLYWHEEL HOUSING



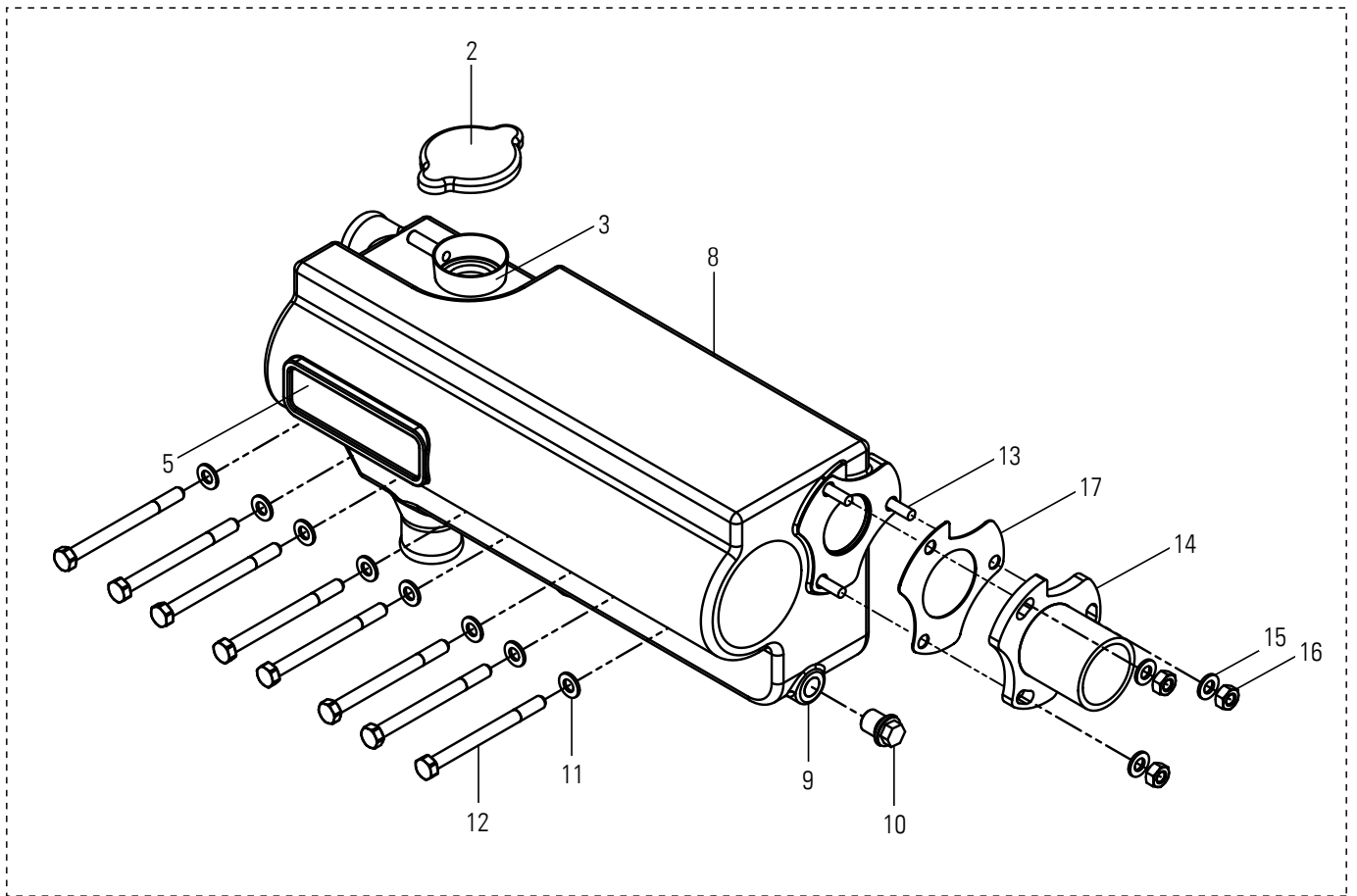
1.5 ENGINE SUPPORT



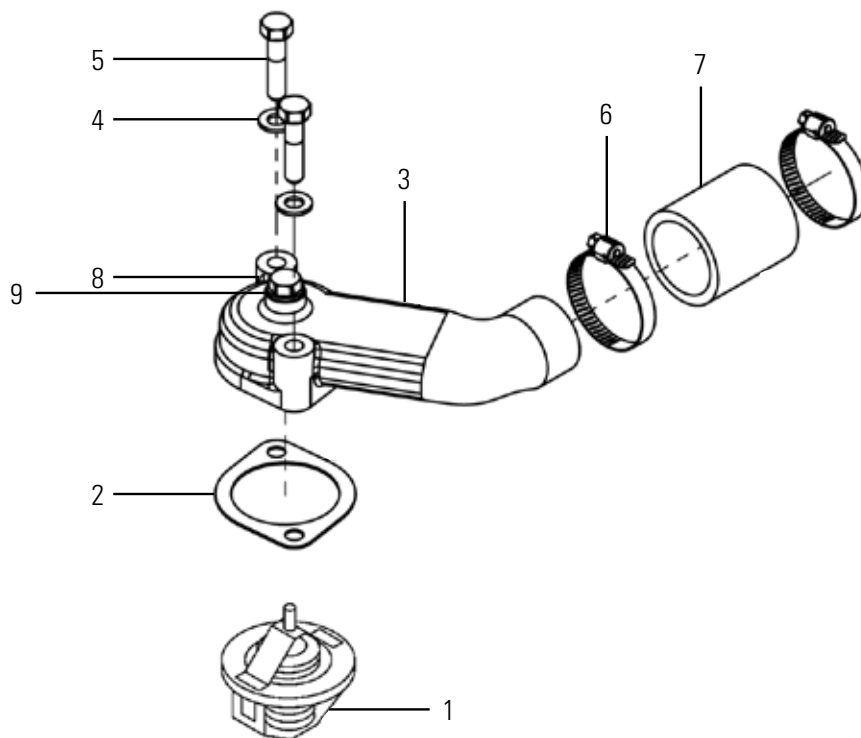
1.6 HEAT EXCHANGER



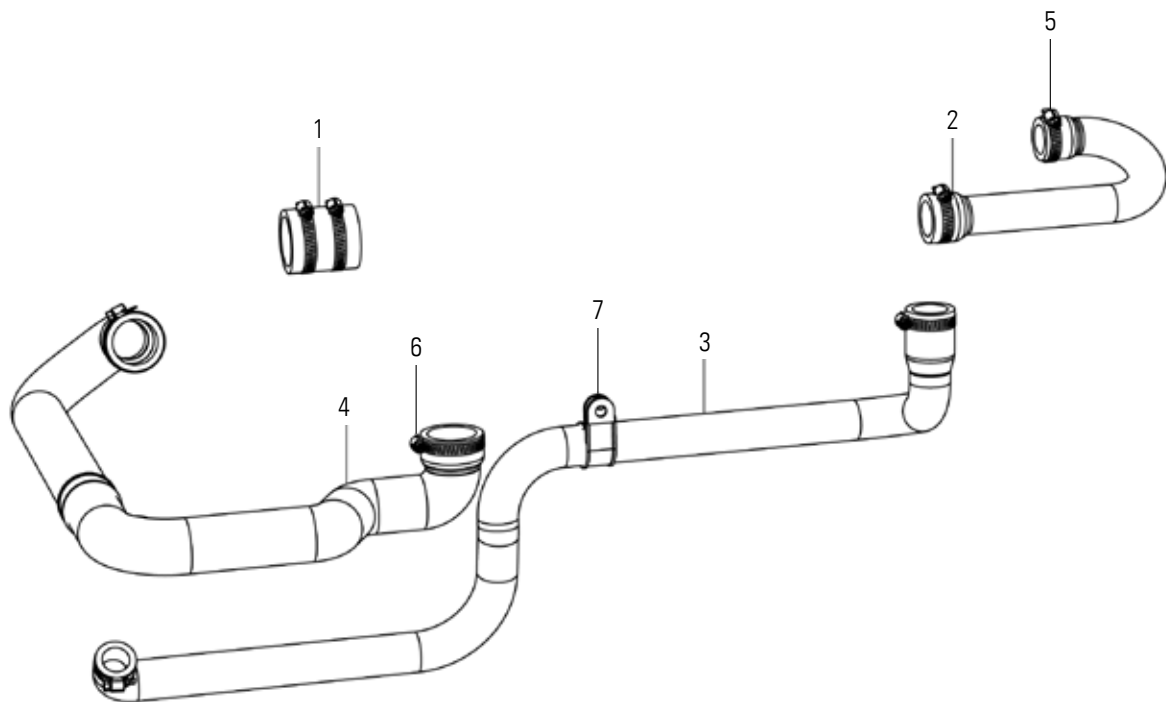
1.7 KEELCOOLER MANIFOLD



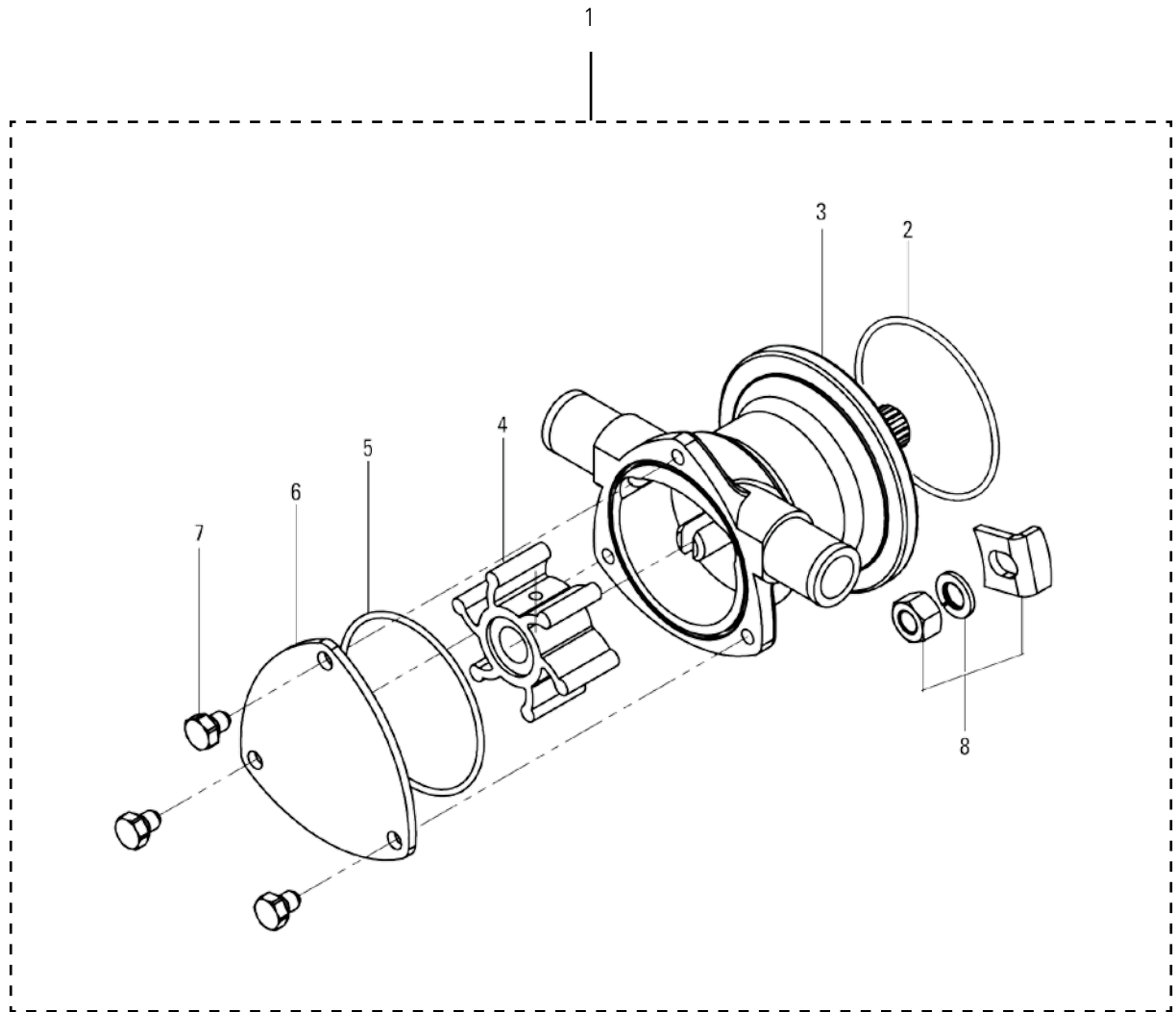
1.8 THERMOSTAT



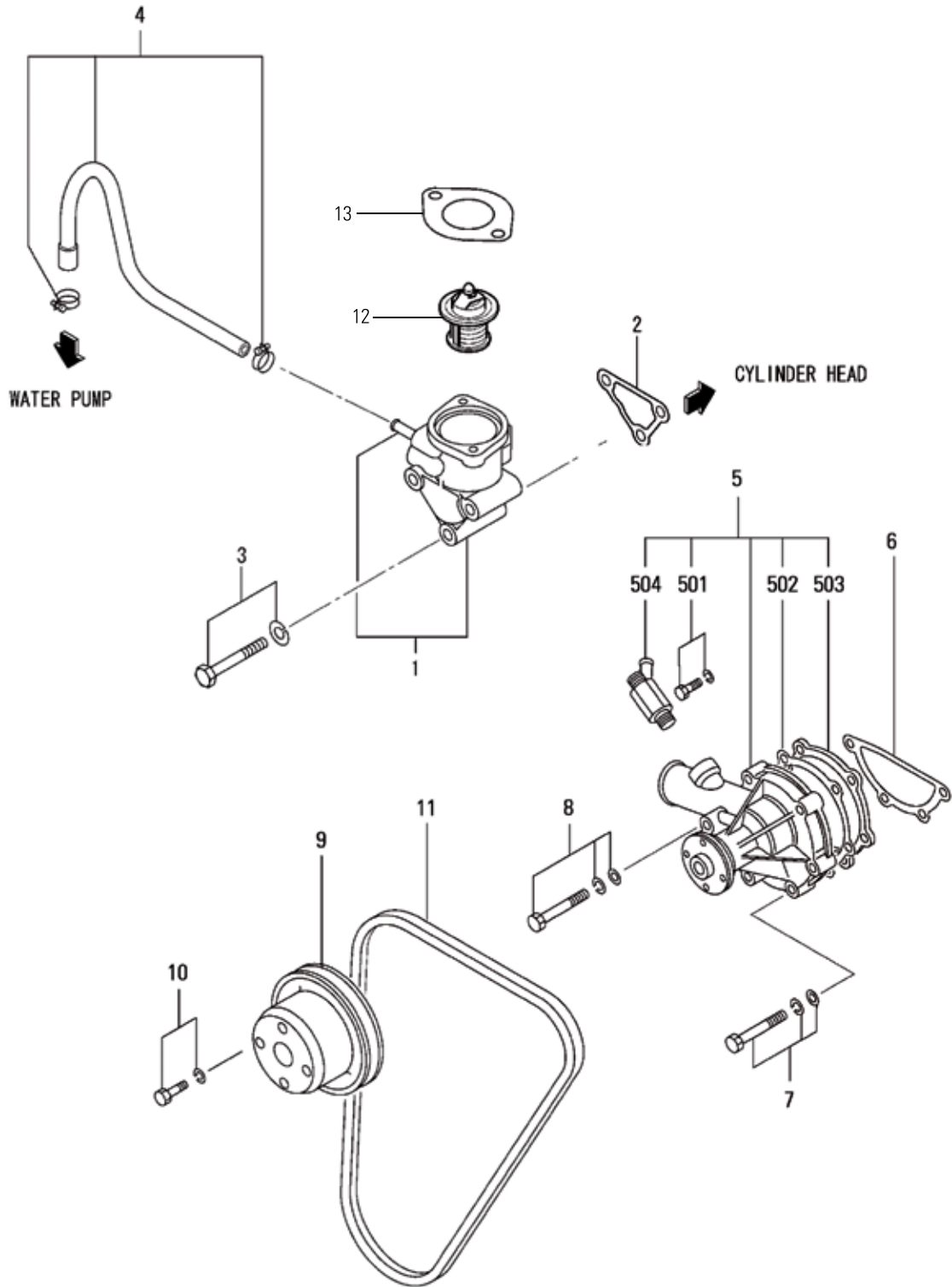
1.9 HOSES



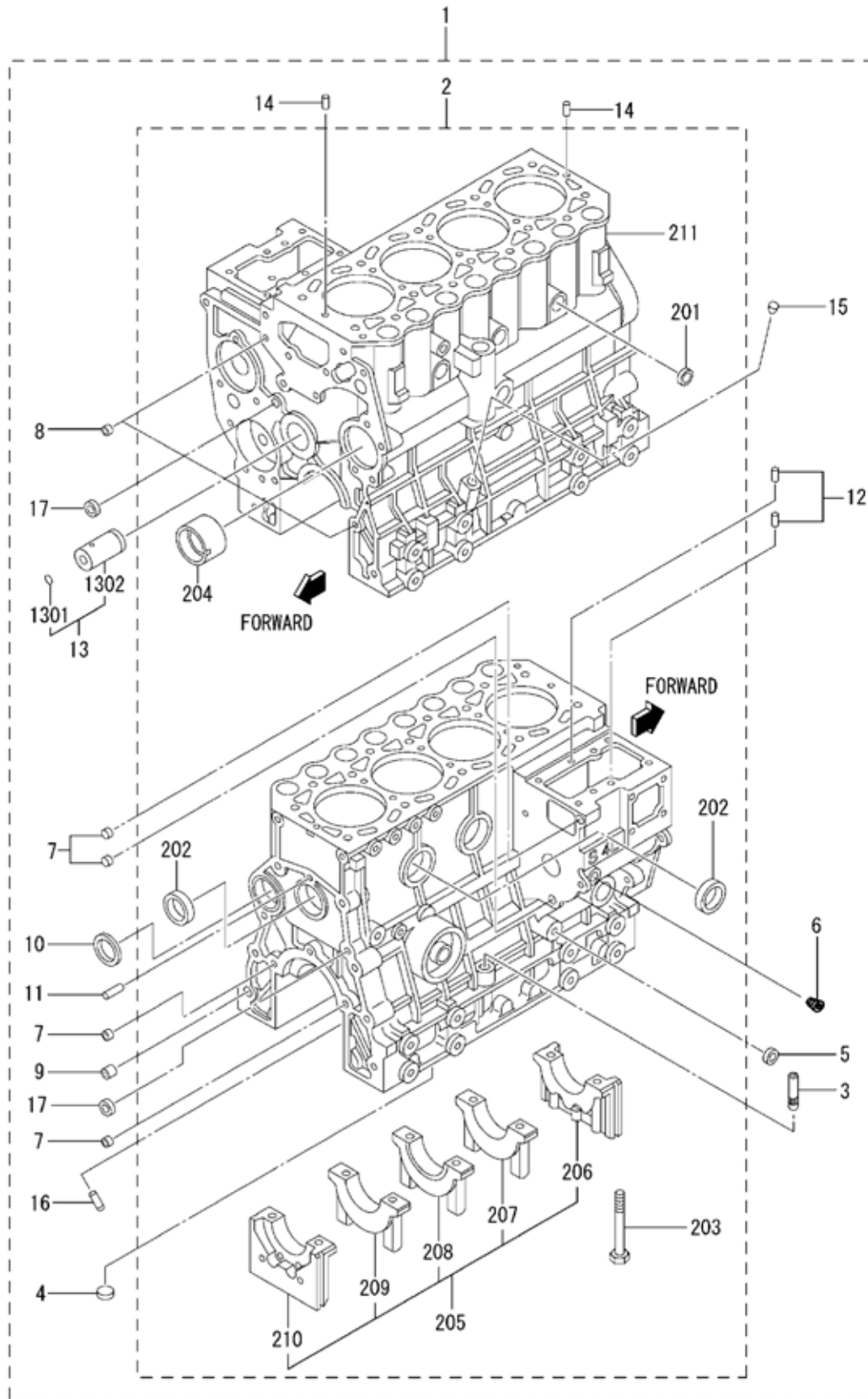
1.10 RAW WATER PUMP



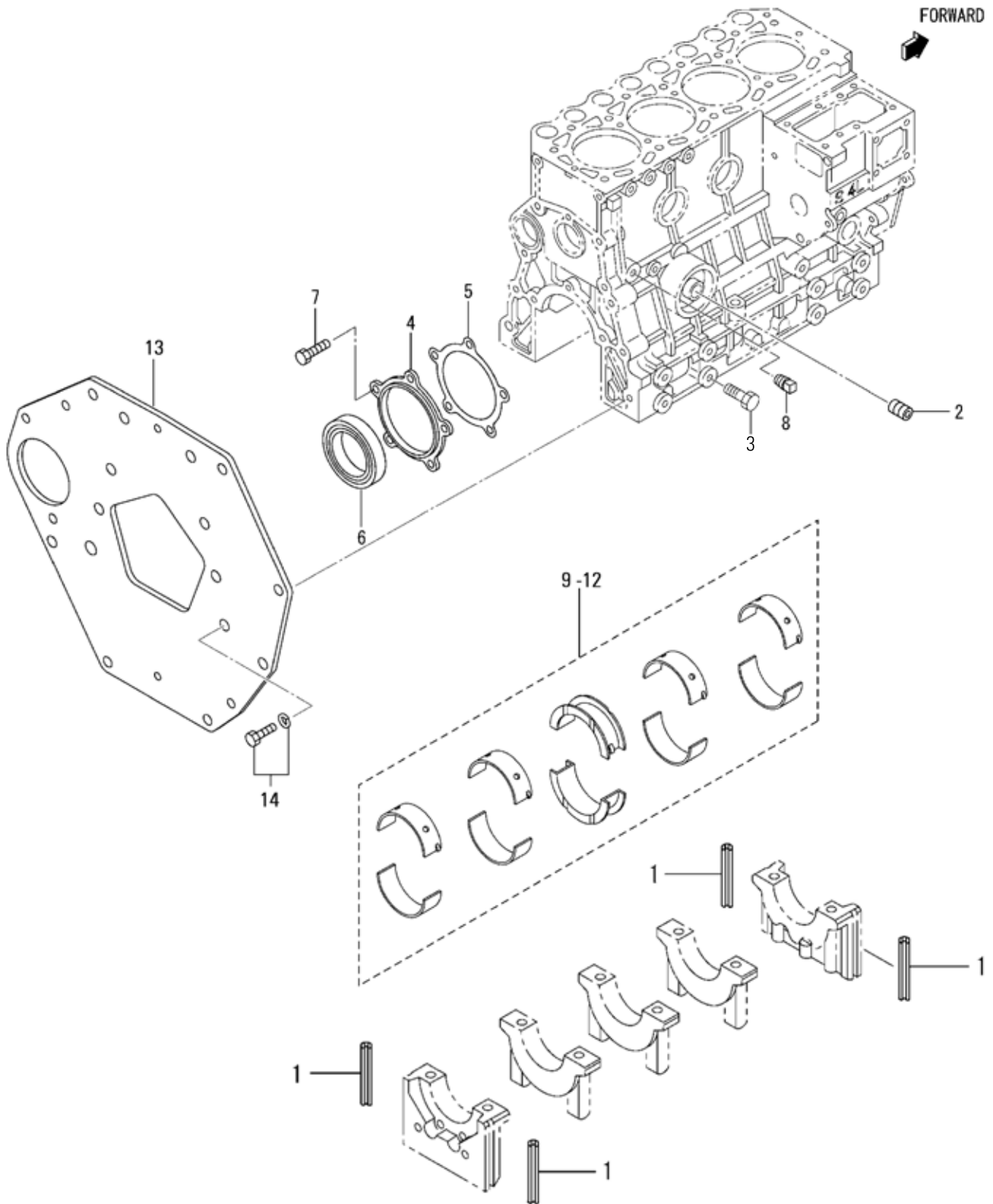
2.1 CIRCULATION PUMP & THERMOSTAT



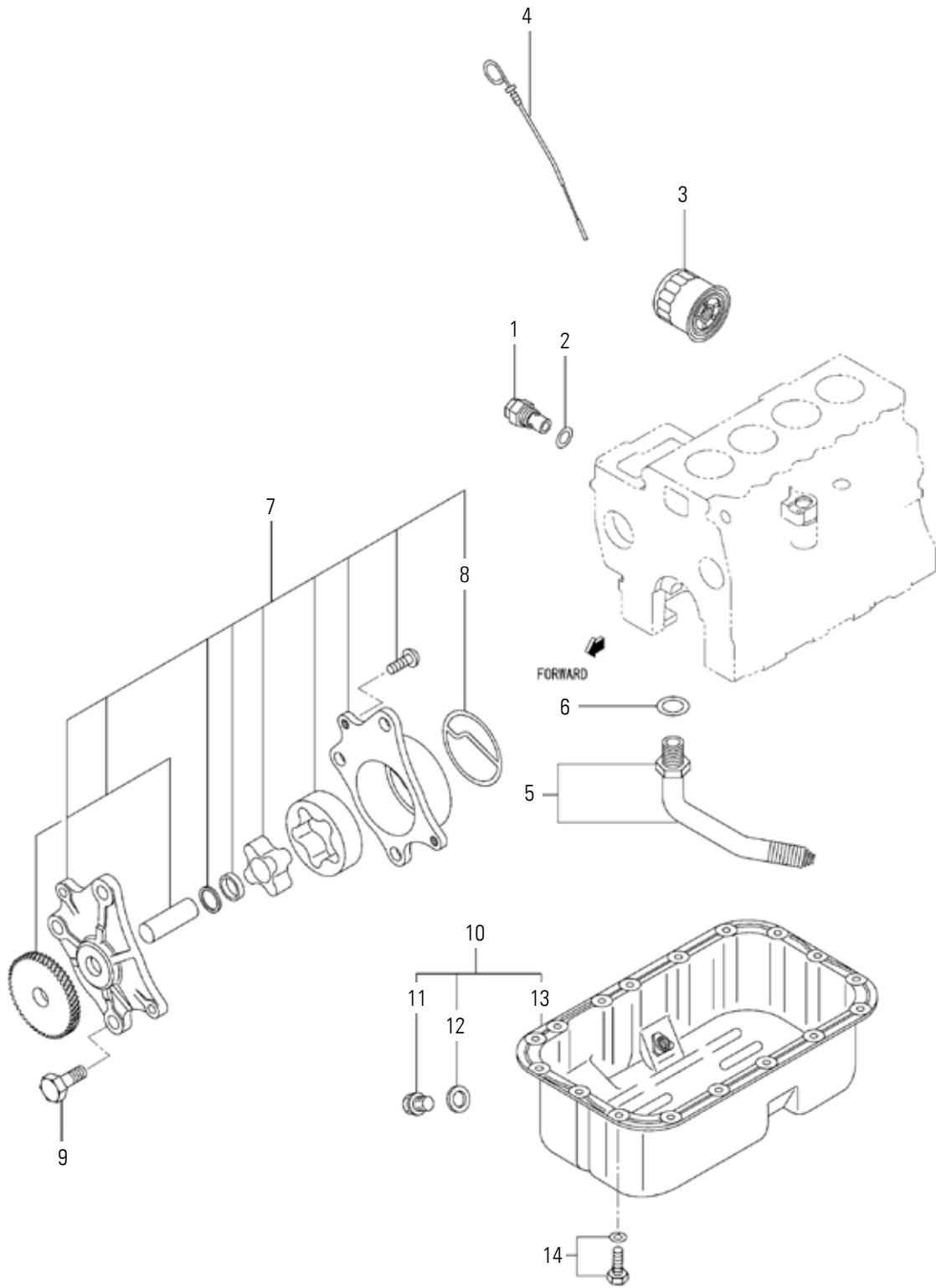
2.2 CRANKCASE ASSY



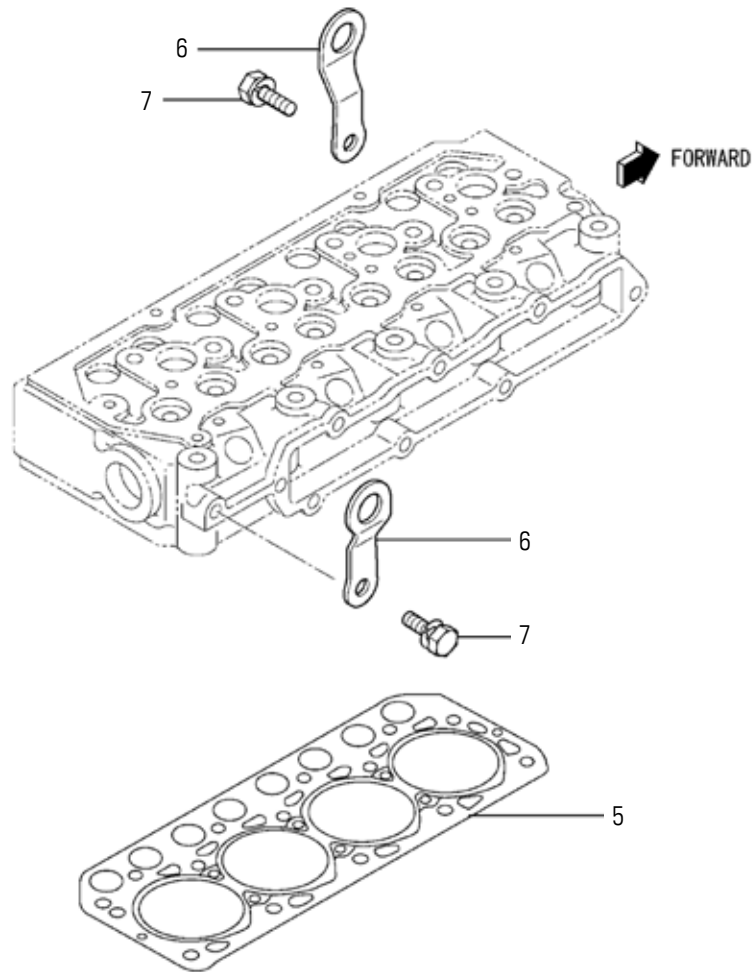
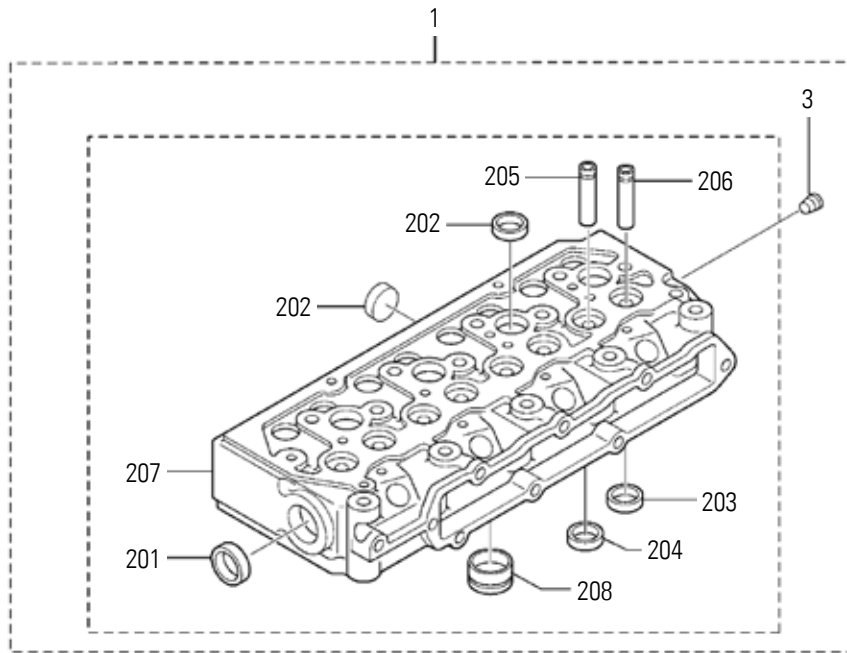
2.3 CRANKCASE



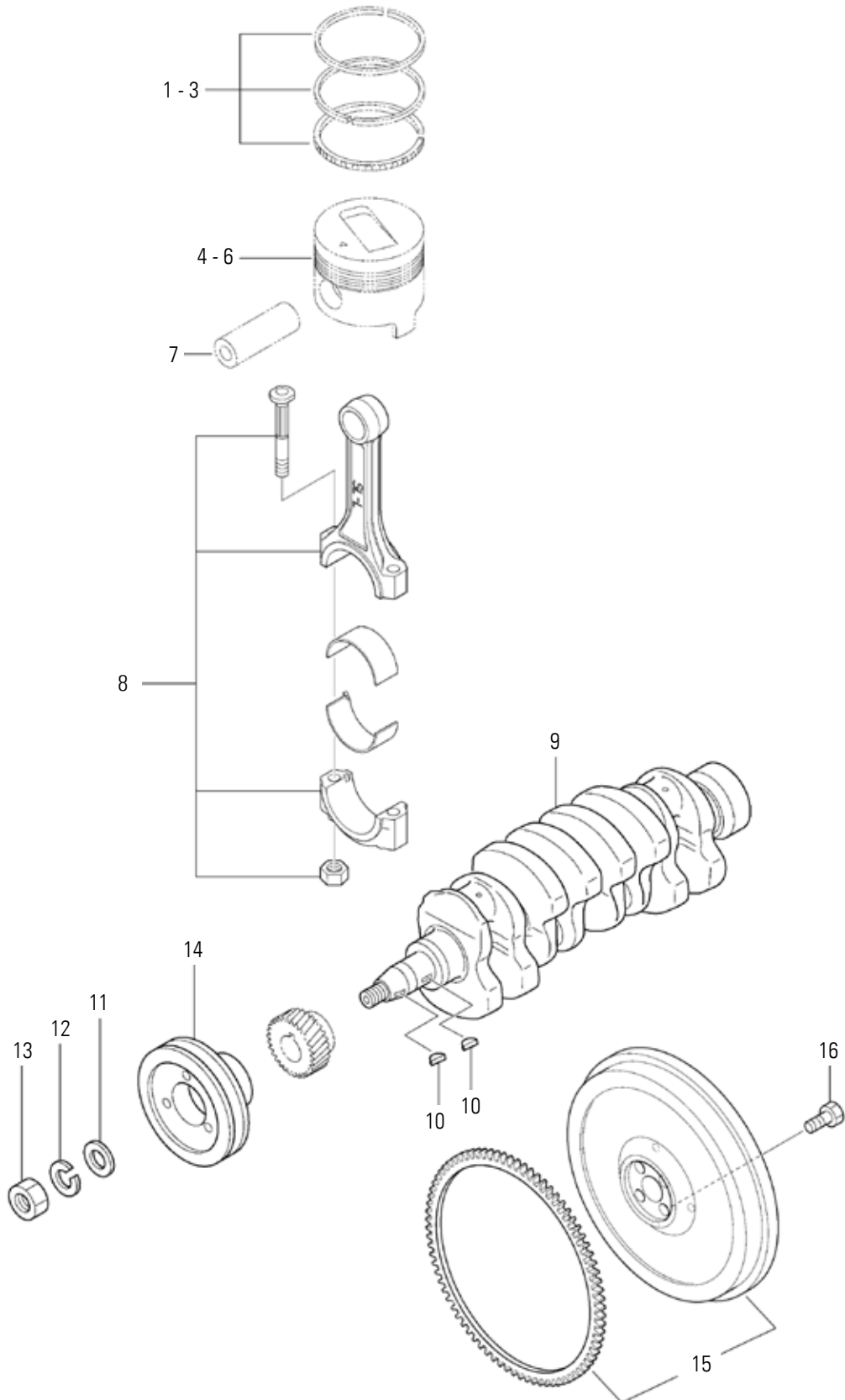
2.4 OIL PAN & OIL PUMP



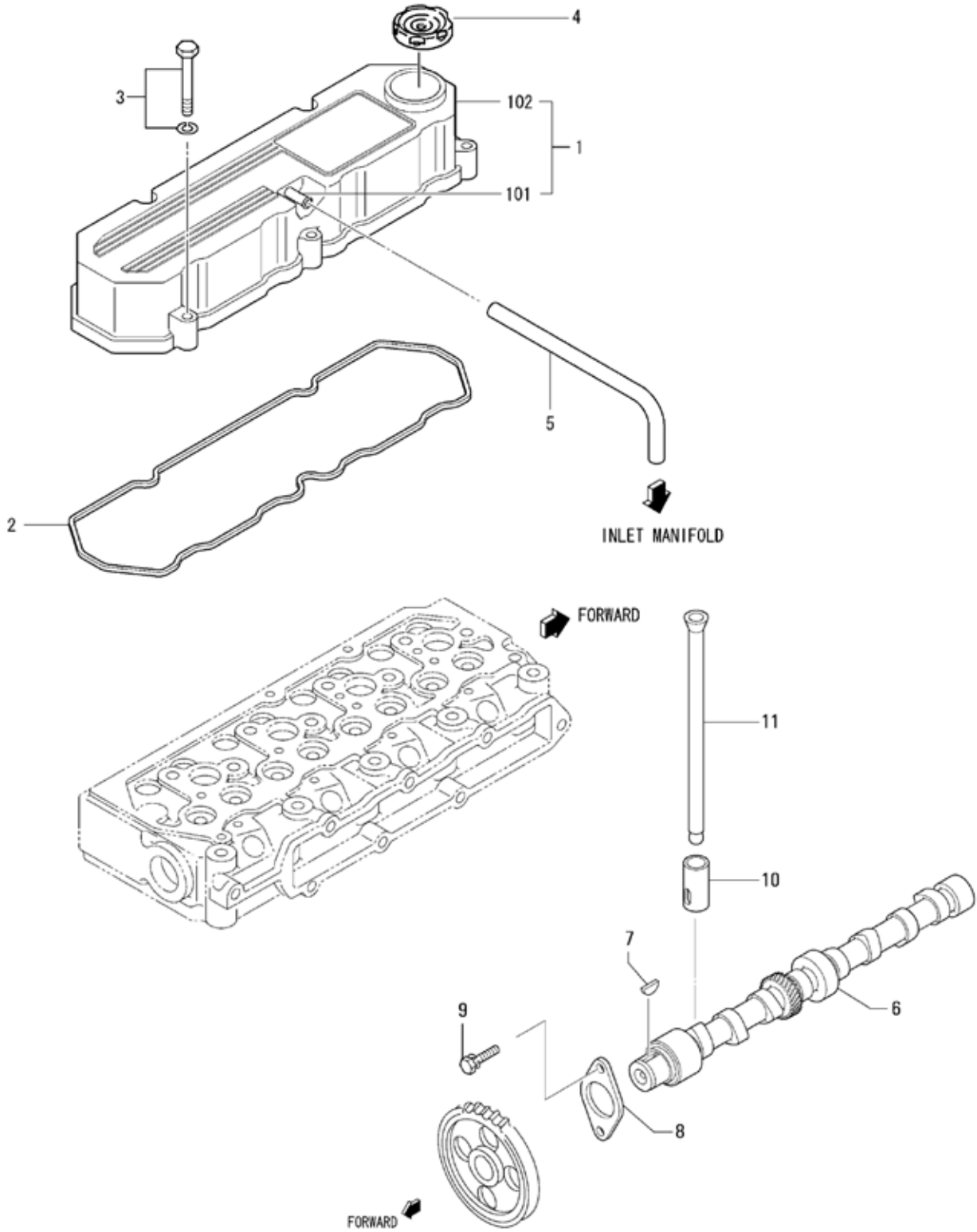
2.5 CILINDER HEAD



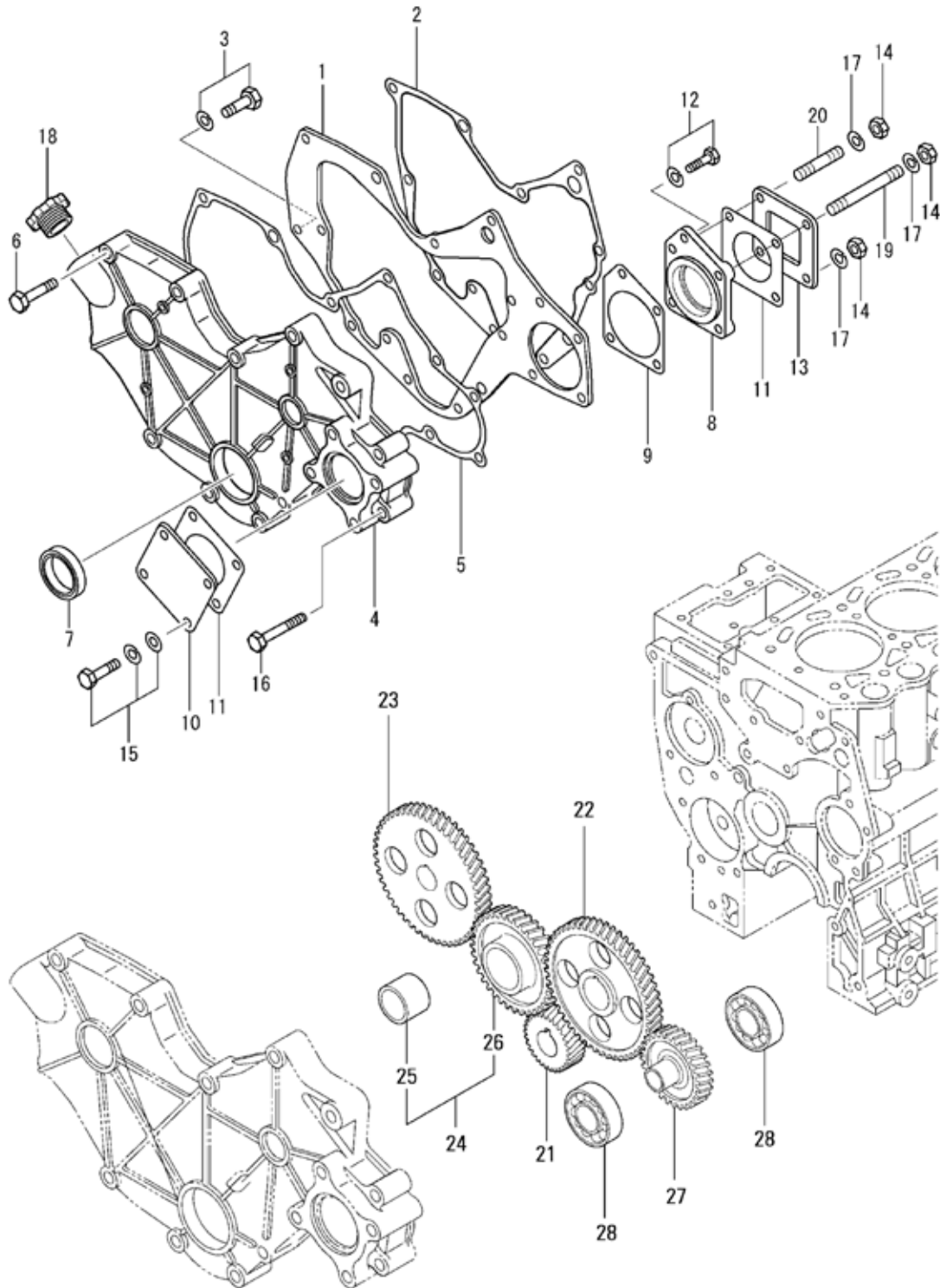
2.6 CRANKSHAFT & FLYWHEEL



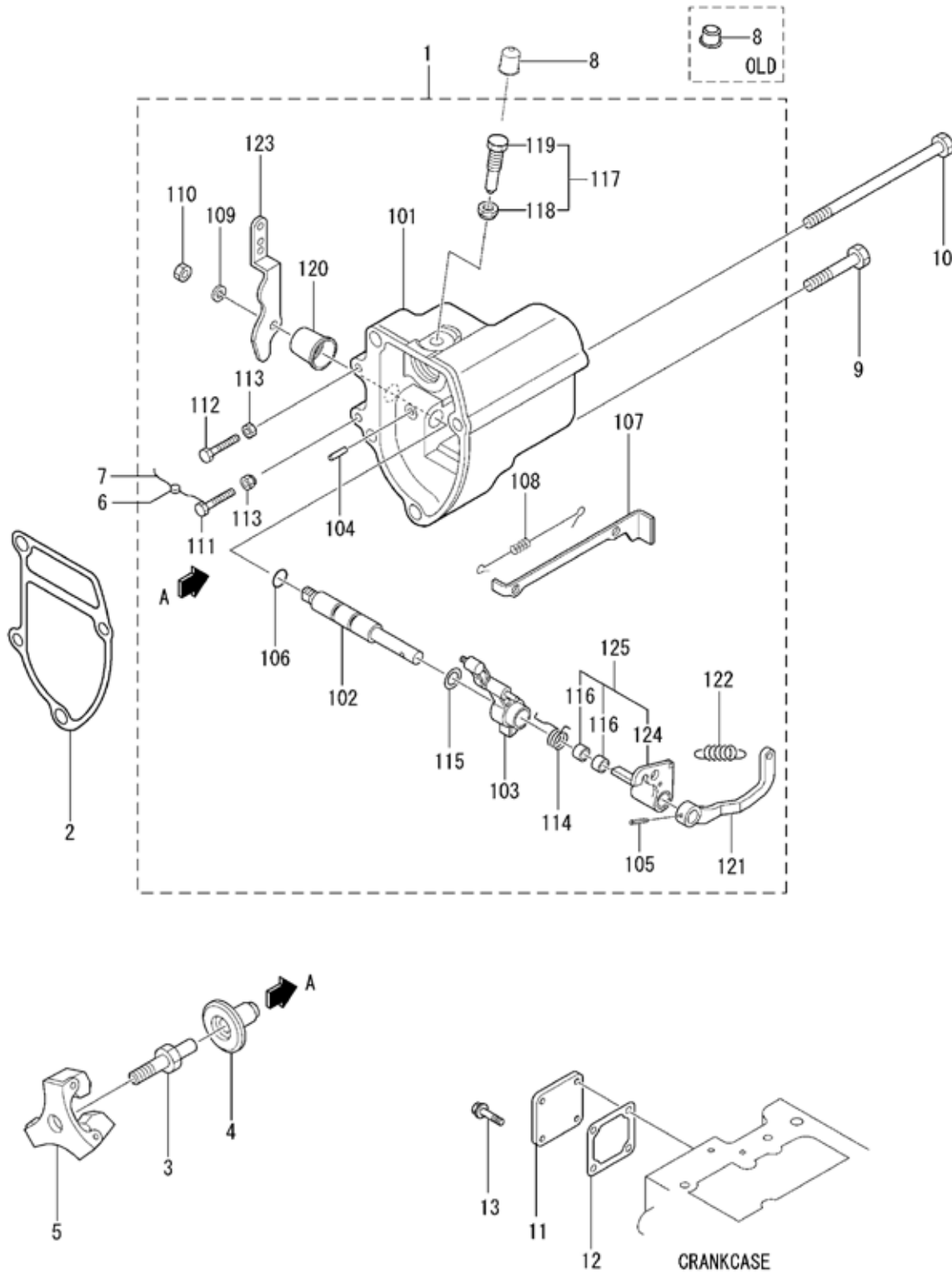
2.7 ROCKER COVER & CAMSHAFT



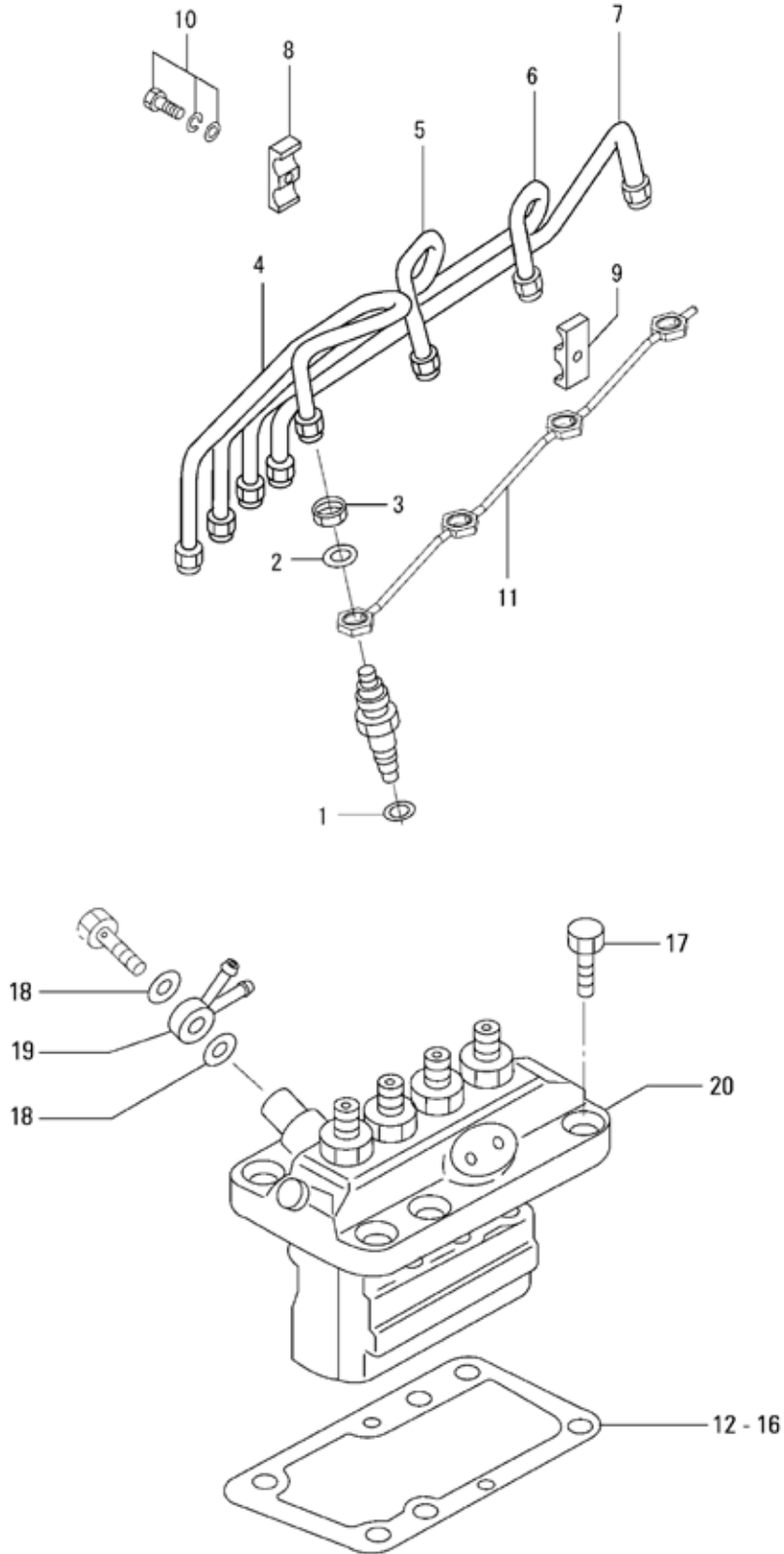
2.8 TIMING GEAR & CASE



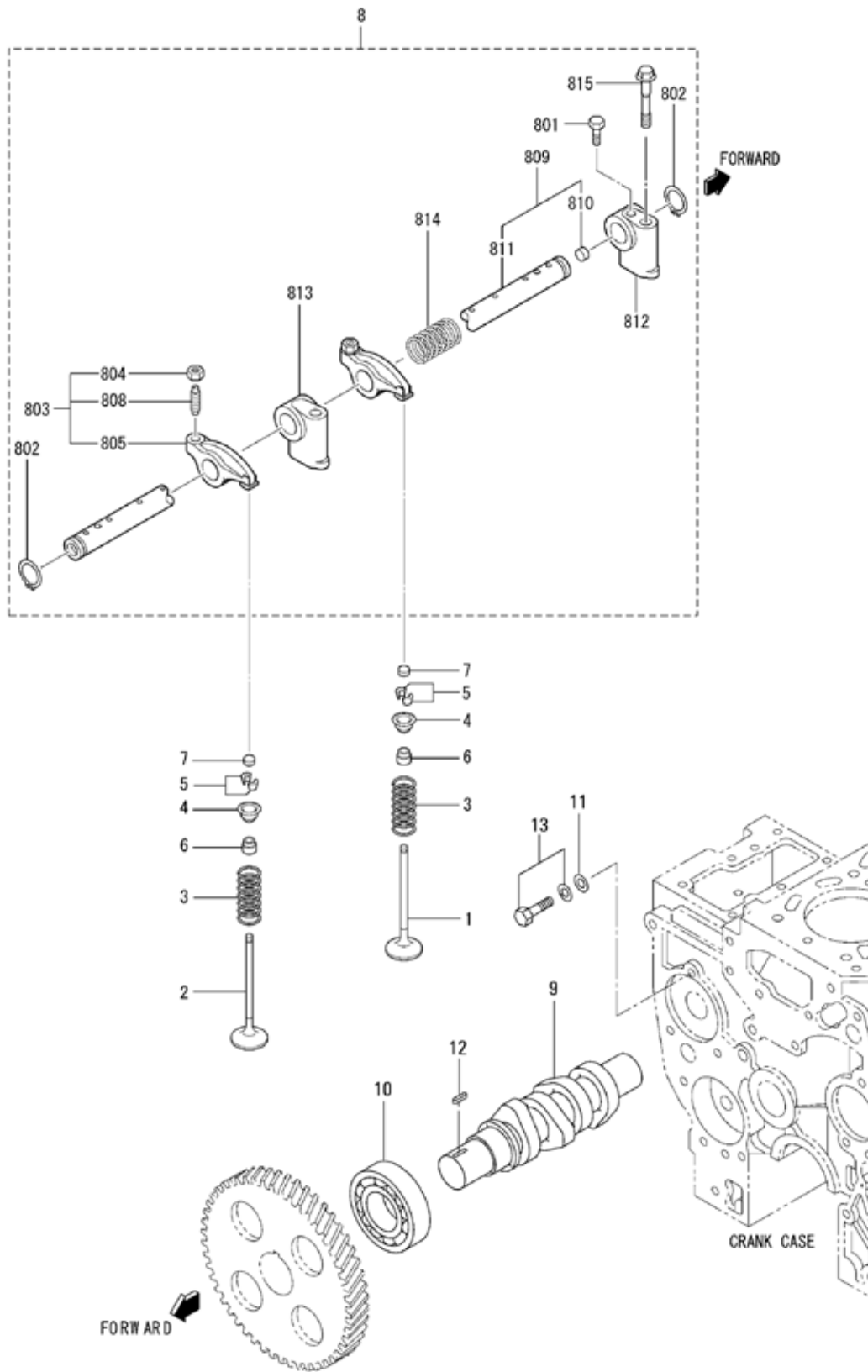
2.9 GOVERNOR



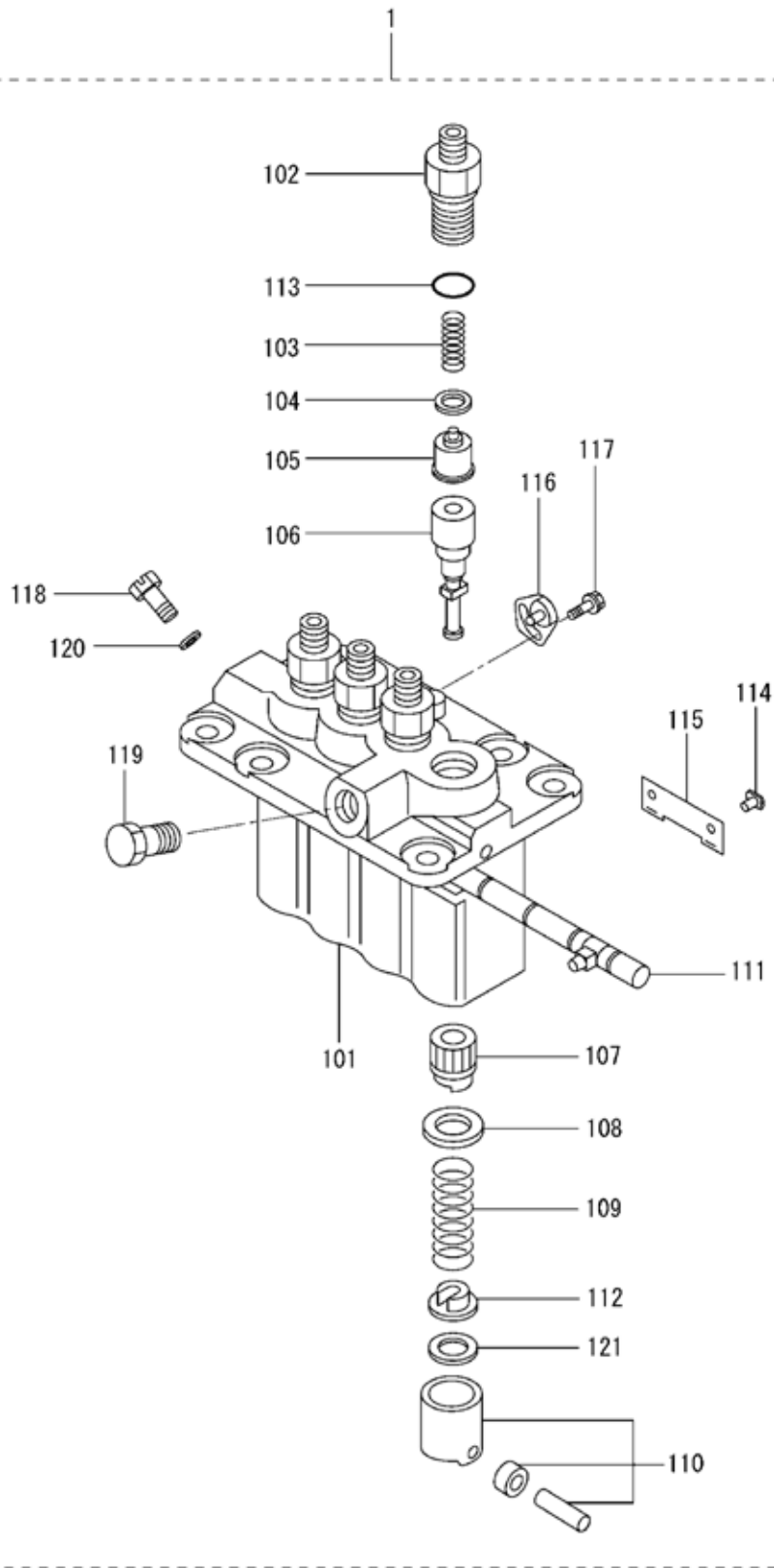
2.10 FUEL SYSTEM



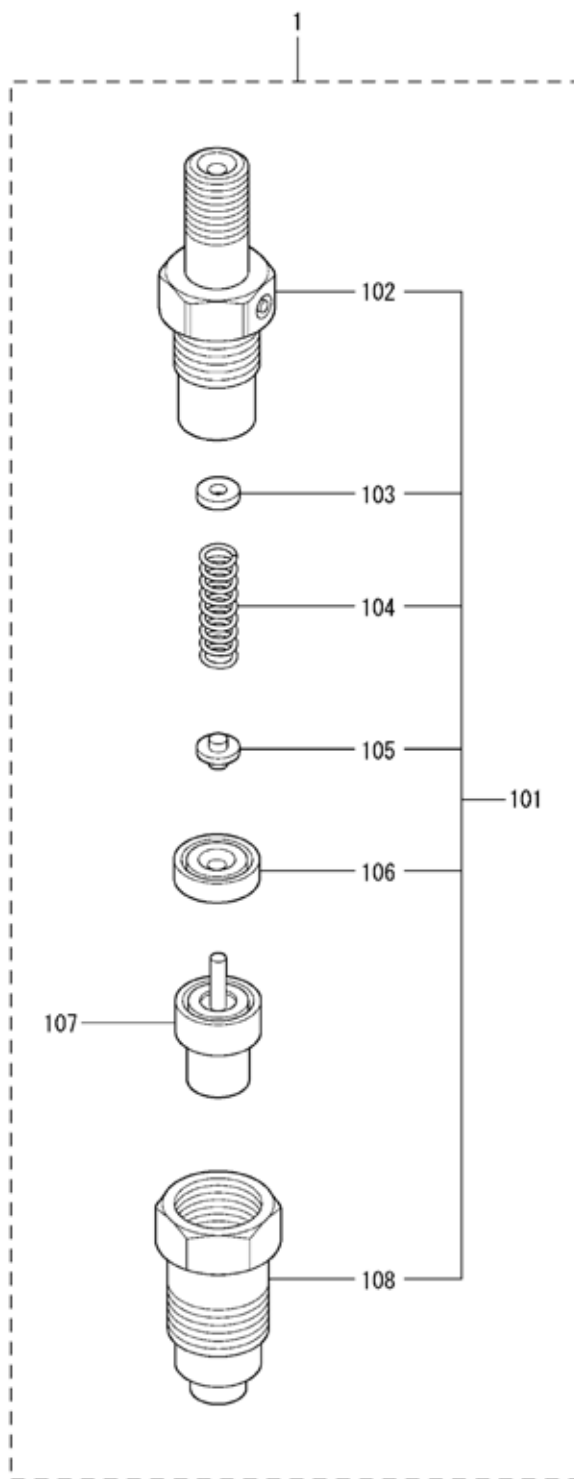
2.11 FUEL INJECTION PUMP DRIVE



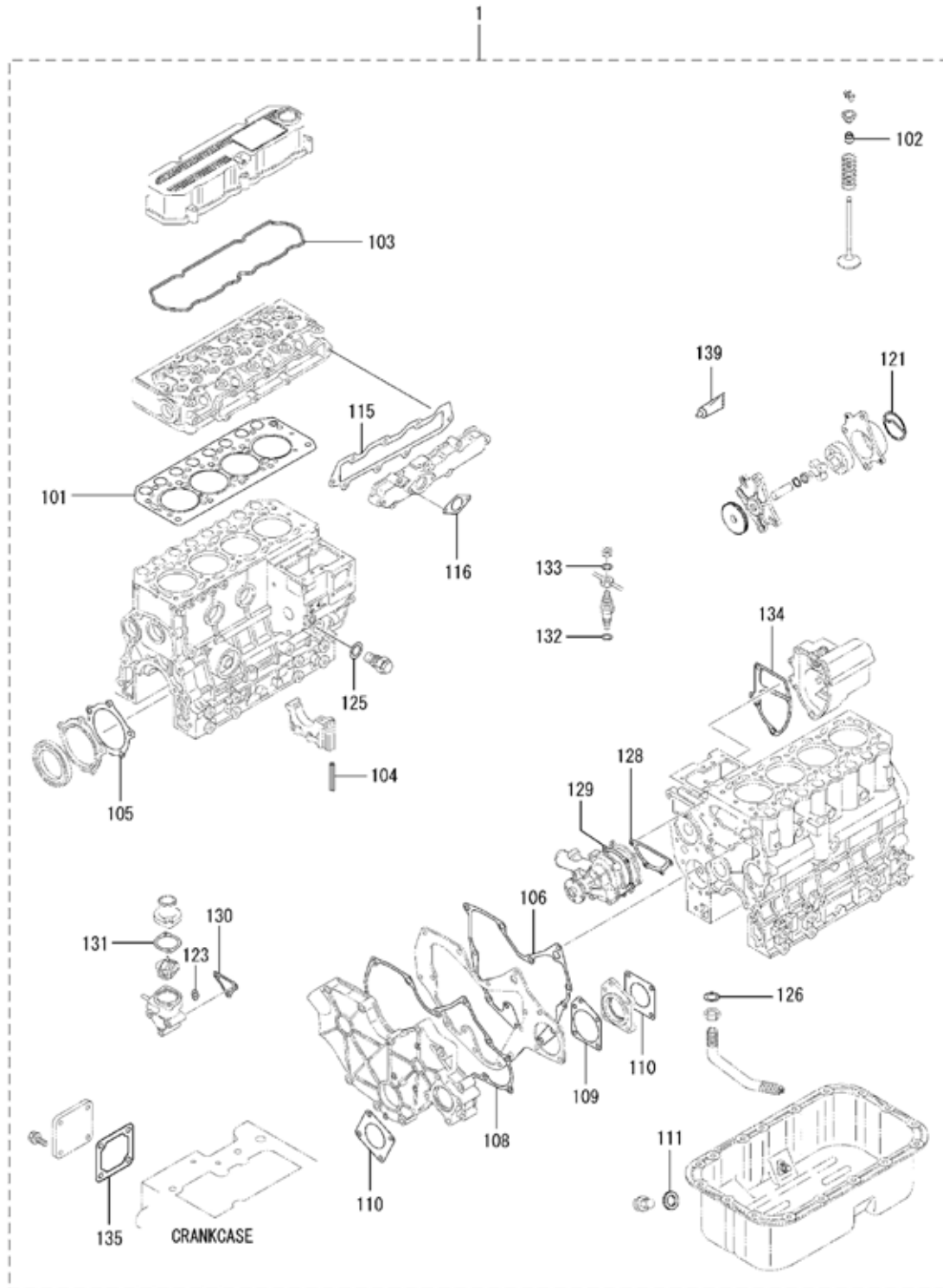
2.12 INJECTION PUMP



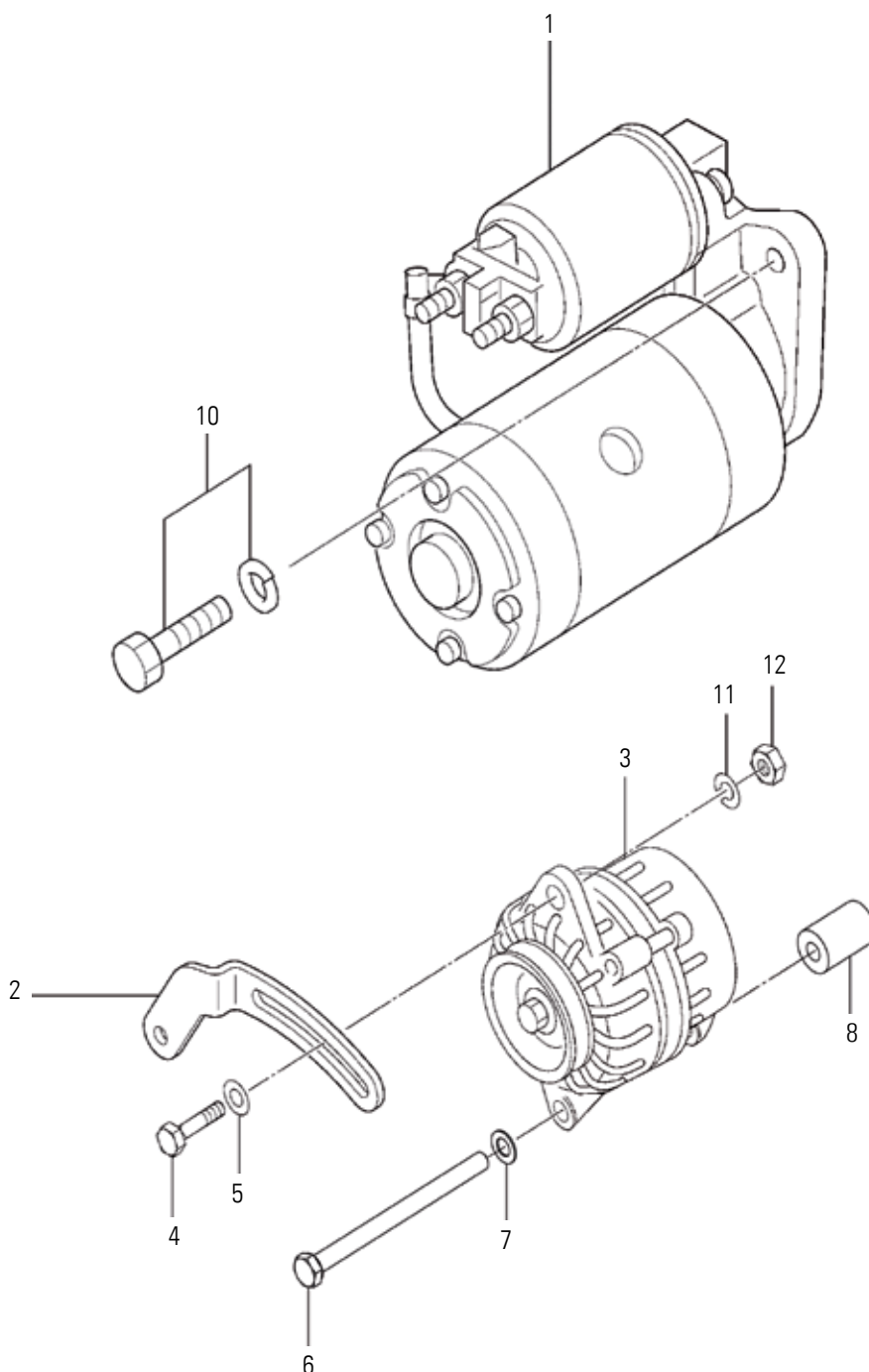
2.13 NOZZLE & NOZZLE HOLDER



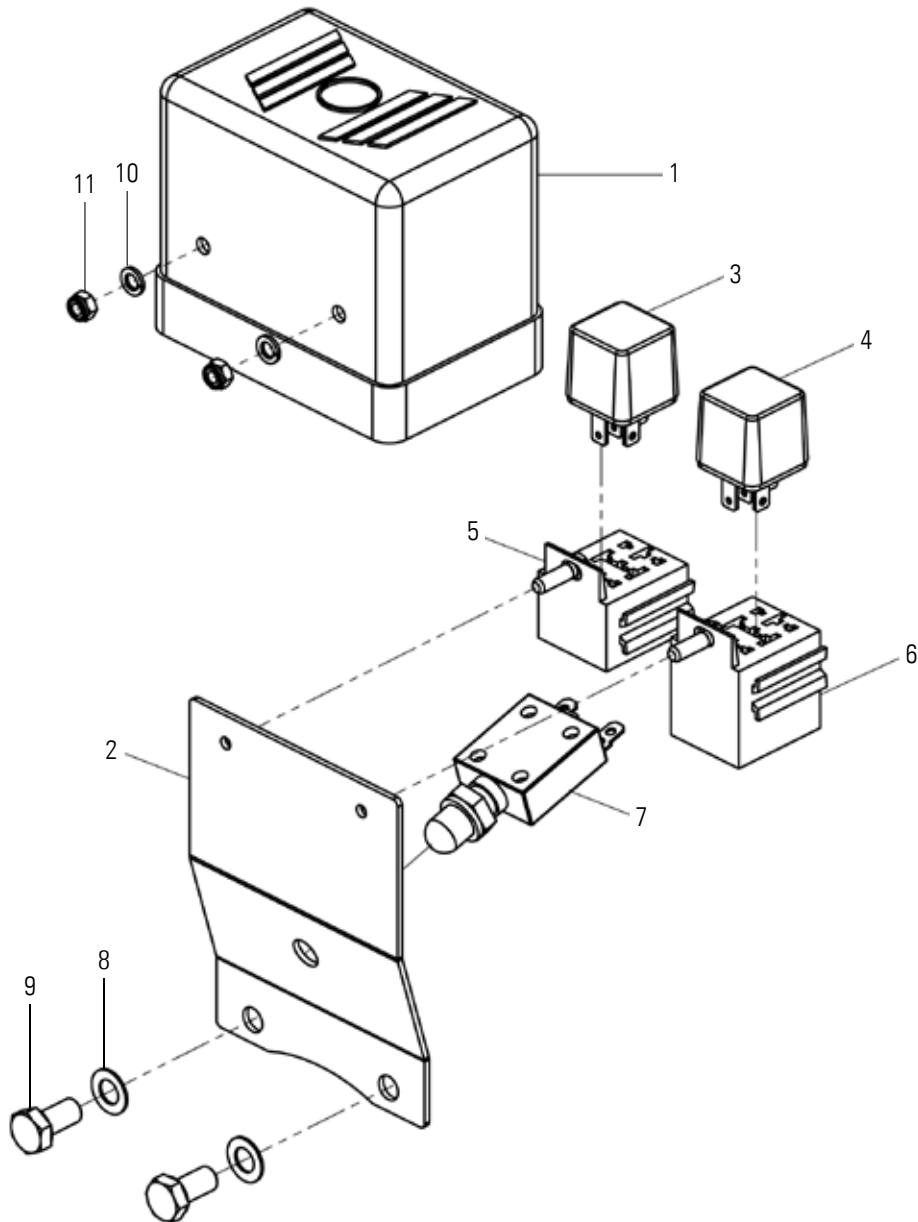
2.14 GASKET KIT



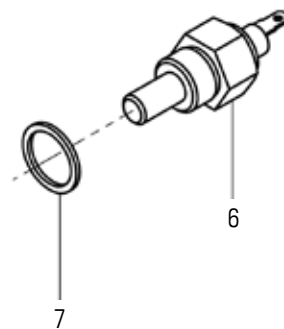
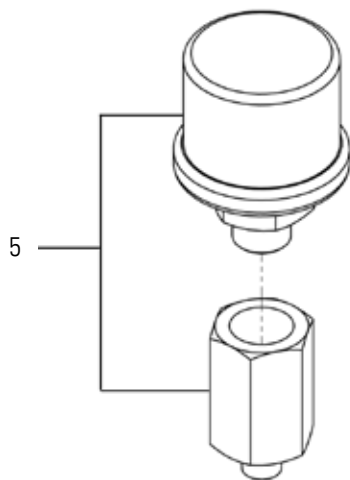
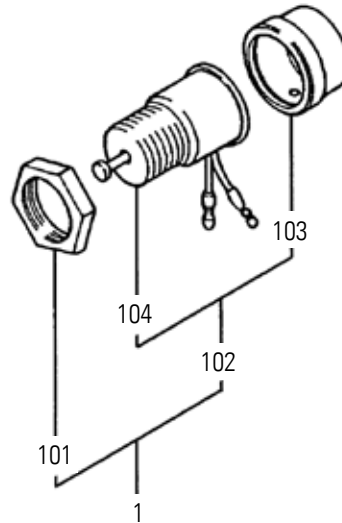
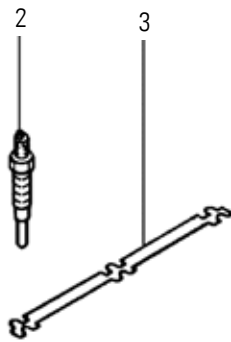
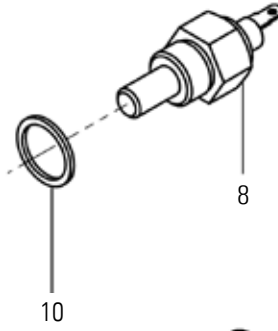
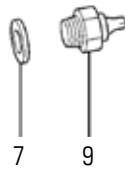
3.1 STARTER MOTOR & ALTERNATOR



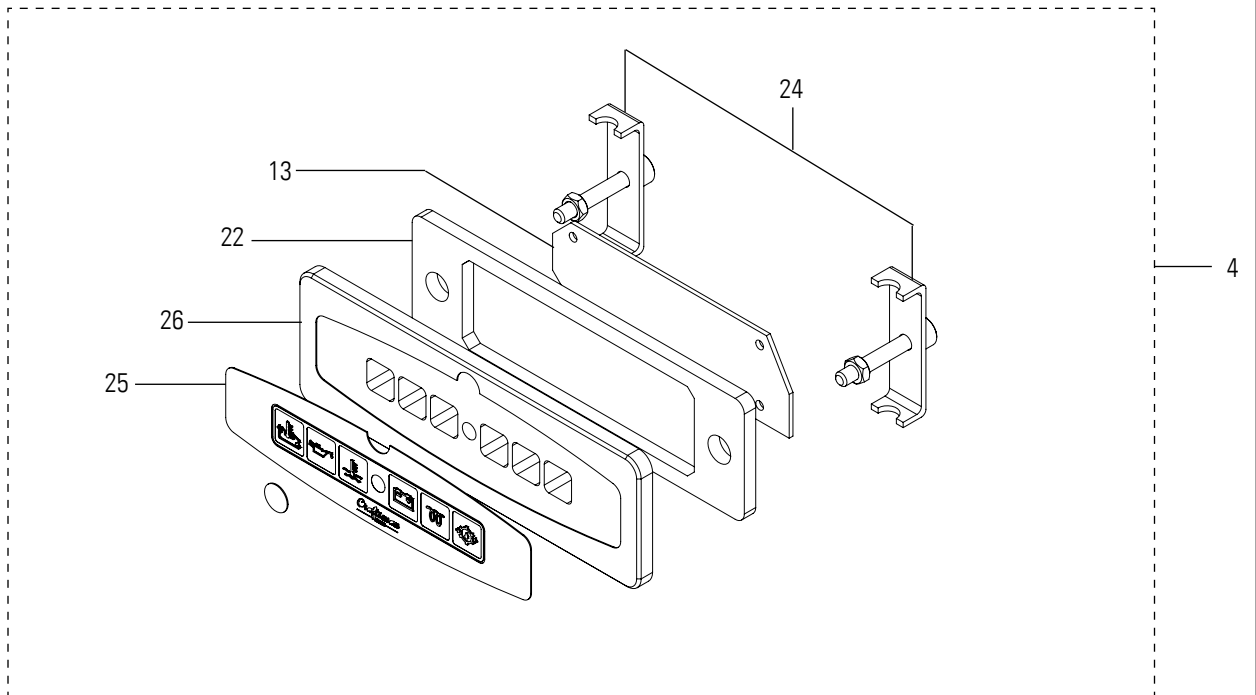
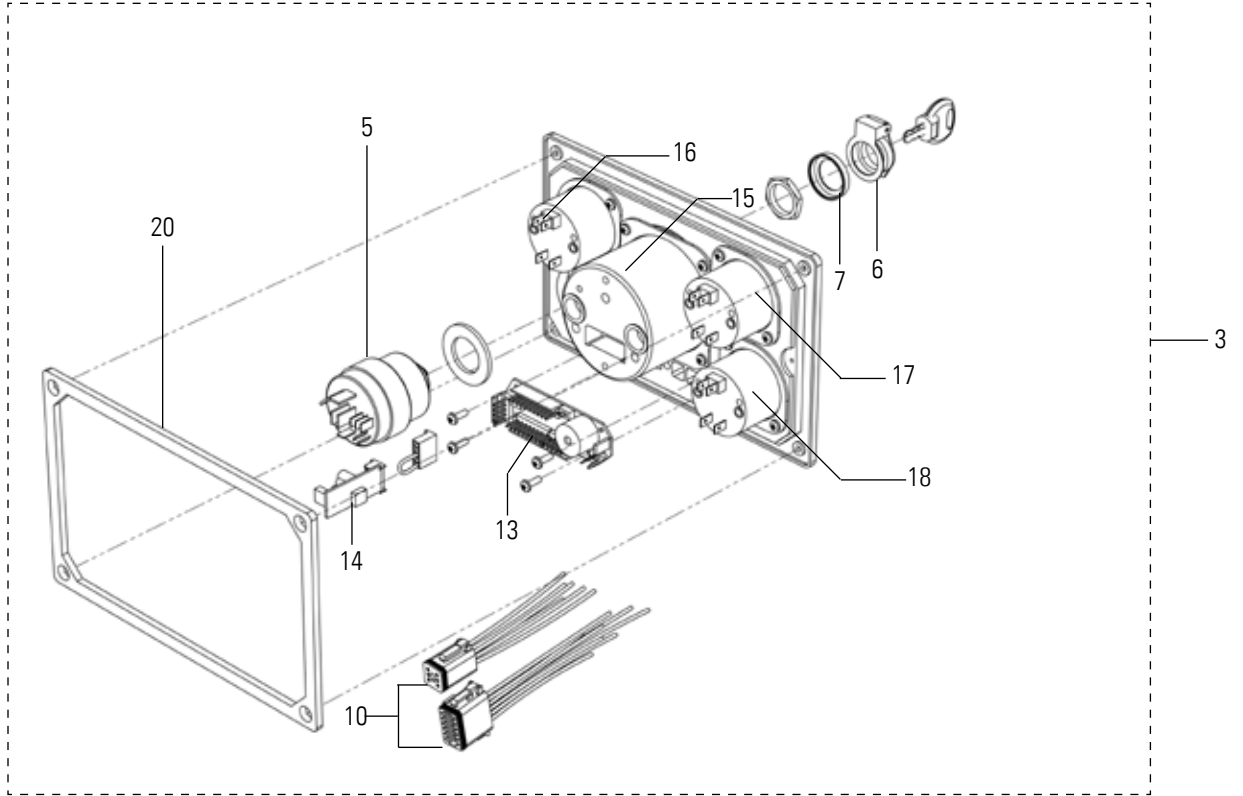
3.2 TERMINAL BOX



3.3 SENSORS



3.5 INSTRUMENT PANEL

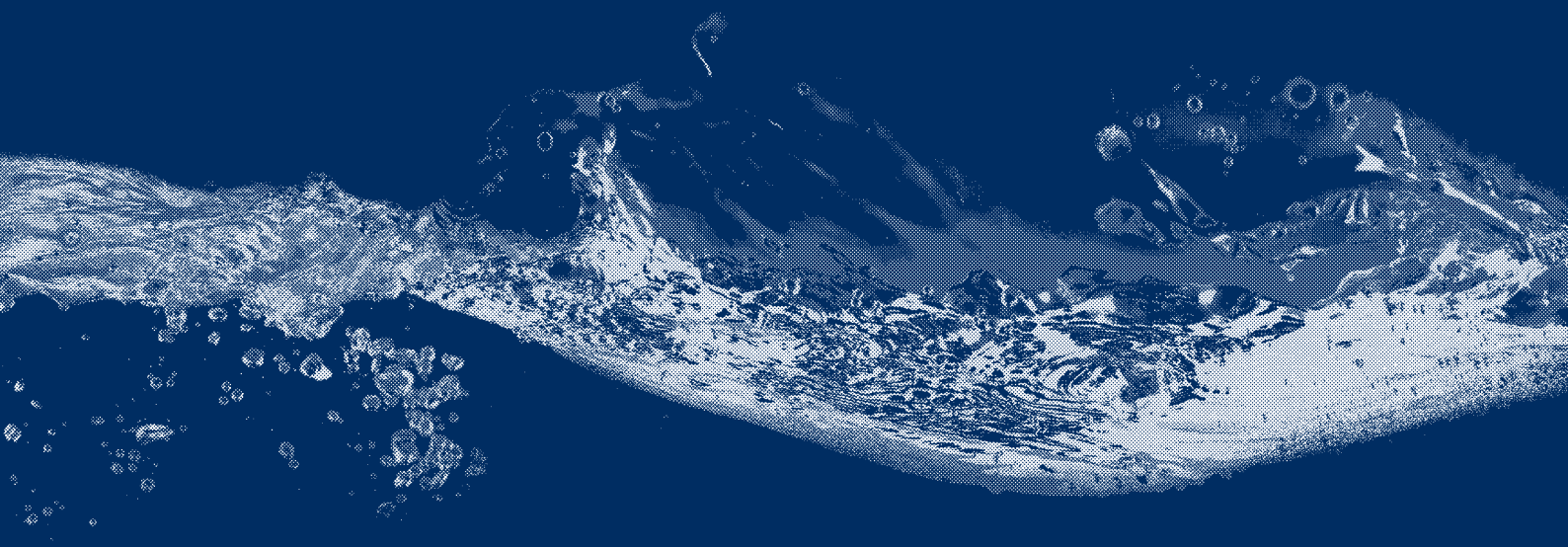




ZD-010-015.2.1.01.11

info@craftsmanmarine.com
www.craftsmanmarine.com

Printed in the Netherlands



CRAFTED WITH CRAFTSMAN MARINE