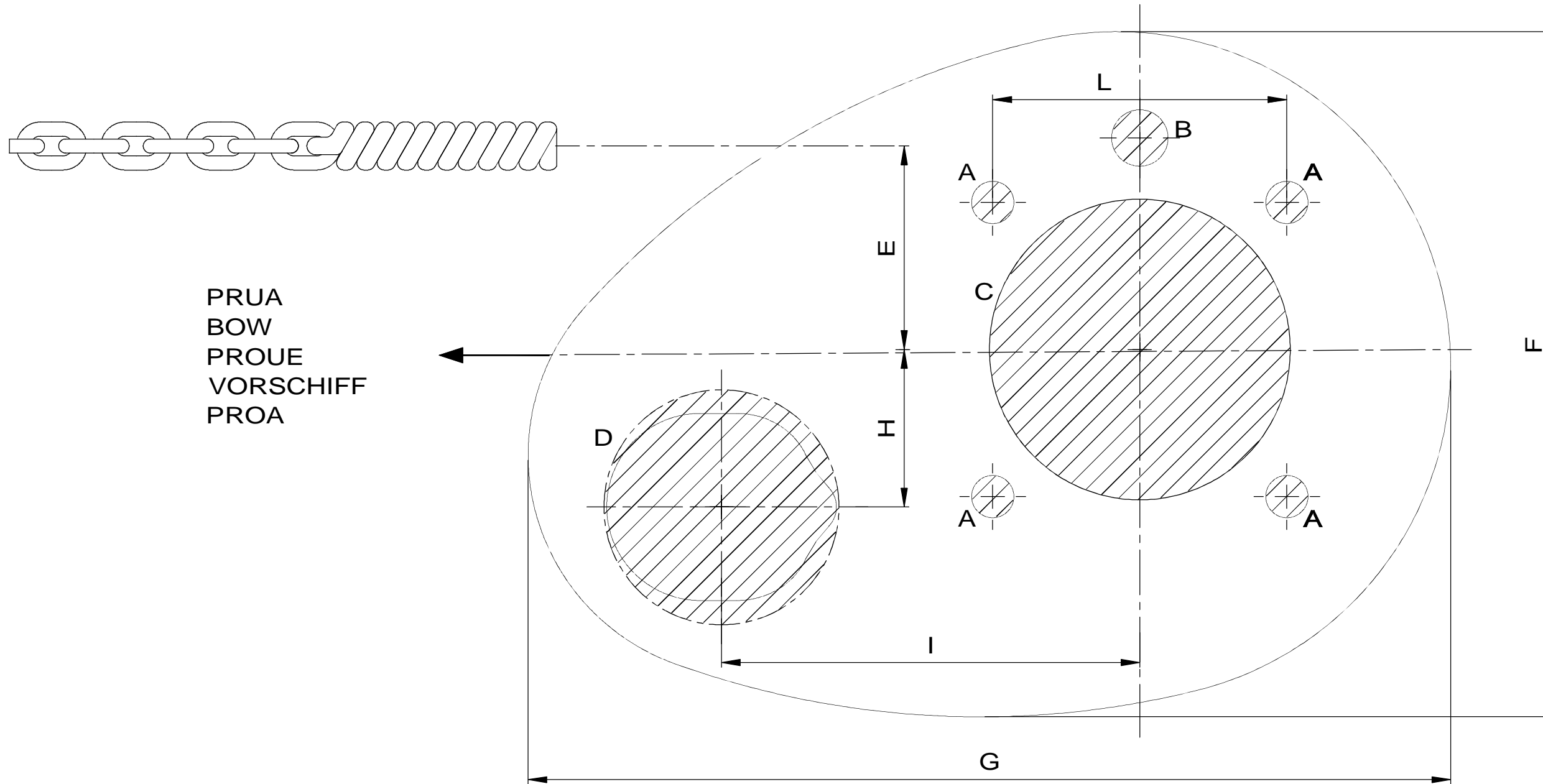
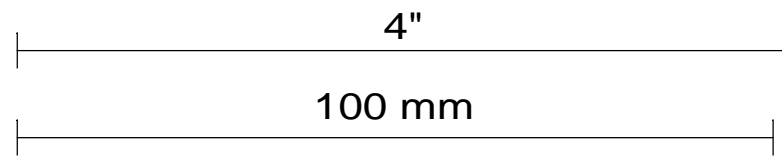


# DP2



PRUA  
BOW  
PROUE  
VORSCHIFF  
PROA



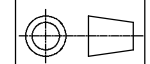
	A	B	C	D	E	F	G	H	I	L
mm	ø9	ø11	ø64	ø51	44	145.79	196.26	33.5	89	62.6
inch	ø23/64	ø7/16	ø2" 1/2	ø2"	1" 3/4	5" 47/64	7" 3/4	1"5/16	3" 1/2	2" 15/32



Name  
**DRILLING TEMPLATE**

Model  
DP2

Size  
A3



Rev. 

1	2	3	4
---	---	---	---

Scale 1:1

Drawing units mm

Date 10/08/2011

This is an unpublished work the copyright in which rest in Quick s.r.l. All this document and its information is supplied without liability for error or party may be reproduced used or disclosed except as authorized by contract or permission.