

**LOWRANCE®**

MARINE ELECTRONICS | 2021





## **THE LOWRANCE® LEGACY.**

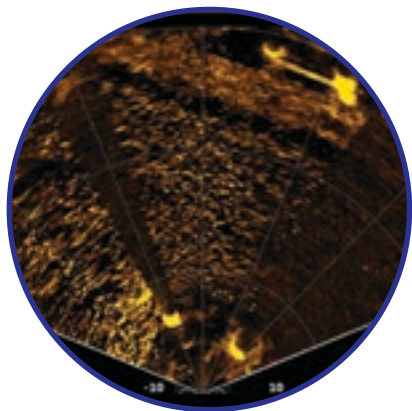
It all started in the 1950s, with Darrell Lowrance and his efforts to use transistorized sonar technology to detect fish. His vision has defined the Lowrance legacy for more than six decades – a legacy born on the water.

He set out to change the way people fished. He did just that in 1957 with the introduction of the first recreational fishfinder, the FISH-LO-K-TOR, affectionately known by millions as the Little Green Box.

That first Lowrance fishfinder spawned the recreational fishfinder industry and set Lowrance, the brand, on a path of innovation and achievement that still drives us today.

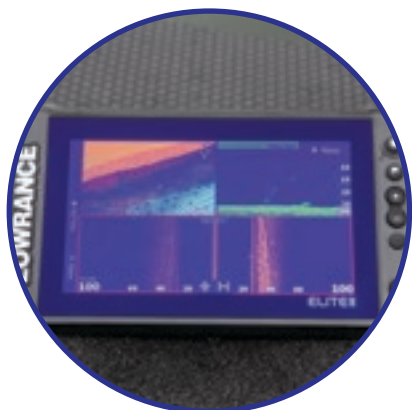
Our legacy as the top brand in marine electronics has been sustained by more than 60 years of innovation, reliability and quality, all driven by a never-ending quest to help anglers find more fish.

## WHAT'S NEW FOR 2021?



### ACTIVETARGET™ LIVE SONAR - GAME ON!

Take your fishing from good to great with a new, high resolution ActiveTarget Live Sonar that allows you to scan fish locations and easily track fish movements with Forward, Down and new Scout™ views.



### TARGETING FISH JUST GOT EASIER

Compatible with the full line-up of Lowrance Sonar, new Elite™ FS displays include support for new ActiveTarget Live Sonar and Active Imaging™.



### THE BEST TROLLING MOTOR JUST GOT BIGGER

Lowrance has expanded the Ghost® trolling motor family to include the new Ghost 60 and Ghost 52 designed for boats with higher bows.



## TABLE OF CONTENTS

<b>02</b>	<b>SONAR TECHNOLOGY</b>
<b>04</b>	<b>FAMILY OVERVIEW</b>
<b>06</b>	<b>HDS LIVE</b>
<b>08</b>	<b>ELITE FS</b>
<b>10</b>	<b>HOOK™ REVEAL</b>
<b>12</b>	<b>ICE FISHING</b>
<b>13</b>	<b>KAYAK FISHING</b>
<b>14</b>	<b>GHOST TROLLING MOTOR</b>
<b>16</b>	<b>C-MAP® CARTOGRAPHY</b>
<b>18</b>	<b>NAVIGATION</b>
<b>19</b>	<b>NETWORKING</b>
<b>20</b>	<b>PART NUMBER LIST</b>
<b>24</b>	<b>SPECS &amp; DRAWINGS</b>

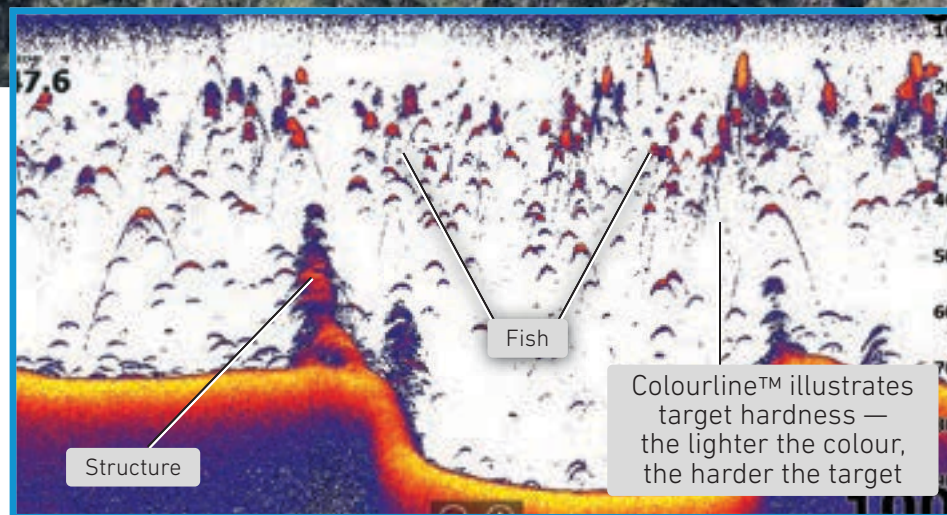
# SONAR TECHNOLOGY

**NEW!**



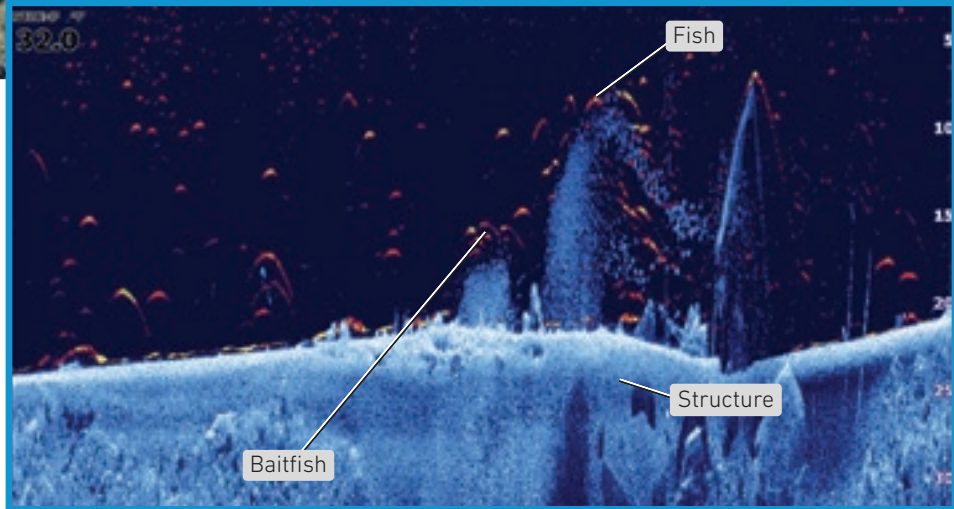
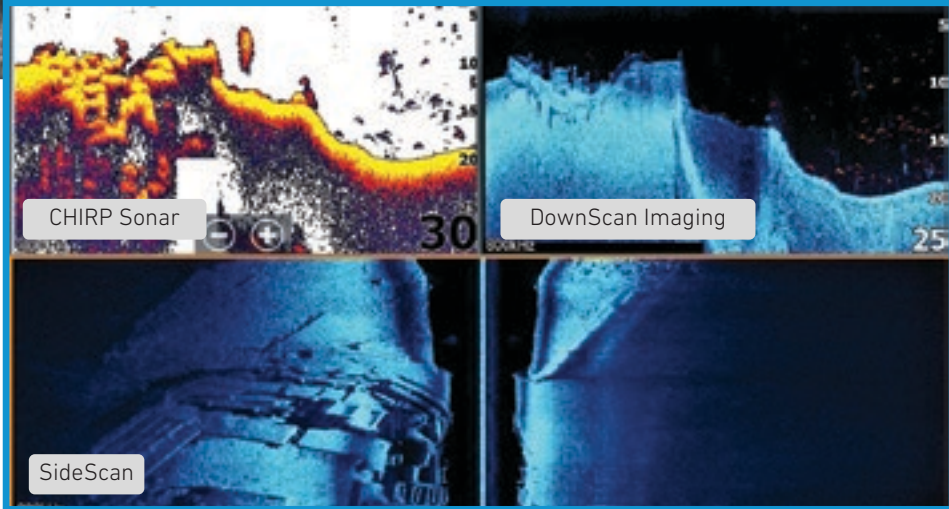
## ACTIVETARGET™ LIVE SONAR

See high-resolution images of fish swimming around structure and responding to your lure – as it happens – with new ActiveTarget Live Sonar. Featuring Forward, Down or Scout™ views, ActiveTarget Live Sonar can scan fish locations and easily track their movements. See how fish relate to structure and respond to lure presentations, so you can make the right adjustments to make them strike.



## LOWRANCE® CHIRP

Get the best views of fish right out of the box – even when they are close to the bottom or suspended in tight schools – with Lowrance CHIRP sonar, featuring exclusive Advanced Signal Processing (ASP™).



## ACTIVE IMAGING™

Perfect for pinpointing fish-holding areas like rockpiles, standing timber, weedbeds, ditches and drop-offs, Active Imaging™ 3-in-1 with Lowrance CHIRP, SideScan and DownScan Imaging™ delivers superior clarity, the best target separation and extreme, high-resolution images of fish and structure at a longer range than any other structure imaging technology.

## FISHREVEAL™

Makes fishing easier by combining on one screen the proven target identification of Lowrance CHIRP sonar with the high-resolution images of bottom detail and structure from DownScan Imaging.

# FAMILY OVERVIEW



## HDS LIVE

### Ultimate Fishing System™

Used by more fishing tour pros than any other brand, HDS™ LIVE displays have the clearest and brightest SolarMAX™ HD IPS screens and the fastest processor. Available in 16-, 12-, 9 and 7-inch models, HDS LIVE displays include support for new high-resolution ActiveTarget™ Live Sonar and Active Imaging™ 3-in-1.

## ELITE FS

### Targeting Fish Just Got Easier

Elite™ FS includes support for the complete line-up of Lowrance® sonar in an easy to use and easy to install package. Elite FS is available in 9- and 7-inch and includes support for new, high-resolution ActiveTarget Live Sonar and Active Imaging 3-in-1.

## HOOK REVEAL

### A Revelation in Easy Fish Finding

Available in 9-, 7- and 5-inch models HOOK™ Reveal is designed for ease of use, featuring Autotuning Sonar, FishReveal™ and Genesis® Live real-time mapping, which makes locating key fishing areas – or mapping new ones – quick and easy.

CAPABILITIES	HDS LIVE	ELITE FS	REVEAL
SolarMAX™ HD Display	■		
SolarMAX™ Display		■	■
Touchscreen	■	■	
Multi-touch	■	■	
High-Performance Processor	■		
CHIRP	■	■	■
DownScan Imaging™	■	■	■
SideScan	■	■	■
FishReveal™	■	■	■
ActiveTarget™	■	■	
Active Imaging™ 3-in-1	■	■	
LiveSight™ Real-Time Sonar*	■		
LiveCast™**	■		
Genesis Live	■	■	■
Automatic Routing	■	■	
Ghost Trolling Motor	■	■	
Smartphone notifications	■	■	
Ethernet networking	■	■	
Live network sonar	■		
Dual Channel CHIRP	■		
Internal GPS antenna (excludes sonar only displays)	■	■	■
Wireless connectivity	■	■	
NMEA 2000®	■	■	
NMEA 0183	■		
Engine Integration	■	■	
SmartSteer MotorGuide® Xi5 trolling motor control	■	■	
SmartSteer™ outboard pilot	■	■	
Power-Pole® anchors	■	■	
Radar	■	■	
SonicHub® 2/NMEA 2000 Audio	■	■	
Video input	■		

\*Elite FS requires a PSI-1 module or to be connected to an HDS Live  
 \*\*Compatible only with HDS-12 and HDS-16 Live



## Lowrance App

The Lowrance App can be used as a standalone tool or synced with Lowrance devices for added benefits – from device registration, software updates and other downloads to saving waypoints, routes and trails, making them accessible both on and off the water. The app works from a smart phone, tablet or computer and is available on the Android® Play Store and Apple® App Store.



# HDS LIVE

**THE ULTIMATE FISHING SYSTEM™**



Whether you are a tournament fisherman, seasoned pro or a weekend warrior – for all anglers that are serious about catching fish in freshwater or saltwater – we have your fishfinder. It's HDS LIVE.

From support for new high-resolution ActiveTarget™ Live Sonar and extreme high-definition Active Imaging™ with Lowrance® CHIRP, SideScan and DownScan Imaging™, to the Ghost® trolling motor – you will find more fish with HDS LIVE – that's a fact.





## KEY FEATURES

- New! ActiveTarget Live Sonar Ready
- SolarMAX™ HD screens with the brightest and clearest sonar images
- Fastest processor for smoother operation and quicker chart redraws
- Support for Active Imaging 3-in-1 sonar with SideScan and DownScan Imaging
- FishReveal™
- Full integration with Ghost Trolling Motor
- C-MAP® Genesis® Live mapping
- C-MAP Easy Routing™ + Navionics® Autorouting™ capability
- LiveCast™ smartphone (16/12 only)
- Smartphone notifications
- True High-Definition, six-panel splitscreen (HDS LIVE 16 only)
- Touchscreen control of trolling motor, outboard pilot and Power-Pole
- SonicHub®2 Audio ready
- HALO®24, 20+ and 20 Pulse Compression Radar Compatible
- Mercury® VesselView® Link ready
- Sleek, true flush-mount design
- Wide range of mapping options including C-MAP, Navionics® and more

# ULTIMATE FISHING SYSTEM



### Communication

Choose from our full range of VHF radios



### Halo Radar

Safer navigation early morning or evening with Halo Radar



### Music

Audio Control at your fingertips from JL Audio, Clarion and Polk Audio

### Autopilot

Pick a heading, waypoint or route and control it all from the HDS Live

### Engine Intergration

Access engine data and control engine functions from the screen\*

\*Engine control only available on Mercury, Yamaha and Evinrude



### Sonar

Control a choice of the latest sonar technologies including 1kW Dual Channel CHIRP transducers



### HDS Live

The heart of your Ultimate Fishing System

## YOUR ULTIMATE FISHING SYSTEM BEGINS WITH HDS LIVE.

Build your Ultimate Fishing System with HDS LIVE, simply add your choice of fish-finding tools – from ActiveTarget Live Sonar, Active Imaging 3-in-1 with SideScan/DownScan Imaging and FishReveal to Power-Pole Shallow Water Anchors, the Ghost Trolling Motor and more.

# ELITE FS

**TARGETING FISH JUST GOT EASIER**



The new Elite Fishing System™ (FS) combines the power of the full line-up of Lowrance® fishfinding tools in a more affordable, easy-to-use display.

From new high-resolution ActiveTarget™ live sonar and extreme high-definition Active Imaging™ with Lowrance CHIRP sonar, SideScan/DownScan Imaging™ and FishReveal™, Elite FS gives you all the tools you need to find and catch more fish.

Elite FS displays bring enhanced integration capability to the Elite series with full Ethernet networking, wireless connectivity and engine integration, plus touchscreen control of Power Pole® anchors and the Ghost® Trolling Motor.



## KEY FEATURES

- New! ActiveTarget Live Sonar ready
- Active Imaging 3-in-1 ready
- FishReveal
- C-MAP Easy Routing™, Navionics® Autorouting capability
- C-MAP Genesis Live Real-Time Mapping
- Multitouch
- Halo® 20, 20+ and 24 Radar compatible
- Wide range of mapping options including C-MAP, Navionics® and more
- Touchscreen control of MotorGuide® Xi5 trolling motors and Power Pole shallow water anchors
- SonicHub®2 Audio Server ready
- Engine integration and outboard pilot control
- Wireless connectivity
- Full Ghost Trolling Motor integration
- Full networking
- Easy to use, easy to install

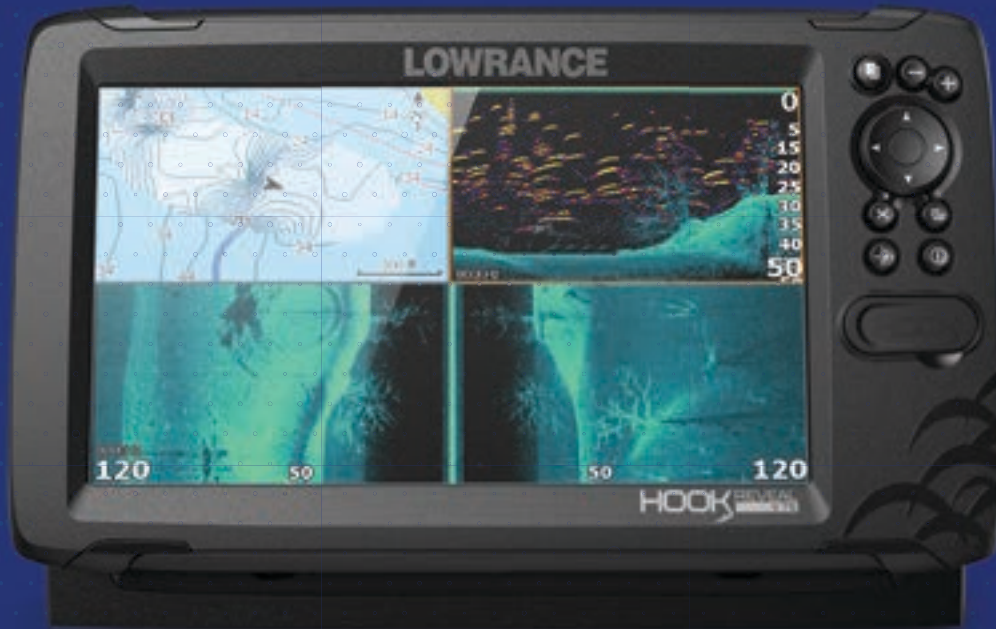


## NEW ACTIVETARGET LIVE SONAR

Add ActiveTarget to your Elite FS system and track fish and your presentation with high-resolution views in front or below your boat, or use the Scout mode to see an ultra-wide, overhead view of structure and fish activity in front of your boat, perfect for finding bait balls and big schools of fish.

# HOOK REVEAL

**A REVELATION IN EASY FISH FINDING**



HOOK™ Reveal makes fishing easier, delivering powerful performance with proven fish-finding tools, including Autotuning Sonar, SideScan\* and DownScan Imaging™, plus FishReveal™, a powerful fish-finding feature that makes fish easier to see by combining the benefits of Lowrance® CHIRP sonar and DownScan Imaging on one screen. Whether you're fishing a local spot or unfamiliar water, find the best fishing and map uncharted water – in real time – with Genesis Live®.



## KEY FEATURES

- Easy to use
- Models available with TripleShot (High CHIRP | SideScan | DownScan Imaging) or SplitShot (High CHIRP | DownScan) transducers
- FishReveal
- Genesis Live Real-Time Mapping
- Enjoy automated sonar settings with Autotuning Sonar
- SolarMAX™ Display
- Double the sonar coverage of traditional fish finders
- Wide range of fishfinding colour palettes
- Keypad with one-touch access to key features
- Mapping options include C-MAP, C-MAP Genesis, Navionics® and more
- MicroSD card slot
- Easy front-dash or gimbal-bracket mount



### GENESIS LIVE - MAPPING IN REAL TIME

Update the mapping of your favourite fishing spot or map uncharted areas – in real time – on the screen of your fishfinder/chartplotter with C-MAP Genesis Live.



## THERE'S A HOOK MADE FOR YOU

Select a HOOK Reveal for the way you fish from combos featuring Tripleshot 3-in-1, 50/200 HDI sonar, 83/200 HDI sonar and HOOK2 Bullet sonar with chartplotter or basic GPS plotter navigation capability.

MODEL	HOOK <sup>2</sup> 4X	HOOK <sup>2</sup> 4X Plotter	HOOK Reveal 5	HOOK Reveal 7	HOOK Reveal 5	HOOK Reveal 7	HOOK Reveal 9	HOOK Reveal 7	HOOK Reveal 9
TRANSDUCER	BULLET	BULLET	83/200 HDI	83/200 HDI	50/200 HDI	50/200 HDI	50/200 HDI	TRIPLESHOT	TRIPLESHOT
FISHREVEAL									
BROADBAND SOUNDER									
CHIRP									
DOWNSCAN IMAGING									
SIDESCAN IMAGING									
GENESIS LIVE									
GPS MAPPING									
GPS PLOTTER									
DEEP WATER PERFORMANCE			✓	✓	✓✓	✓✓	✓✓		

# ICE FISHING

Lowrance® Ice Machines, All-Season and Portable Power Packs are easy to transport, come with an adjustable display mount, a pair of tackle boxes, a power cable and a battery ensuring you have everything you need, whether you are fishing from a small boat, or a stationery location, like ice or a dock

## HOOK REVEAL 7 ICE MACHINE

You'll get better views of fish and the water column when you take the HOOK™ Reveal 7 Ice Machine on your next fishing trip. The perfect mix of simplicity and power, HOOK Reveal displays are easy to use, offer quick access to key features and deliver proven Lowrance CHIRP performance.

## HOOK REVEAL 5 ICE MACHINE

The HOOK Reveal 5 Ice Machine offers simple menus, easy access to key functions and Autotuning sonar. Powered by proven Lowrance performance, the Ice Machine features High CHIRP coverage, plus a built-in GPS.

## PORTABLE POWER PACKS

Whether fishing from the ice, a bank or a dock, you will have an easier time viewing sonar returns with the new Elite™ FS and HOOK Reveal Portable Power Packs, which support 7-inch displays. Use your 7-inch display on your boat or go portable and take it anywhere you fish.

## HOOK<sup>2</sup> 4X ALL SEASON PACKS

From frozen lakes to summer heat and everything in between, you'll be fishing ready for all conditions with portable, HOOK<sup>2</sup> 4x All-Season Packs, featuring high-resolution 4-inch display, Lowrance Broadband sonar and exclusive Autotuning sonar. All-Season Packs are available as sonar only and GPS Plotter models.



HOOK 7 Ice Machine



HOOK<sup>2</sup> 4x All Season Pack



# KAYAK FISHING

Kayak fishing has never been more popular and for good reason. Kayaks are more affordable than boats, provide access to areas boats can't reach and are easier to transport and store.

Rig your kayak with one of our Elite FS or HOOK Reveal displays and you can bring the same fishfinding sonar boaters have relied on for decades to your kayak.

## KAYAK KIT

The Portable Kayak Kit secures the battery, transducer and display to a single box, making it easy to mount and remove Lowrance products from the kayak, and features built-in transducer cable management that keeps excess transducer cable away from the anglers fishing from a kayak.

### KEY FEATURES:

- CellBlok™ supports 6AH 12V battery
- CellBlok is compatible with any unit that uses the Lowrance Quick Release Bracket
- Built-in transducer cable management keeps excess transducer cable out of the way
- RAM® Mount swing arm allows quick and easy mounting of all Lowrance Skimmer® transducers.



## KAYAK SCUPPER MOUNT

The Kayak Scupper Mount is the most convenient way to mount Lowrance transducers on sit-on-top kayaks without the hassle of drilling holes or using messy adhesives. The Scupper Mount ensures the transducer is totally submerged in the water while fishing, which provides maximum sonar sensitivity and the clearest views of structure and fish. Fits Lowrance Skimmer transducers, including HDI® with DownScan Imaging™.



# GHOST

## TROLLING MOTOR

### **QUIET BY NAME. POWERFUL BY DESIGN.**

Fish longer, run faster and move in closer to the fish with rugged, reliable and ultra-quiet Ghost® Trolling Motors. Available with 47-, 52- and 60-inch shafts, Ghost has a quiet and powerful brushless motor with the most thrust and the longest run time of any trolling motor on the market.

Never spook another fish with the Ghost brushless motor, which delivers 25-percent more power and 60-percent greater efficiency, allowing you to silently cover more water, easily anchor when and where you want – even in strong winds – and stay on the water longer without draining your battery.

### **KEY FEATURES**

- Reliable
- Silent Operation
- Fastest Top-End Speed
- Total Integration with HDS™ LIVE and Elite™ FS
- ActiveTarget™ Live Sonar mounting options
- Fly-By-Wire Steering
- Plug-and-Play HDI™ Nosecone, plus optional Active Imaging™ 3-in-1 Nosecone
- Configurable Foot-pedal
- Interference Free
- Flexible Installation
- 360° Breakaway Mount
- Easy to Stow and Go



### **○ NOW AVAILABLE WITH 52- AND 60-INCH SHAFTS!**

New longer trolling motor shafts perfect for boats with higher bows.

### **○ INCREDIBLE PERFORMANCE**

Zoom from spot to spot or zip across the cove with up to 25-percent more thrust than competing models. Ghost's brushless motor also delivers 60-percent better run-time efficiency.







## ○ SILENT OPERATION

So silent you'll wonder if it's running, Ghost allows you to move in closer than ever before with its ultra-quiet brushless motor. Fish will never hear you coming.

## ○ TOTAL INTEGRATION

Steer your boat, adjust your speed, set up route navigation or anchor at your current location with full touchscreen control from HDS LIVE, HDS Carbon and Elite FS displays.

## ○ OWN YOUR SPOT

Ghost's powerful and precise anchoring lets you anchor your boat on a waypoint, at your current location or anywhere on the map – regardless of wind conditions.

## ○ FLY-BY-WIRE STEERING

Instant and smooth fly-by-wire steering control gives Ghost the feel of a traditional cable-steer motor, but without the physical cables that wear out over time.

## CONFIGURABLE FOOT-PEDAL

Configurable Ghost foot pedal has programmable shortcut buttons and a Flip Switch that allows the trolling motor to be driven from either side of the pedal. The foot pedal features a battery-level indicator, plus Anchor and Heading mode quick access keys. Program the shortcut buttons to quickly drop a waypoint or raise/lower a Power-Pole®.



## TMR-1 REMOTE

Control the Ghost trolling motor from anywhere on your boat with the optional TMR-1 Remote.

(Included with Ghost 60).

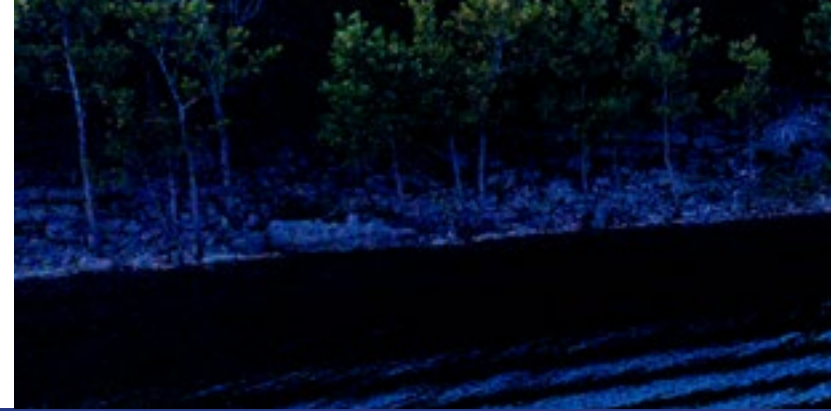


## ACTIVE IMAGING NOSECONE TRANSDUCER

The Active Imaging 3-in-1 Nosecone transducer delivers superior clarity and the highest resolution images of fish and structure at a longer range than any other structure imaging technology.



Lowrance<sup>®</sup> fishfinder/chartplotters are compatible with a wide range of chart options, allowing you to handpick a map that best suits your mapping preferences from C-MAP<sup>®</sup>, Navionics<sup>®</sup> and more.



## NEW! C-MAP DISCOVER™ • ULTRA-WIDE COVERAGE WITH ALL THE FEATURES

### KEY FEATURES:

- Full-Featured Ultra-Wide Coverage
- High-Resolution Bathymetry
- Custom Depth Shading
- Easy Routing
- Detailed Marina Port Plans
- Online Updates (12 months free)
- Full Featured Vector Charts
- Tides & Currents
- Harbour & Approach Details



## NEW! C-MAP REVEAL™ • THE BEST MAPPING WITH REVEAL SHADED RELIEF

Whether cruising, fishing or sailing, C-MAP REVEAL charts present the very best of C-MAP including all DISCOVER features, plus Shaded Relief, Reveal Seafloor coverage and more.

### KEY FEATURES:

- C-MAP Reveal seafloor coverage
- High-Resolution Bathymetry
- Shaded Relief
- Aerial Photography
- Satellite Overlay
- Dynamic Raster Charts
- Full Featured Vector Charts
- Custom Depth Shading
- Easy Routing
- Tides & Currents
- Detailed Marina Port Plans
- Harbour & Approach Details
- Online Updates (12 months free)




### **C-MAP GENESIS®**

C-MAP Genesis allows you to create your own high definition fishing maps with one-foot contours. You can upload your maps to the community and explore and download other maps created by other users.

#### **KEY FEATURES:**

- Survey quality Contour Data
- Custom depth shading
- Points of Interest
- High resolution satellite imagery
- Preset Depth Shading Palettes, including Safety Shading
- Includes fishing regulations, records and ID photos

 **NAVIONICS®** Navionics charts offer optional high-definition layers, including 3D, Satellite Overlay, Panoramic Port Pictures, Dynamic Tides & Current, SonarChart™ Live and much more.

# NAVIGATION

Navigating with Lowrance® has never been safer or easier – from revolutionary HALO® Radar and Link™-6S and Link-9 VHF Radios to the Precision™-9 compass and SmartSteer™ control of the Lowrance Outboard Pilot – you will have more control and greater situational awareness than ever.



## HALO RADAR

Available with industry-leading 60 RPM operation at close range, HALO Radar delivers the ultimate in collision avoidance. Identify hazards in an instant with VelocityTrack™ Doppler technology and enjoy simultaneous short- and long-range coverage. HALO24, HALO20+ and HALO20 Radars are compatible with HDS™ LIVE and Elite™ FS displays.

## LINK-9

The Link-9 features an integrated GPS receiver, a removable fist mic, NMEA 2000® connectivity, a built-in dual channel AIS receiver with AIS plot functionality, dual watch, tri-watch, all-scan, more intuitive user interface, a larger LCD and a new industrial design.

## LINK-6S

Communicate clearly with this dependable Class D DSC Approved marine VHF radio featuring a four-button fist microphone, intuitive rotary and keypad controls and a new front-mountable mechanical design for easy installation.

## PRECISION-9

The Precision-9 Compass measures motion on nine separate axes to supply the most accurate heading and rate-of-turn information possible for Lowrance autopilot, radar and navigation systems.

## LOWRANCE OUTBOARD PILOT

Lowrance autopilot packs for HDS displays provide automatic steering for cable-steer or hydraulic-steer outboard motors. Steer to a heading, waypoint or along a route with integrated SmartSteer control on HDS LIVE and HDS Carbon displays.

## POINT-1 GPS

Integrated electronic compass provides 10Hz GPS position updates plus compass heading for chart stabilization and radar overlay, plus accurate vessel heading, even at low speeds.

# NETWORKING

With Lowrance networking solutions, you can download C-MAP® Genesis® maps, map purchases and software updates directly to HDS LIVE and Elite FS displays. View/control your HDS or Elite FS display on a smartphone/tablet, stream music, monitor the weather and more.



## **POWER POLE® CONNECTIVITY**

Enjoy independent or simultaneous control of multiple Power-Pole Shallow Water Anchors and make manual or automatic adjustments directly from your touchscreen of HDS LIVE and Elite FS displays.

## **SONICHUB2 MARINE AUDIO SERVER**

The ultimate marine audio entertainment system, the Lowrance SonicHub®2 features integrated Bluetooth®, allowing you to stream music including Pandora® (where available) from a smartphone or tablet. The system supports AM/FM radio and playback from a USB drive or iPod.

## **NMEA 2000®**

Lowrance NMEA 2000 network devices will share and/or display user-selectable data with displays and instruments installed on a NMEA 2000 network.

# LOWRANCE PART NUMBERS

## HDS LIVE

HDS LIVE 16	With Active Imaging™ 3-in-1 (ROW)	000-14437-001
HDS LIVE 16	No Transducer (ROW)	000-14436-001
HDS LIVE 12	With Active Imaging™ 3-in-1 (ROW)	000-14431-001
HDS LIVE 12	No Transducer (ROW)	000-14430-001
HDS LIVE 9	With Active Imaging™ 3-in-1 (ROW)	000-14425-001
HDS LIVE 9	No Transducer (ROW)	000-14424-001
HDS LIVE 7	With Active Imaging™ 3-in-1 (ROW)	000-14419-001
HDS LIVE 7	No Transducer (ROW)	000-14418-001
LR-1 Remote	LR-1 Remote Control for HDS LIVE Displays	000-14505-001

## ELITE FS

Elite FS 7	Active Imaging 3-in-1 ROW	000-15689-001
Elite FS 9	Active Imaging 3-in-1 ROW	000-15693-001
Elite FS 7	HDI ROW	000-15697-001
Elite FS 7	NO XD ROW	000-15702-001
Elite FS 9	NO XD ROW	000-15706-001

## HOOK RANGE

HOOK REVEAL	HOOK Reveal 9 TripleShot	High CHIRP / SideScan / DownScan Chartplotter	000-15531-001
	HOOK Reveal 9 50/200 HDI	Low/High CHIRP / DownScan Chartplotter	000-15527-001
	HOOK Reveal 7 TripleShot	High CHIRP / SideScan / DownScan Chartplotter	000-15520-001
	HOOK Reveal 7 83/200 HDI	Med/High CHIRP / DownScan Chartplotter	000-15518-001
	HOOK Reveal 7 50/200 HDI	Low/High CHIRP / DownScan Chartplotter	000-15516-001
	HOOK Reveal 5 83/200 HDI	Med/High CHIRP / DownScan Chartplotter	000-15504-001
	HOOK Reveal 5 50/200 HDI	Low/High CHIRP / DownScan Chartplotter	000-15502-001
HOOK <sup>2</sup>	HOOK <sup>2</sup> 4x GPS Bullet	GPS Plotter with 200 kHz	000-14015-001
	HOOK <sup>2</sup> 4x Bullet	200 kHz	000-14013-001

## ICE MACHINES

H00K Reveal 7 Ice Machine	Ice Transducer	000-15543-001
Portable Power Pack	Portable Power Pack with Ice Transducer	000-15112-001
H00K Reveal 5 Ice Machine	Ice Transducer	000-15544-001
H00K <sup>2</sup> 4x GPS All-Season Pack	GPS Plotter with 200 kHz Transducer	000-14184-001
H00K <sup>2</sup> 4x All-Season Pack	200 kHz Transducer	000-14183-001

## GHOST TROLLING MOTOR

Ghost Trolling Motor	Freshwater 47" Trolling Motor	000-14937-001
Ghost 52 Trolling Motor	Freshwater 52" Trolling Motor	000-14938-001
Ghost 60 Trolling Motor	Freshwater 60" Trolling Motor with TMR-1 Remote	000-15480-001
Ghost Trolling Motor	Active Imaging 3-in-1 Nosecone	000-14900-001
TMR-1 Remote	Ghost Trolling Motor Remote	000-15468-001

## NMEA 2000 NETWORK SENSORS

Fluid Level	NMEA 2000 Fluid Level Sensor	000-11518-001
Fuel Flow	NMEA 2000 Fuel Flow Sensor	000-11517-001
Fuel Data	NMEA 2000 Fuel Data Manager	000-11522-001
Pressure Sensor	NMEA 2000 Pressure Sensor	000-11523-001
Temp Sensor	NMEA 2000 Temperature Sensor	000-11520-001
Thru-Hull Temp	NMEA 2000 Thru-Hull Temperature Sensor	000-11521-001
Speed Sensor	NMEA 2000 Paddlewheel Speed Sensor	000-11519-001

## AUDIO

SonicHub2	SonicHub2 Marine Audio Server + Lowrance speakers	000-12301-001
SonicHub2 Module	SonicHub2 Marine Audio Server - Module Only	000-12302-001
Speaker Pack	Lowrance 6.5" Marine Speakers	000-12304-001

## NAVIGATION

HALO24 Radar	Pulse Compression Radar	000-14541-001
HALO20+ Radar	Pulse Compression Radar	000-14542-001
HALO20 Radar	Pulse Compression Radar	000-14543-001
Precision-9 Compass	Precision-9 Solid State Compass	000-12607-001
NAIS-500	NAIS-500 System — Class B AIS with NPSL-500, GPS-500 Antenna	000-13963-001
Point-1 Antenna	Point-1 Heading and GPS Sensor	000-11047-001
Outboard Pilot Hydraulic Pack	Lowrance Outboard Pilot Hydraulic Pack	000-11748-001
Outboard Pilot Cablesteer Pack	Lowrance Outboard Pilot Cablesteer Pack	000-11749-001

## COMMUNICATION

Link-9 VHF	Link-9 Class D DSC VHF Radio	000-14472-001
Link-6S VHF	Link-6S Class D DSC VHF Radio	000-14493-001
Link-2 VHF	Link-2 DSC VHF HandHeld Radio	000-10782-001

## TRANSDUCERS—TRANSOM MOUNT

Transducer	Tilt	Frequency	Compatible Units	Connector	Part Number
Active Imaging 3-in-1	—	Med/High/CHIRP/SideScan/DownScan	HDS LIVE, HDS Carbon, Elite FS, Elite Ti <sup>2</sup>	9-Pin	000-14489-001
Active Imaging 3-in-1 (6-foot cable)	—	Med/High/CHIRP/SideScan/DownScan	HDS LIVE, HDS Carbon, Elite FS, Elite Ti <sup>2</sup>	9-Pin	000-14814-001
Active Imaging 2-in-1	—	SideScan/DownScan	HDS LIVE, HDS Carbon, Elite FS, Elite Ti <sup>2</sup>	9-Pin	000-14490-001
ActiveTarget	—	ActiveTarget with Module	HDS LIVE, HDS Carbon, Elite FS	9-Pin	000-15593-001
LiveSight	—	LiveSight Transducer with Mounts	HDS LIVE, HDS Carbon (Carbon Requires PSI-1)	9-Pin	000-14458-001
LiveSight PSI-1	—	Performance Sonar Interface	HDS Carbon	—	000-14899-001
High Speed Skimmer	—	Med/High CHIRP	HDS LIVE, HDS Carbon, Elite FS, Elite Ti <sup>2</sup> , Elite Ti, HOOK <sup>2</sup> 12/9/7/5*	9-Pin	000-14884-001
High Speed Skimmer	—	Low/High CHIRP	HDS LIVE, HDS Carbon, Elite FS, Elite Ti <sup>2</sup> , Elite Ti, HOOK <sup>2</sup> 12/9/7/5*	9-Pin	000-14885-001
HDI Skimmer (Lowrance Blue)	—	Med/High CHIRP/DownScan	HDS LIVE, HDS Carbon, Elite FS, Elite-Ti <sup>2</sup> , Elite Ti, HOOK <sup>2</sup> 12/9/7/5*	9-Pin xSonic	000-12570-001
HDI Skimmer	—	Low/High CHIRP/DownScan	HDS LIVE, HDS Carbon, Elite FS, Elite-Ti <sup>2</sup> , Elite Ti, HOOK <sup>2</sup> 12/9/7/5*	9-Pin xSonic	000-12569-001
Bullet Skimmer	—	200 kHz	HOOK <sup>2</sup> 4x Bullet	6-Pin	000-14027-001
SplitShot	—	High CHIRP/DownScan	HOOK <sup>2</sup> SplitShot Displays	8-Pin	000-14028-001
TripleShot	—	High CHIRP/SideScan/DownScan	HOOK <sup>2</sup> TripleShot Displays	8-Pin	000-14029-001

\*Requires Adaptor Cable

## MOUNTING ACCESSORIES

Kayak Kit	Portable Kayak Kit	000-12292-001
-----------	--------------------	---------------



## TRANSDUCERS—THRU HULL

Transducer	Tilt	Frequency	Compatible Units	Connector	Part Number
LiveSight	—	LiveSight Down Thru-Hull	HDS LIVE, HDS Carbon (Carbon Requires PSI-1)	9-Pin	000-14897-001
StructureScan 3D (Stainless steel, single)	—	3D/SideScan/DownScan	HDS LIVE, HDS Carbon	Dual 12-Pin	000-13559-001
StructureScan 3D (Stainless steel, pair)	—	3D/SideScan/DownScan	HDS LIVE, HDS Carbon	Dual 12-Pin	000-13560-001
StructureScan HD (Plastic, single)	—	SideScan/DownScan	HDS LIVE, HDS Carbon	9-Pin	000-11029-001
StructureScan HD (Stainless steel, single)	—	SideScan/DownScan	HDS LIVE, HDS Carbon	9-Pin	000-11459-001
StructureScan HD (Stainless steel, pair)	—	SideScan/DownScan	HDS LIVE, HDS Carbon	9-Pin	000-11460-001
StructureScan 3D (Stainless steel, single)	—	Low/High CHIRP/3D/SideScan/DownScan	HDS LIVE*, HDS Carbon	Dual 12-Pin, 7-Pin	000-14254-001
StructureScan 3D (Stainless steel, single)	—	Med/High CHIRP/3D/SideScan/DownScan	HDS LIVE*, HDS Carbon	Dual 12-Pin, 7-Pin	000-14255-001
TotalScan (Stainless steel, single)	—	Low/High CHIRP/SideScan/DownScan	HDS LIVE, HDS Carbon, Elite Ti <sup>2</sup> , Elite Ti	9-Pin	000-14259-001
TotalScan (Stainless steel, single)	—	Med/High CHIRP SideScan/DownScan	HDS LIVE, HDS Carbon, Elite Ti <sup>2</sup> , Elite Ti	9-Pin	000-14257-001
Bronze HDI	0	Low/High CHIRP/DownScan	HDS LIVE, HDS Carbon, Elite Ti <sup>2</sup> , Elite Ti	9-Pin	000-13905-001
	12	Low/High CHIRP/DownScan	HDS LIVE, HDS Carbon, Elite Ti <sup>2</sup> , Elite Ti	9-Pin	000-13906-001
	20	Low/High CHIRP/DownScan	HDS LIVE, HDS Carbon, Elite Ti <sup>2</sup> , Elite Ti	9-Pin	000-13907-001

\*Requires Adaptor Cable

## TRANSDUCERS—TROLLING MOTOR/SHOOT-THRU HULL

Transducer	Tilt	Frequency	Compatible Units	Connector	Part Number
Pod Shoot-Thru (No Temp)	—	Med/High CHIRP	HDS LIVE, HDS Carbon, Elite-Ti <sup>2</sup> , Elite Ti, HOOK <sup>2</sup> 12/7/5*	9-Pin	000-14886-001
Pod - Trolling Motor**	—	Med/High CHIRP	HDS LIVE, HDS Carbon, Elite-Ti <sup>2</sup> , Elite Ti, HOOK <sup>2</sup> 12/7/5*	9-Pin	000-14888-001
Pod Shoot-Thru (Remote Temp)	—	Med/High CHIRP	HDS LIVE, HDS Carbon, Elite-Ti <sup>2</sup> , Elite Ti, HOOK <sup>2</sup> 12/7/5*	9-Pin	000-14887-001

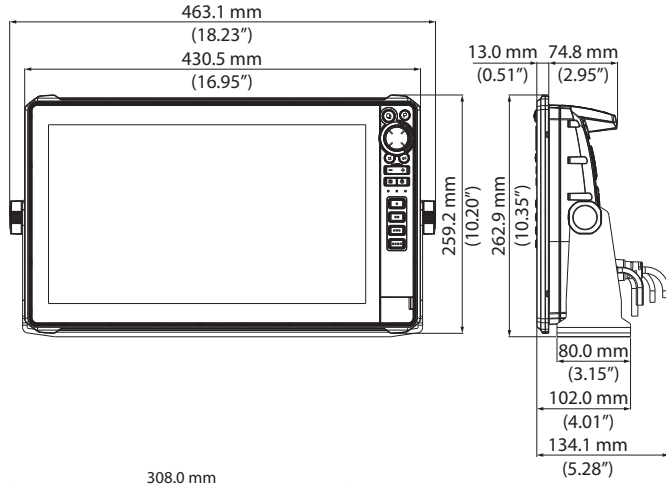
\*Requires Adaptor Cable, \*\*Trolling Motor Mount Only

## ADAPTOR CABLES

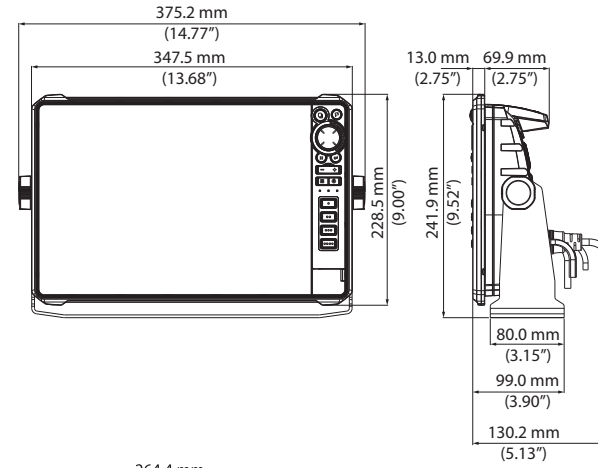
7-to-9 Pin Adaptor	Connects 7-Pin transducers to displays with 9-Pin connectors (HDS LIVE/Carbon/Elite Ti <sup>2</sup> , Elite Ti)	000-13313-001
7-Pin HOOK <sup>2</sup> Adaptor	Connects 7-Pin transducers to HOOK <sup>2</sup> 5/7/9/12	000-14068-001
9-Pin HOOK <sup>2</sup> Adaptor	Connect 9-Pin xSonic transducers to HOOK <sup>2</sup> 5/7/9/12	000-14069-001
9-Pin Black to 7-Pin Blue	Connects 9-Pin transducers to displays with 7-Pin blue connectors	000-13977-001
7-Pin to HOOK <sup>2</sup> 4x Adaptor	Connects 7-Pin transducers to HOOK <sup>2</sup> 4x displays	000-14070-001

## HDS LIVE Dimensions

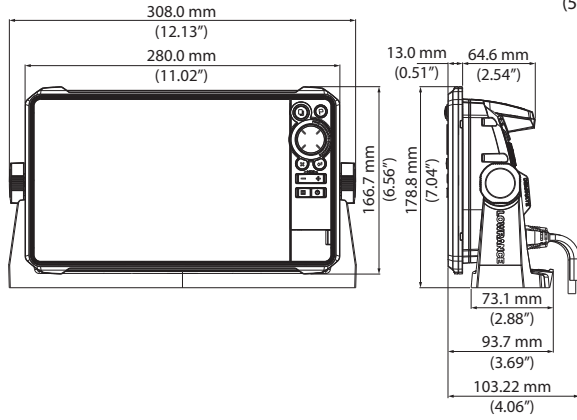
### HDS LIVE 16



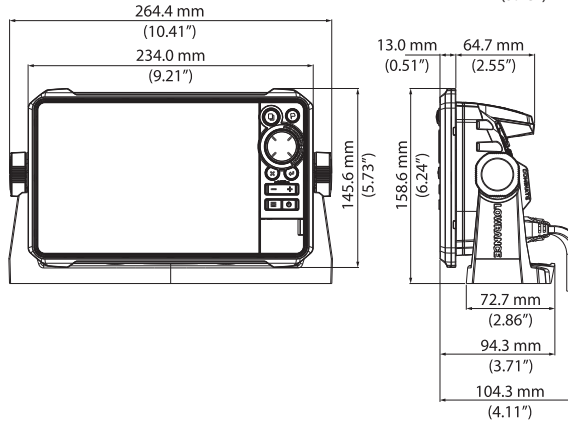
### HDS LIVE 12



### HDS LIVE 9

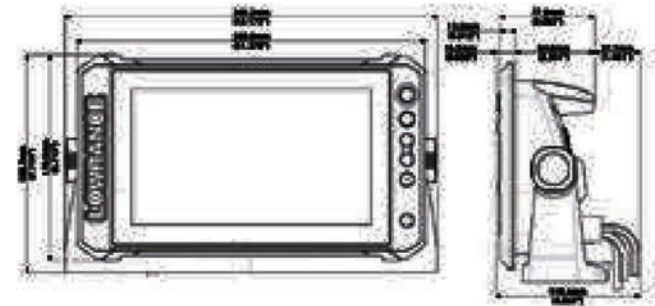


### HDS LIVE 7

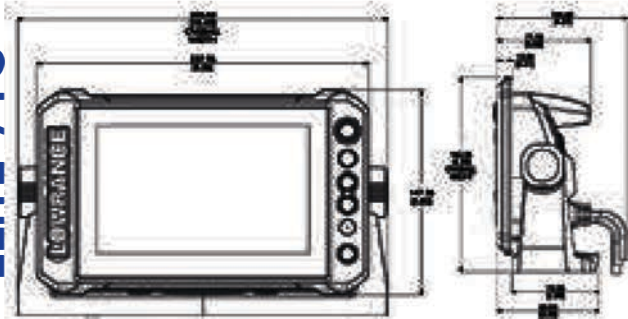


## ELITE FS Dimensions

### ELITE-9 FS

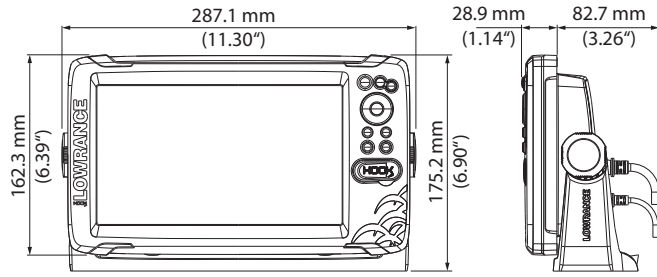


### ELITE-7 FS

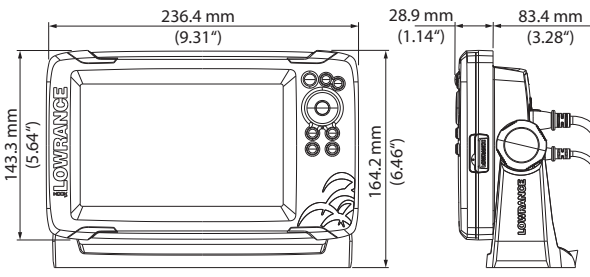


## HOOK REVEAL Dimensions

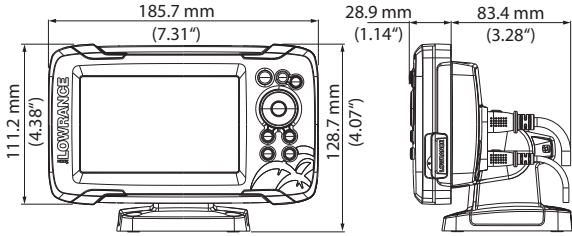
### HOOK REVEAL 9



### HOOK REVEAL 7

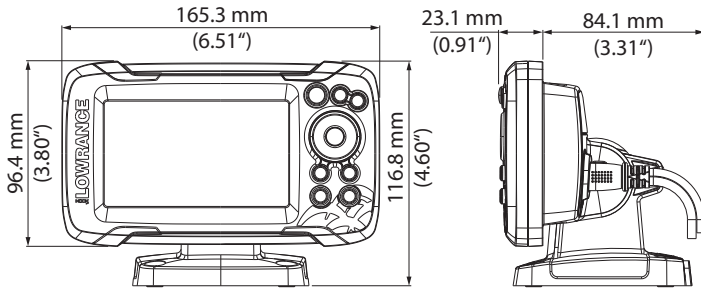


### HOOK REVEAL 5



## HOOK<sup>2</sup> Dimensions

### HOOK<sup>2</sup> 4X



# LOWRANCE

[www.lowrance.com](http://www.lowrance.com)

Products, features and specifications subject to change without notice.  
©2021 Navico®

 [facebook.com/lowrance](https://facebook.com/lowrance)  [twitter.com/lowrancefishing](https://twitter.com/lowrancefishing)

 [youtube.com/user/lowrance](https://youtube.com/user/lowrance)  [instagram.com/lowrancefishing](https://instagram.com/lowrancefishing)



FSC Details

LOW0905 (ENG) | 12-20 985-12582-001