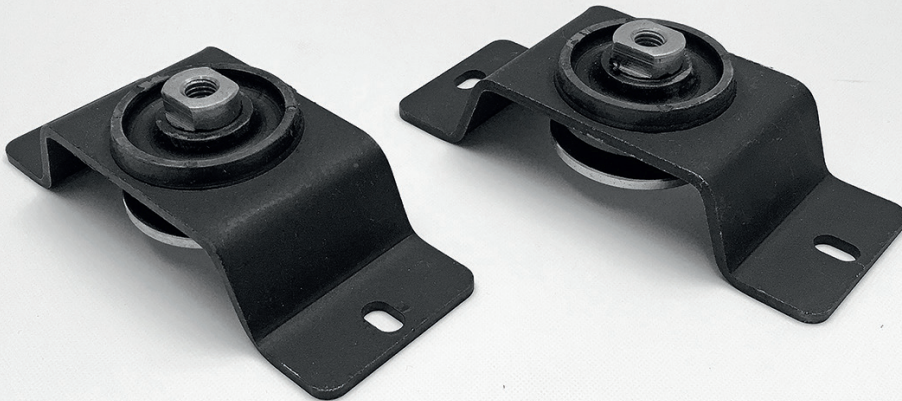


Fleximount series



Application

In vehicles, marine and buildings.
For instance:

- Compressors
- Fans
- Pumps
- Small generator sets
- Heat pumps
- Piping (used as hangers)
- Electronic cabinets

More information

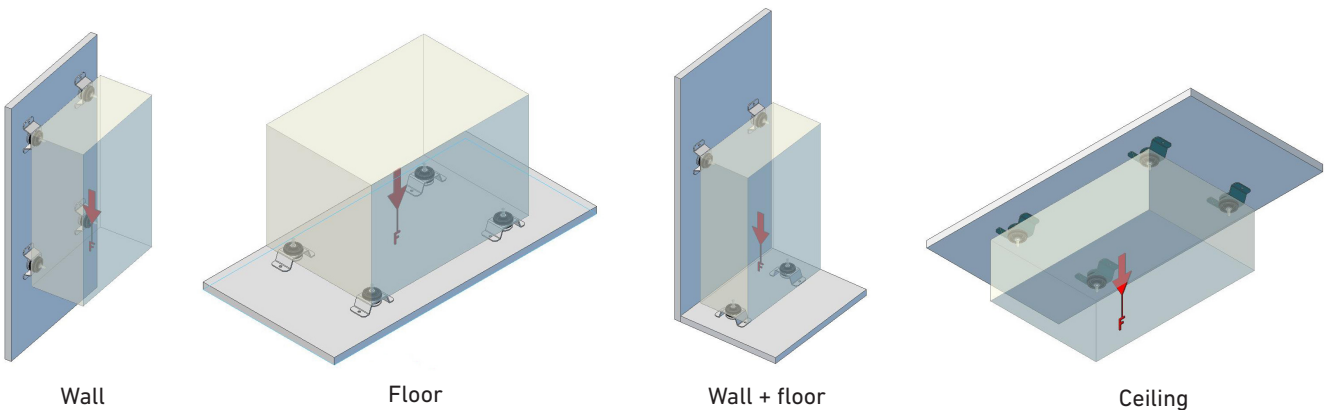
Tel: +31 (0)180 624 589
Email: sales@flexico.nl
www.flexico.nl

Flexico B.V.
Achterzeedijk 57 - Unit 8
2992 SB Barendrecht
The Netherlands

The Fleximount series are designed for optimal isolation of vibration from relative small installations. Fleximount can protect sensitive equipment against shock and vibration. They combine a soft vertical mode with stability in lateral direction.

The mountings are fail safe. Fleximount series can be applied in marine, mobile and industrial applications and in housing, factories and offices. They can be used in compression, shear and tension.

Installation examples



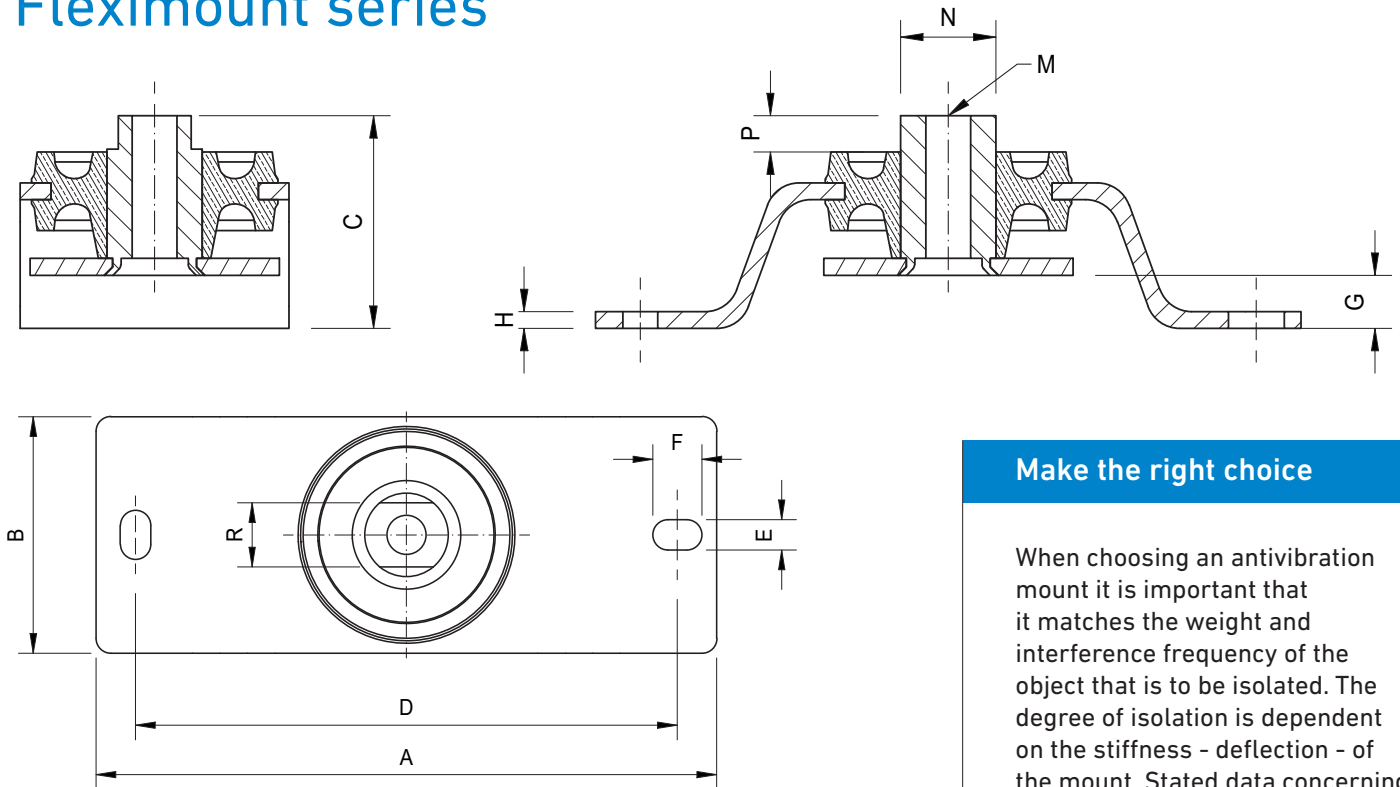
Wall

Floor

Wall + floor

Ceiling

Fleximount series



Make the right choice

When choosing an antivibration mount it is important that it matches the weight and interference frequency of the object that is to be isolated. The degree of isolation is dependent on the stiffness - deflection - of the mount. Stated data concerning stiffness are nominal static values. Consideration must be taken and checking must be made, concerning suitability in each particular application.

Please contact us for installation instructions or further advise from a Flexico engineer.

More information

Tel: +31 (0)180 624 589
Email: sales@flexico.nl
www.flexico.nl

Flexico B.V.
 Achterzeedijk 57 - Unit 8
 2992 SB Barendrecht
 The Netherlands

Optional: extra top washer

Dimensions

	A	B	C	D	E	F	G	H	P	N	M	R
FMM series	126	48	38	110	6,2	10	9,5	3	6,5	17	M8	13
FML series	130	60	52	110	8,5	13,5	10	4	8	17	M10	15

Dimensions in mm

FMM mount technical data

hardness	vert stiffness N/mm	max static load kg	max static defl. mm	stocked	color code
35	20	7	3,5	n	yellow
45	30	10,5	3,5	y	blue
60	58	19	3,5	y	white

Vertical: horizontal stiffness = 1:3

FML mount technical data

hardness	vert stiffness N/mm	max static load kg	max static defl. mm	stocked	color code
55	60	24	4	Y	red
60	80	32	4	n	white
70	100	40	4	y	orange
75	120	48	4	n	green

Vertical: horizontal stiffness = 1:3