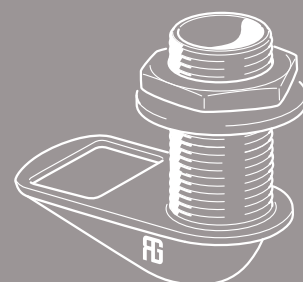
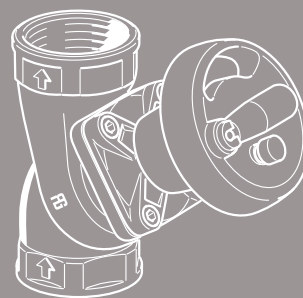
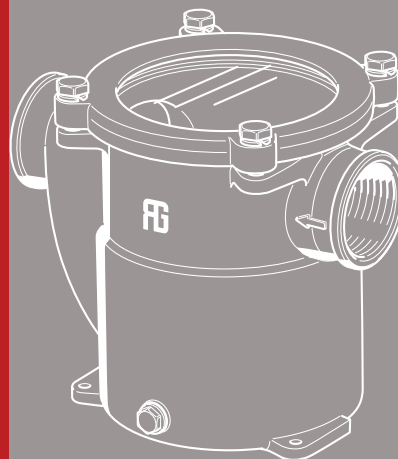


GUIDI SYSTEM

Guidi *System*



GUIDI SYSTEM

A KIT DESIGNED TO GRANT THE MAXIMUM SAFETY OF
THE HYDRAULIC SYSTEMS OF YOUR BOAT



Uses

Guidi System is the system developed to increase the performance of the water flow:

- **it reduces** pressure drops
- **it avoids** air bubbles and cavitation
- **it grants** an ideal and long-lasting working of the hydraulic systems on board.

Guidi System maintains its constant efficiency even if it is a *little dirty*. However, correct maintenance and periodic cleaning remains important.

Guidi System is therefore essential for the boat.

The kit consists of:

- water intake
- non-stick valve
- water strainer



Details of the kit

- **Water intake**

Water intake is the inlet of sea water inside the hull. It is important it lets in the correct amount of water with no drops or turbulence in the system.

Items [1112B](#), [1113B](#), [1260](#), [1261](#)

- **Non-stick valve**

Non-stick valve is connected to the water intake and allows opening and closing of the water flow through the water circuit. These models are not connected to a lever to move a ball: lever is often difficult (or uncomfortable) to operate and could crack. Non-stick valves instead have a screw, connected to a rotating head, moving open or close a soft and easy blocking element. Due to the use and difficult location of such systems, inside mechanism has a cover to protect from fouling.

Specifically, 2260 Alex model is a straight valve, full flow, with no pressure drops: this prevents from fouling forming or blocking. Thanks to small dimensions it can be installed in tight positions, very easy to operate and practical.

Items [2200](#), [2210](#), [2220](#), [2230](#), [2240](#), [2250](#), [2260 Alex](#)

- **Water strainer**

Strainer finally keeps inside dirt and sea water impurities, like algae or microorganisms. These models grant vacuum locking and some of them have top inspection, through a transparent polycarbonate lid: easy to quickly eye check the inside.

Items [1162](#), [1163](#), [1164](#), [1166](#), [1281](#), [1283](#)



More about it

- [Technical description of Water inlets and Scoops](#)
- [Technical description of Non-stick valve](#)
- [Technical description of Flanged non-stick valve](#)
- [Technical description of Full flow ball valve](#)
- [Technical description of Mediterraneo Strainer](#)

Characteristics and pluses of the system

Characteristics of different elements of the system are the following:

- all patented items, in different times, to prove our strong innovation
- all manufactured in bronze to prevent galvanic corrosion

Pluses of the Guidi System (water intake, non-stick valve and strainer, connected using bronze fittings elements) are several:

- functionality
- easy operation
- durability
- nice design
- reliability
- almost 100% recyclable



The longer life option - Durability & Recycling

New products development must consider a more accurate and sustainable analysis of their lifespan. Each product has got a very high durability with a quality and functioning warranty, by keeping its physical and mechanical material characteristics.

Ordinary maintenance while using these products is very low. Thanks to the easy way of taking components apart it will be possible to extend life of material beyond components working period. When product life gets to the end, through processes allowing to re-use of raw materials, each product is almost entirely recyclable.

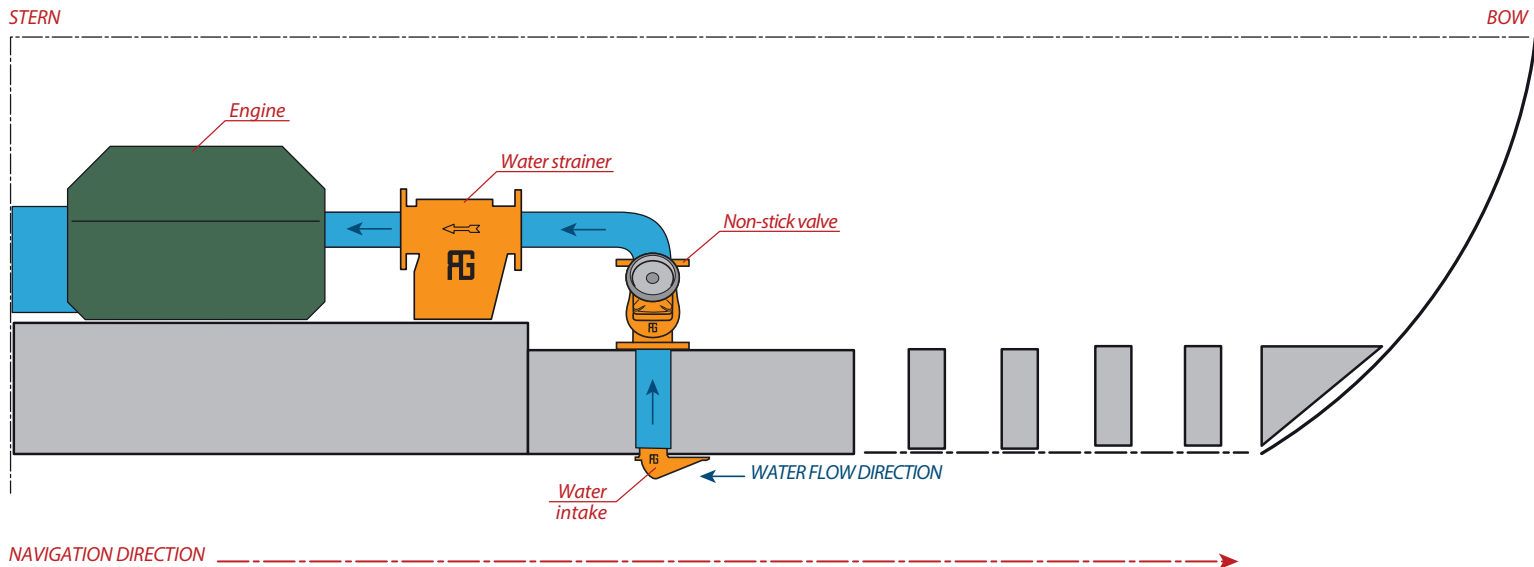


Installations

Indicative layouts for Guidi System installation:

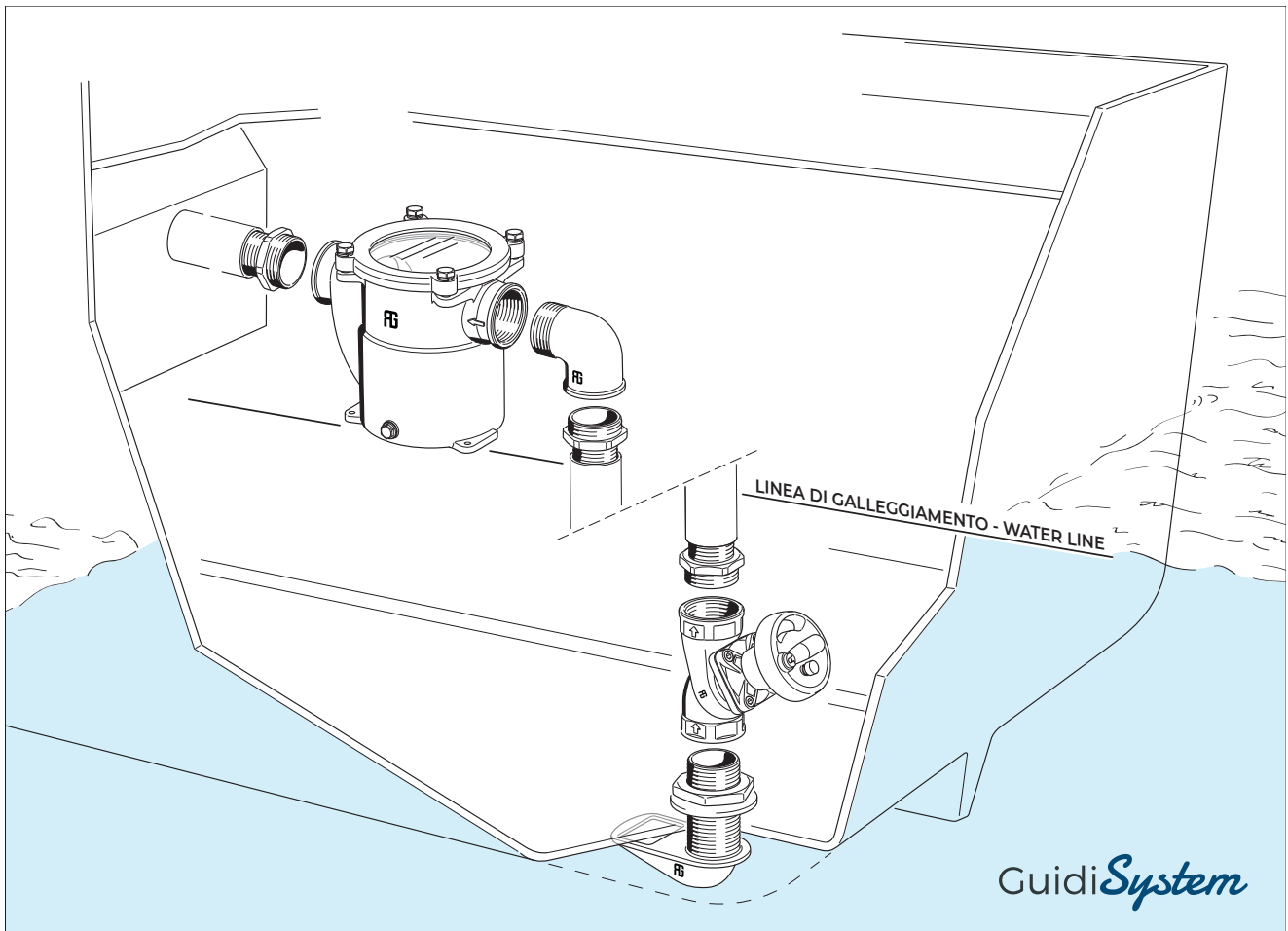
- Indicative general layout
- Guidi System layout with Non-stick valve 2210
- Guidi System layout with Non-stick valve 2260 Alex

GuidiSystem



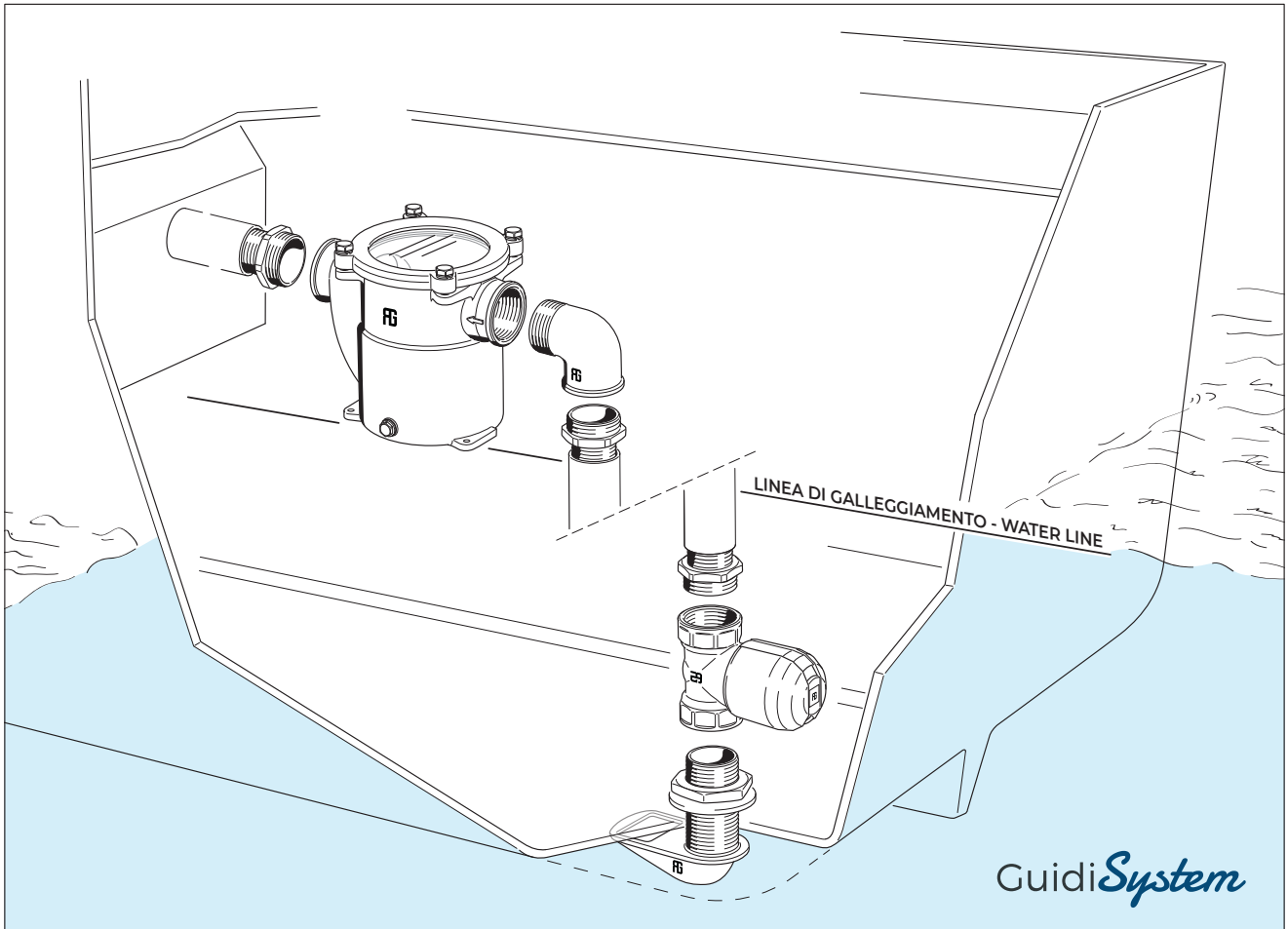
Indicative layout for Guidi System installation
(water intake, non-stick valve, strainer)



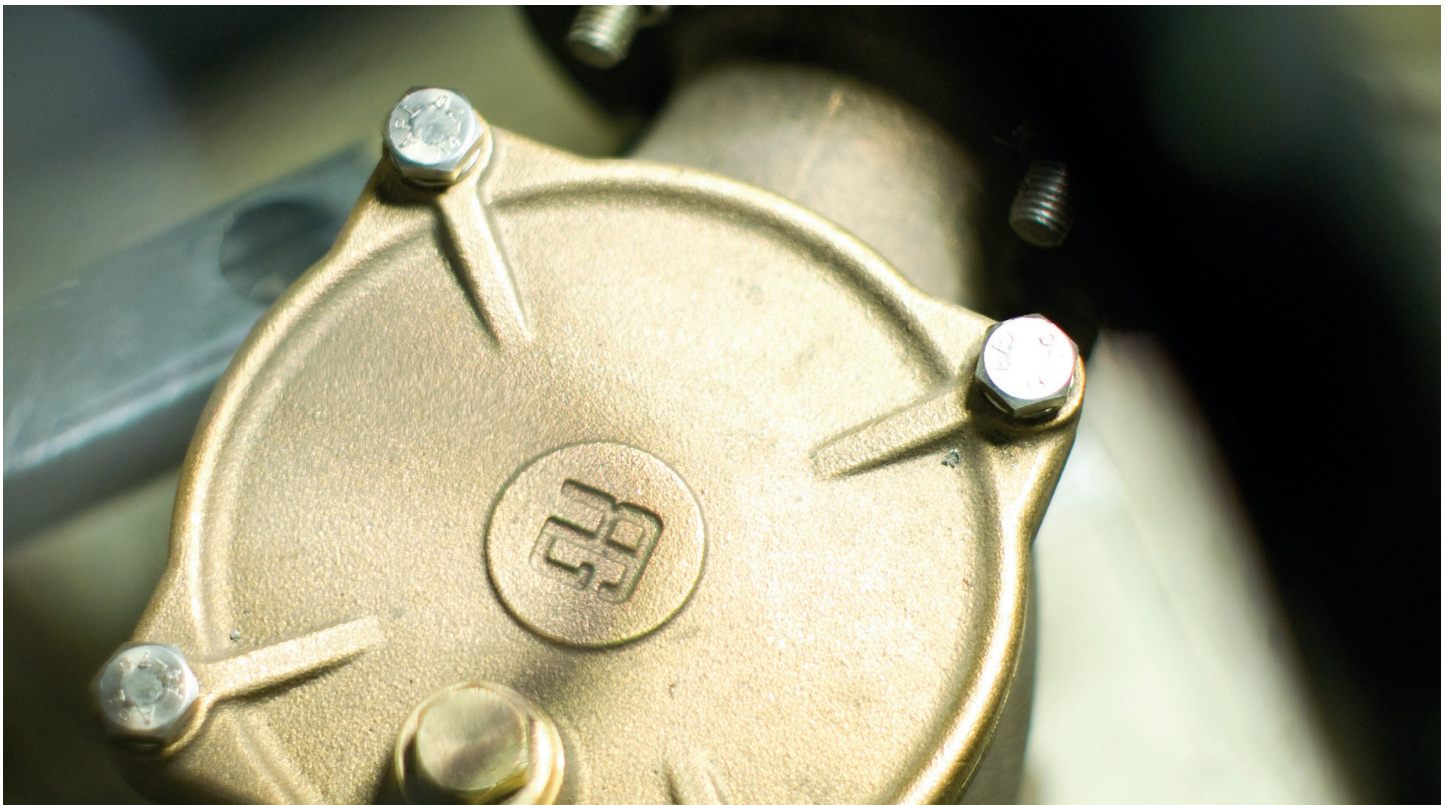


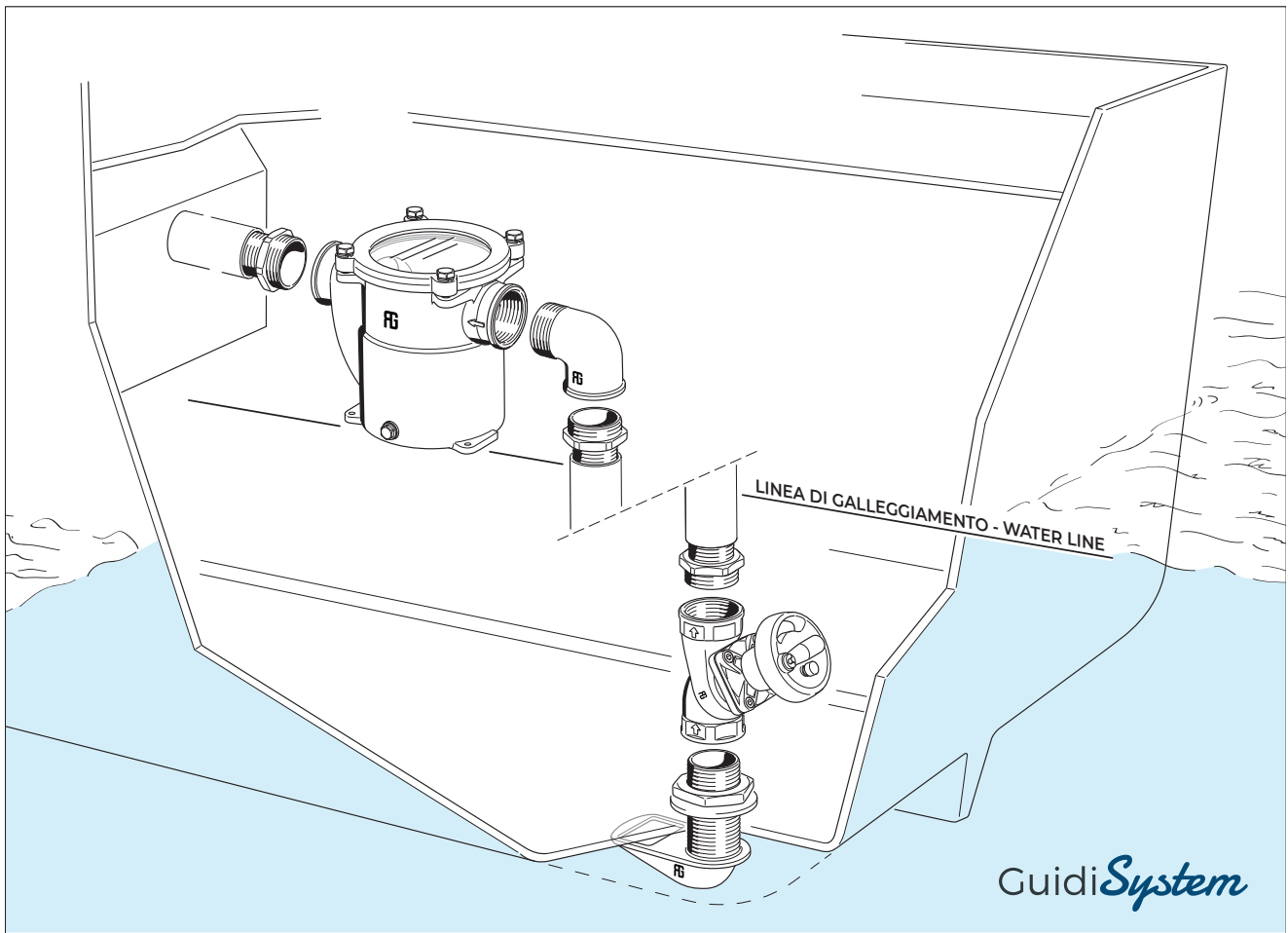
Guidi System layout with Mediterraneo strainer 1163 and Non-stick valve 2210





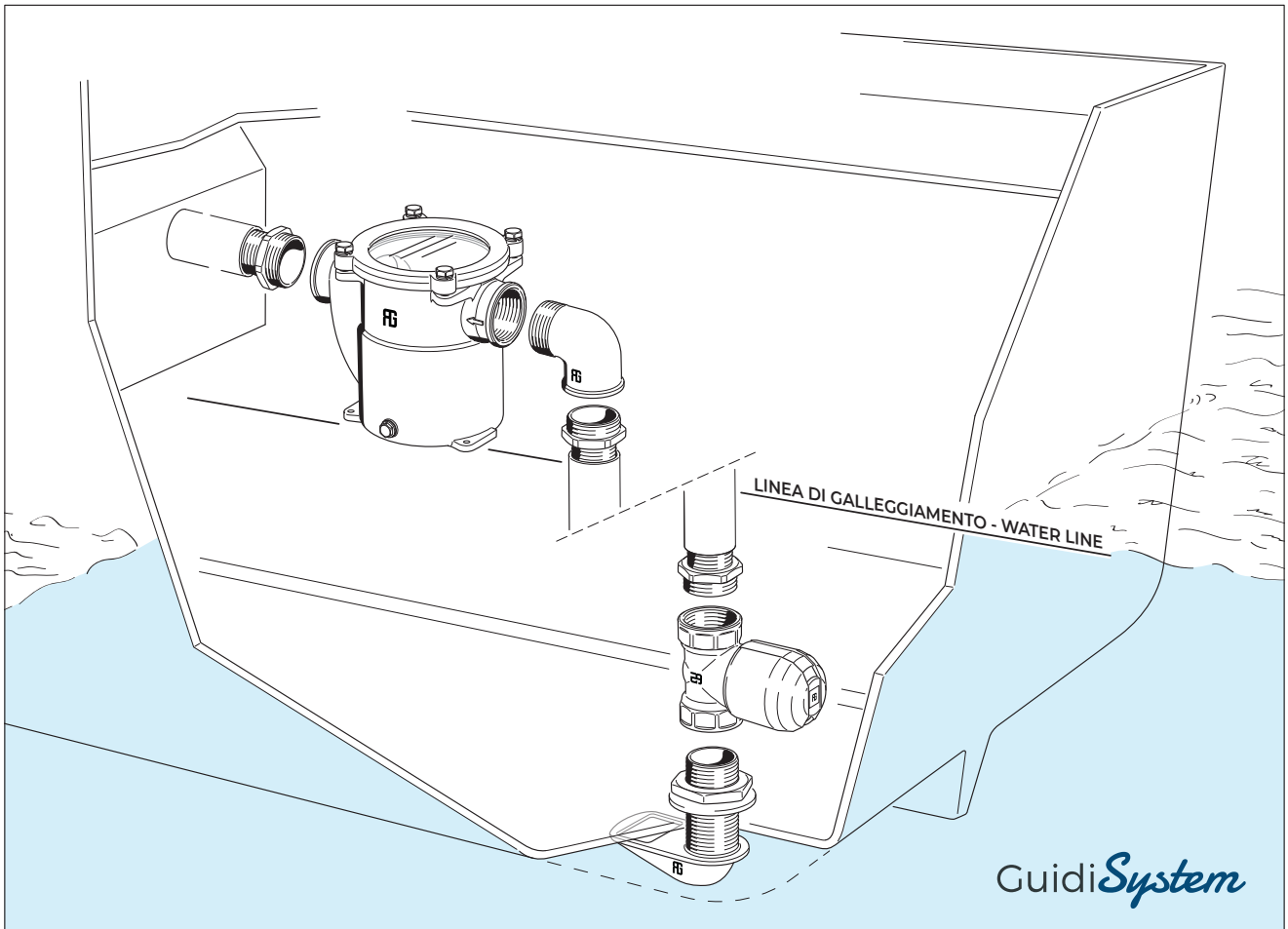
Guidi System layout with Mediterraneo strainer 1163 and Non-stick valve 2260 Alex





Guidi System layout with Ionio strainer 1164 and Non-stick valve 2210





Guidi System layout with Ionio strainer 1164 and Non-stick valve 2260 Alex



Something more to know about..

Water intake, non-stick valve and strainer are those hidden components meant **to keep in good shape your engine and not only**.

These control the water flow from the outside to the inside of the hull, where it is led through a circuit to cool down the engine. Water intakes and valves allow the right amount of water in to regulate engine temperature and then they let it out again through a different way.

Not only **cooling system** for the engine needs sea water, also **toilets** onboard need a constant water exchange to properly work, as well as **air conditioning** and **desalter**.

Once we got the importance of water systems onboard, it is good to know the possible critical situations in order to **prevent** them.

Salty sea water harms in time water intakes and valves with **corrosion**. This effect is even stronger in Mediterranean Sea due to the higher level of salt. Moreover, water can create **incrusting** by carrying inside dirt, algae, microorganisms, etc. reducing water flow capacity.

As we all know modern boats have more and more electronics on board: **electrical tension** from these can cause galvanic corrosion to metal components.

First instance help to boat owners comes from materials, even before than technology. In order to **avoid problems** on such critical items it is wise to choose always bronze components, an alloy with very low zinc (around 5%), metal subject to corrosion. **Bronze** is much more resistant to corrosion than brass, where zinc content is around 35%, so with faster aging of components.

Another good practice is to **operate valves pretty often**, to avoid their blocking. Not many boat owners do that, may be just because they forget. To avoid this issue **Guidi created non-stick valves**.

Also very important is to **regularly check anodes**: these **must worn off**, otherwise electrical tensions will sacrifice other components not supposed to, like a strainer basket for example.

Don't forget to share your ideas with us!

 Via delle Acacie, 2
28075 Grignasco (NO) - Italy

 +39 0163 418000

 info@guidisrl.com

 <https://www.guidisrl.it>

 [guidi_srl](https://www.instagram.com/guidi_srl)

 [@guidisince1968](https://www.facebook.com/guidisince1968)

 [Guidi srl - Marine Accessories](https://www.linkedin.com/company/guidi-srl)

 [guidisrl](https://www.pinterest.com/guidisrl)

