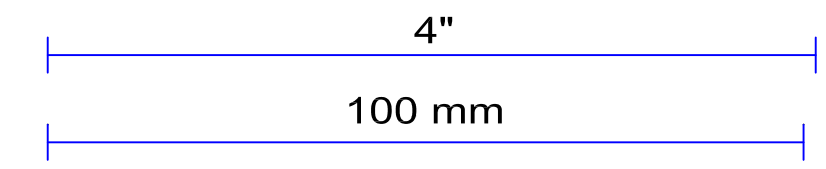
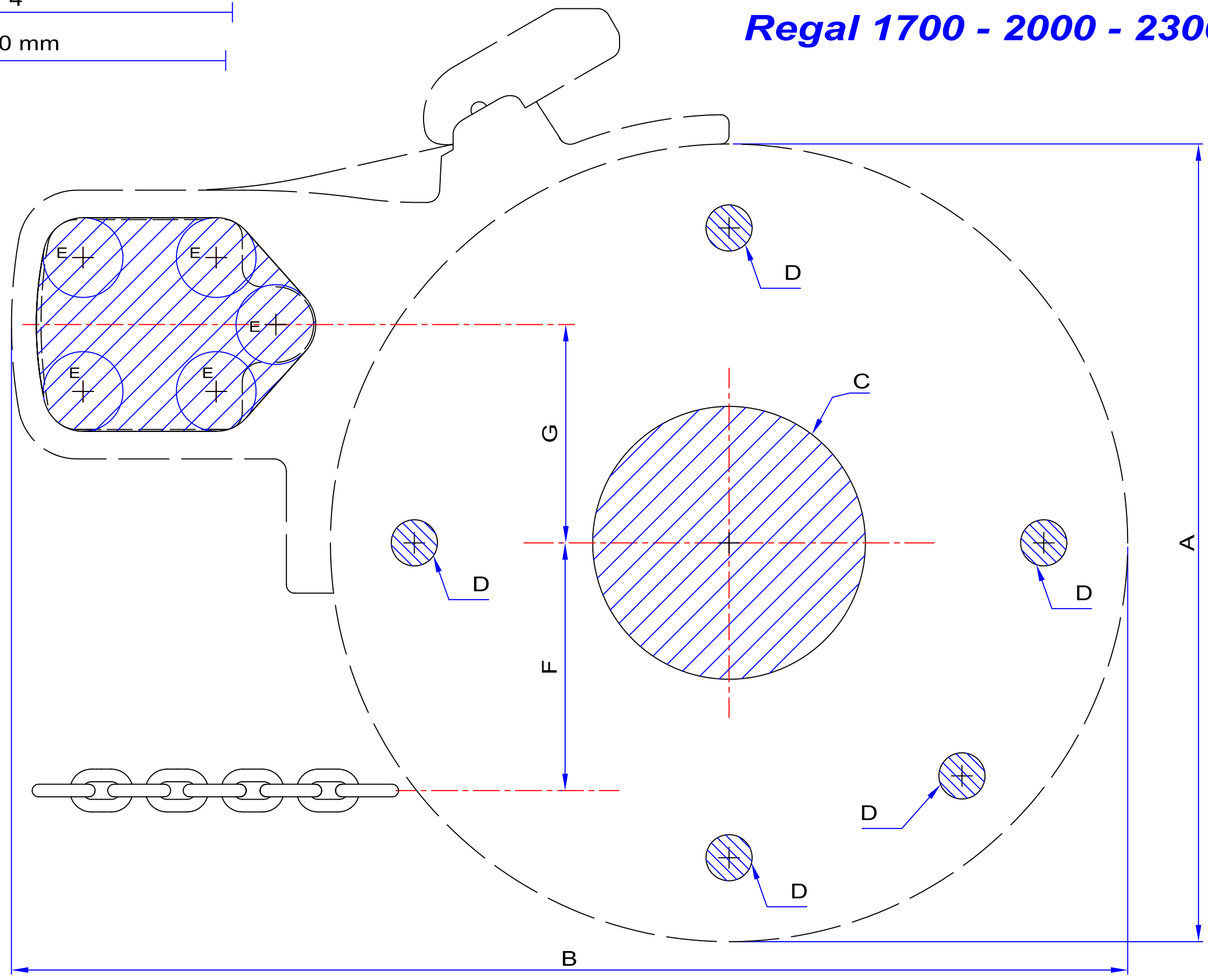


# Regal 1700 - 2000 - 2300 - 3000 X



PRUA  
BOW  
PROUE  
VORSCHIFF  
PROA



|      | A       | B        | C      | D     | E    | F       | G  |
|------|---------|----------|--------|-------|------|---------|----|
| mm   | 190     | 266      | Ø65    | Ø11   | Ø19  | 59      | 52 |
| inch | 7"31/64 | 10"15/32 | Ø2"1/2 | Ø7/16 | Ø3/4 | 2"21/64 | 2" |



|       |                       |      |    |               |            |   |   |
|-------|-----------------------|------|----|---------------|------------|---|---|
| Name  | DRILLING TEMPLATE     |      |    | Rev.          | 2          | 3 | 4 |
| Model | Regal 17/20/23/3000 X | Size | A3 | Scale         | 1:1        |   |   |
|       |                       |      |    | Drawing units |            |   |   |
|       |                       |      |    | File          |            |   |   |
|       |                       |      |    | Date          | 11/28/2006 |   |   |

This is an unpublished work the copyright in which rest in Quick s.r.l. All this document and its information is supplied without liability for error or party may be reproduced used or disclosed except as authorized by contract or permission.