

MODEL S-0A AIR HORN

THE KAHLENBERG S-0A MARINE AIR HORN IS IMO CERTIFIED FOR BOATS UP TO 65 FEET (20 METERS) IN LENGTH. AS WITH ALL KAHLENBERG AIR HORNS FOR PLEASURE CRAFT, THE S-0A HAS BEEN DEVELOPED TO MAXIMIZE AUDIBILITY, WITH A RICHNESS OF TONE BASED ON MUSICAL INSTRUMENT DESIGN. CONSTRUCTED ENTIRELY OF BRONZE AND BRASS IT IS BUILT FOR A LIFETIME OF SERVICE.



TECHNICAL DETAILS

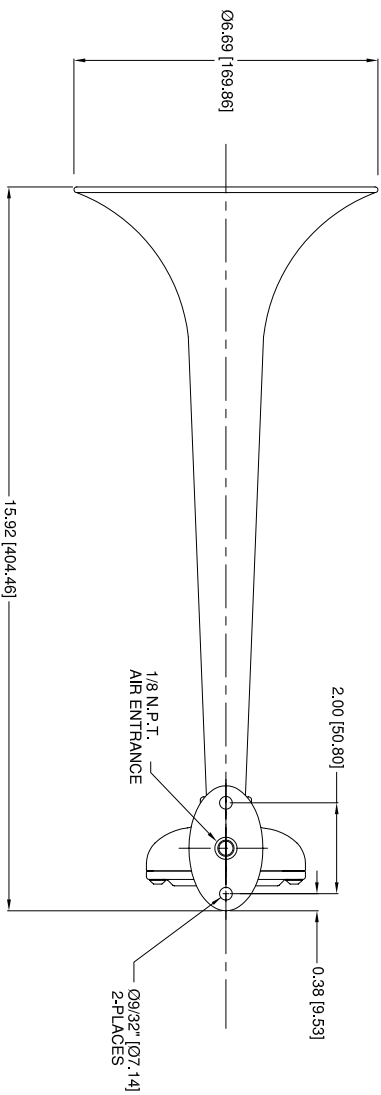
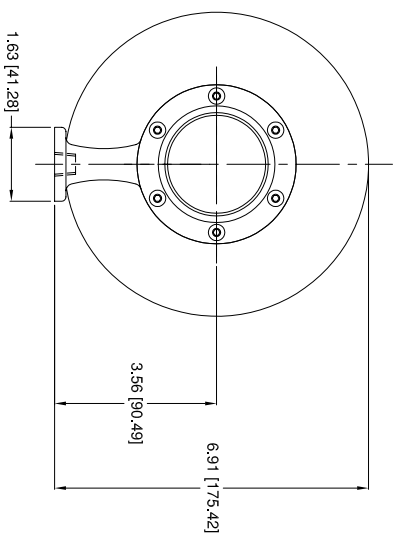
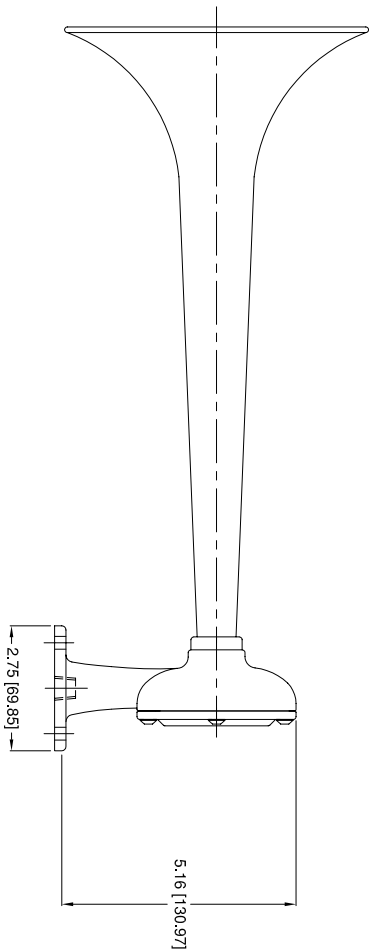
Frequency: 322 Hz
S.P.L. Output: 131 dB (A) @ 1 Meter
Air Consumption: 9 C.F.M., 4.2 l/s
Operating Pressure: 50 to 200 p.s.i. (3.5 to 14 bar)
Electric Power: 12 or 24 Volt D.C. (Compressor)
Material: Bronze and Cast Brass
Net Weight: 4.75 lbs., 2.15 kg
Finishes: Kahlenberg Chrome Plate, TGIC Sky White Powdercoat, Gold PVD, Black Chrome PVD
Certification: ABS, NMMA Certified A-23

FEATURES AND BENEFITS OF THE S-0A AIR HORN INCLUDE:

- ✦ Output exceeds other horns of similar size.
- ✦ Made entirely of brass with bronze diaphragm:
(Function of the horn guaranteed for as long as you own it.)
- ✦ Low air consumption:
Allows for use of a very small compressor/tank kit as compared to other air horns.
- ✦ Easy Installation: Compact Compressor Pump, Fittings, and tubing are easily installed when supplied, (see P449-17 and P449-18 Compressor Systems and V-69-K Valve Kit.)

KAHLENBERG INDUSTRIES, INC.
1700 12TH STREET, P.O. Box 358
TWO RIVERS, WI 54241 U.S.A.
WWW.KAHLENBERG.COM

REV.	BY	DATE	DESCRIPTION	APP'D.
A	ZJN	03/01/11	REVISED WITH UPDATED BODY/STAND & COVER	EMK



TECHNICAL DATA

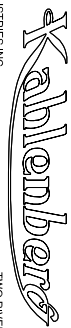
Frequency: 322 Hz
 Sound Pressure Level (dB(A) @ 1 meter): 131.0 dB
 Sound Pressure Level (1/3 octave at 1 meter): 122.9 dB
 Air Consumption: 9 C.F.M. @ 100 P.S.I.
 Air Pressure Req: 50 to 200 P.S.I.
 Electric Power: N/A
 Material: Spun Brass and Cast Bronze
 Net Weight: 4.75 Lbs.
 Shipping Weight: 9 Lbs.

CONFIDENTIAL

INFORMATION CONTAINED HEREIN IS CONFIDENTIAL, IT IS THE PROPERTY OF KAHLEMBERG INDUSTRIES INC. IT IS TO BE USED SOLELY FOR THE PURPOSE PROVIDED, AND IT IS NOT TO BE DISCLOSED TO OTHERS WITHOUT THE PRIOR WRITTEN CONSENT OF KAHLEMBERG INDUSTRIES INCORPORATED.

© CopyRight Kahleberg Ind. Inc. 2010

KAHLEMBERG INDUSTRIES INC. TWO RIVERS, WISCONSIN, 54241



**OUTLINE DIMENSIONS
S-0A AIRHORN**

DR.	DATE	CKD.	SCALE	DRWG. NO.	REV.
ZJN	06/12/03	EMK	N.T.S.	3-6236	A