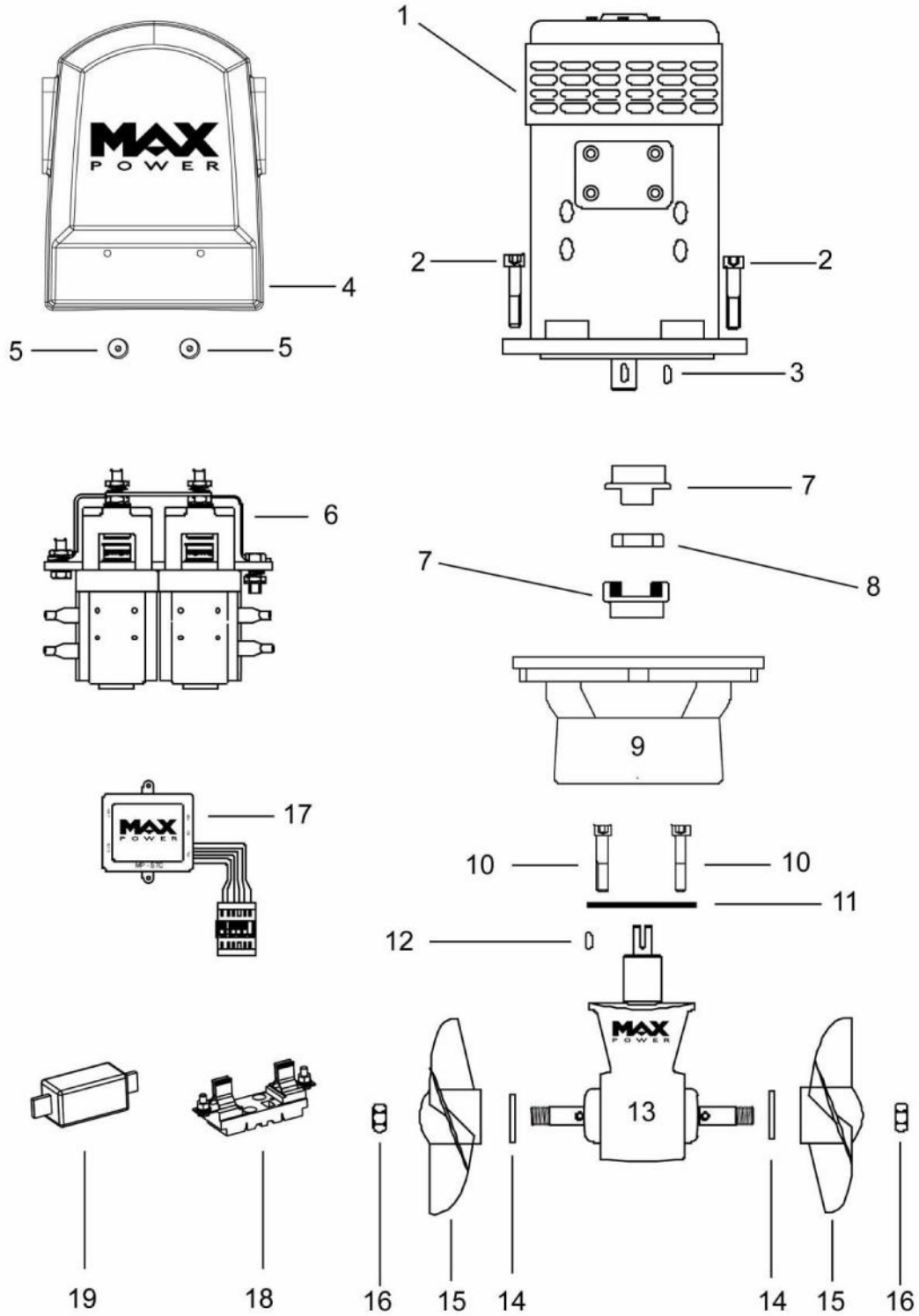


# Spare Parts

## CT165 / CT225 - Pièces Détachées



<b>N°</b>	<b>Description</b>	<b>Quantity</b>	<b>Old Code</b>	<b>New Code</b>
<b>1</b>	Electric Motor CT165	1	MP083015	312870
	Motor + Relay	1	MP118327	315346
	Motor Brushes	8	MPOP3556	312703
	Spring	8	MPOP3522	310385
<b>1</b>	Electric Motor CT225	1	MP113010	312860
	Motor + Relay	1	MP118325	315347
	Motor Brushes	8	MPOP3562	312706
	Spring	8	MPOP3520	634051
<b>2</b>	Screws	4	MPOP4070	630496
<b>3</b>	Pin	1	MP115010	630490
<b>4</b>	Cover	1	MP082021	313735
<b>5</b>	Plastic Nut M5	2	MPOP4024	312039
<b>6</b>	Relay Assembly 24V	1	MP118051	315331
	Relay 24V	1	MP203101/2	312922
<b>7</b>	Coupling aluminium	2	MP562000	630487
<b>8</b>	Coupling PG 56	1	MP561000	633743
<b>9</b>	Motor Support	1	MP118019	310368
<b>10</b>	Screws	2	MP115010	630490
<b>11</b>	Leg gasket	1	MPOP2061	310252
<b>12</b>	Pin	1	MPOP5135	312015
<b>13</b>	Composite leg CT165/225 (includes n° 10, 11, 14, 16)	1	MP118100	315321
<b>14</b>	Propeller Pin	2	MPOP5530	312059
<b>15</b>	Propeller Ø250	2	MPOP5400	35032
<b>16</b>	Inox Nut	2	MPOP5410	630491
<b>17</b>	Electronic Controller	1	MPOP5701	315308
<b>18</b>	Fuse holder T1	1	OPTI3119	35017
<b>19</b>	Fuse 250 A	1	OPTI3116	35027
-	Extraction handle for T1 & T2	1	OPTI3118	312882
-	Heat sensor	1	MPOP3723	311366

Last Update: July 2013 by Service Manager/Lalizas Group.  
Please refer to the new codes for your order.