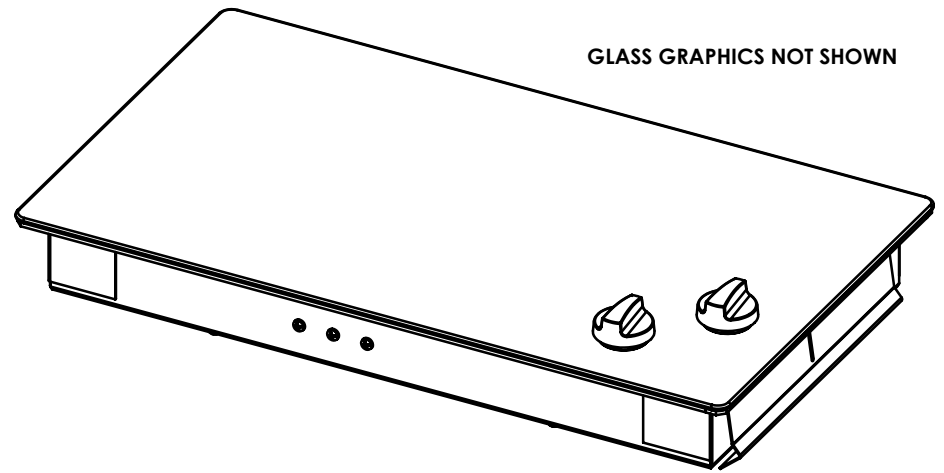
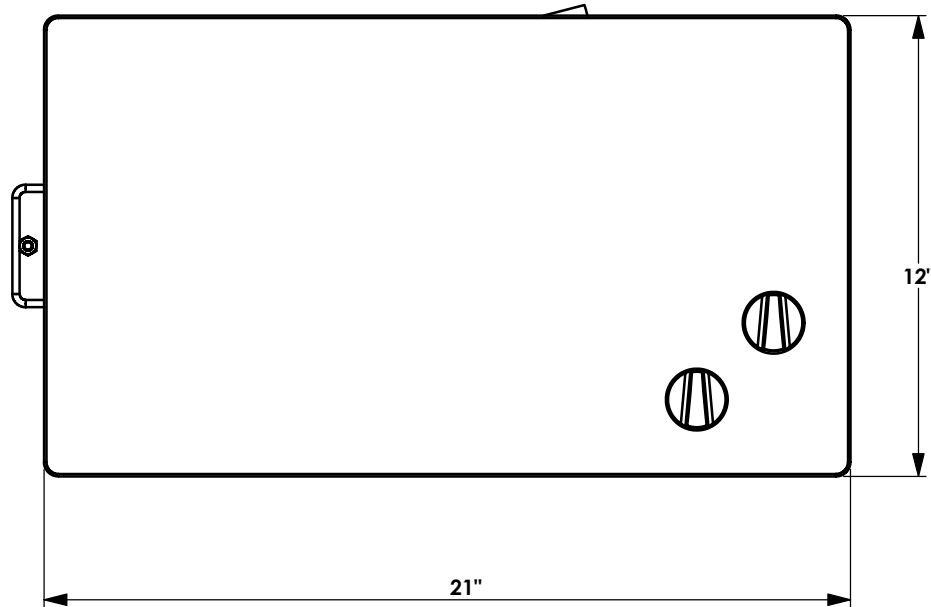


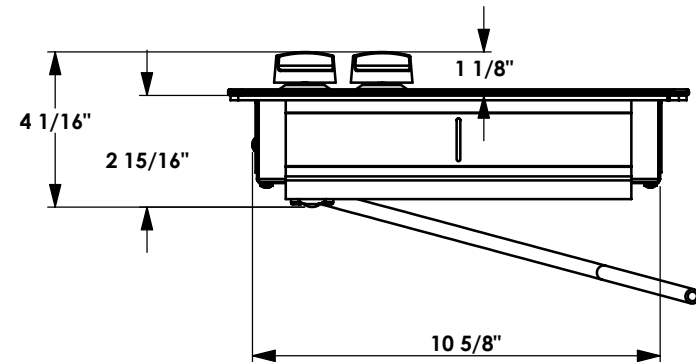
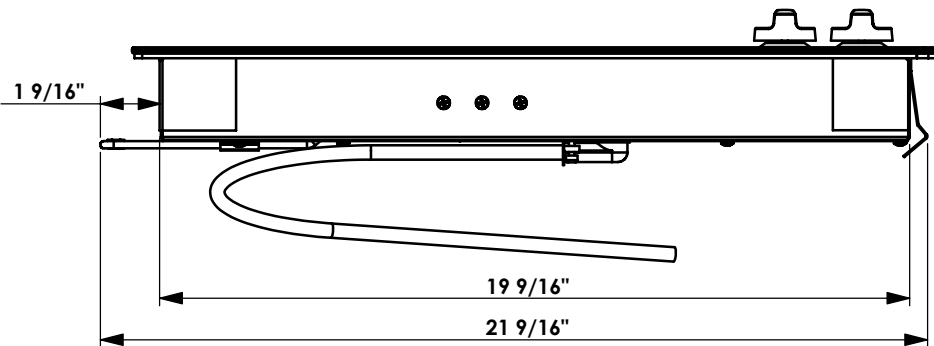
GLASS GRAPHICS NOT SHOWN



Model 75220 - 120Vac, 2400W, 20A

Model 75222 - 240Vac, 2400W, 10A

DIMS TO CLOSEST 1/16"



REV.	ECN.	DESCRIPTION	DATE	BY
1	-	*	*	*

PROPRIETARY AND CONFIDENTIAL
 THE INFORMATION CONTAINED IN THIS
 DRAWING IS THE SOLE PROPERTY OF
 FORCE 10 MARINE COMPANY. ANY
 REPRODUCTION IN PART OR AS A WHOLE
 WITHOUT THE WRITTEN PERMISSION OF
 FORCE 10 MARINE COMPANY IS
 PROHIBITED.

△ INDICATES A CRITICAL DIMENSION

TYPICAL BEND RADIUS = 0.040
 MATERIAL THICKNESS =
 OUTSIDE BEND DEDUCTION =

DIMENSIONS ARE IN INCHES
 TOLERANCES:
 FRACTIONAL ±1/16
 ANGULAR: MACH ±0.5 BEND ±0.5
 TWO PLACE DECIMAL ±0.050
 THREE PLACE DECIMAL ±0.005
 DO NOT SCALE DRAWING



COOKTOP-CERAN ELECTRIC 2S LAYOUT

DWG. NO.	-	REV.	1
MATL:	-	GA: #	SHEET 1 OF 1

- NOTES:
1. REMOVE ALL BURRS
 2. BREAK SHARP EDGES 0.005 - 0.015
 3. UNLESS OTHERWISE SPECIFIED, MACHINED CORNERS TO HAVE 0.005 - 0.015 FILLET RADII