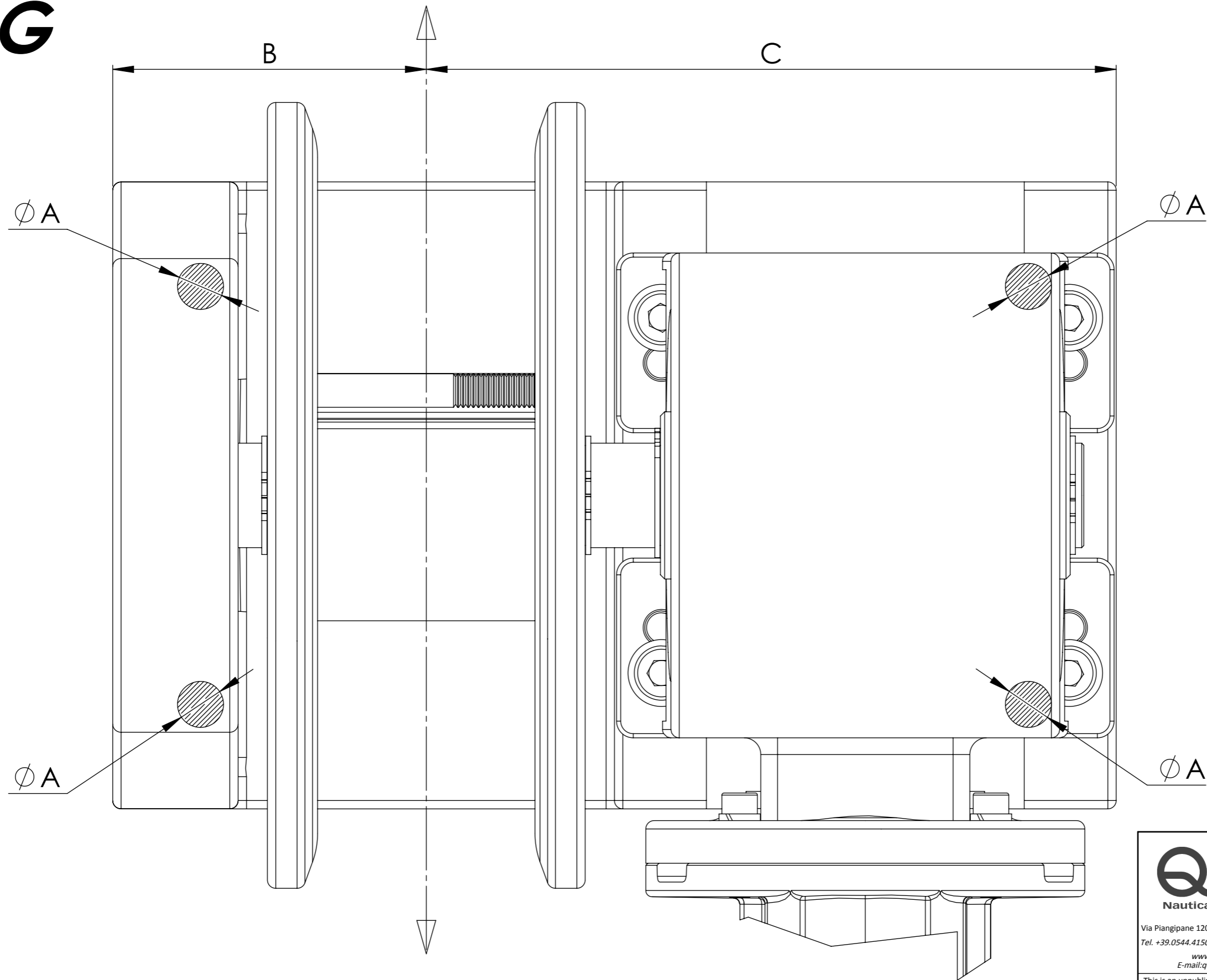



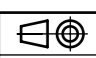
THG



	mm	inch
A	11	$\varnothing 7/16$
B	75	2" 15/16
C	165	6" 1/2



Via Piagipane 120/A - 48124 Piagipane (Ra)
Tel. +39.0544.415061 - Fax +39.0544.415047
www.quickitaly.com
E-mail: quick@quickitaly.com

Descrizione / Description DRILLING TEMPLATE		
Formato / Size A3		Data / Date 05/03/2014
Scala / Scale 1:1	U.M. / M.U. mm	Foglio N° 1:1
Disegnato da / Drawn by		
Approvato da / Checked by		

This is an unpublished work the copyright in which rest in Quick S.r.l. All this document and its information is supplied without liability for error or party may be reproduced used or disclosed except as authorized by contract or permission.

Evitare di rilevare le quote dal disegno / avoid obtaining measures from the drawing

