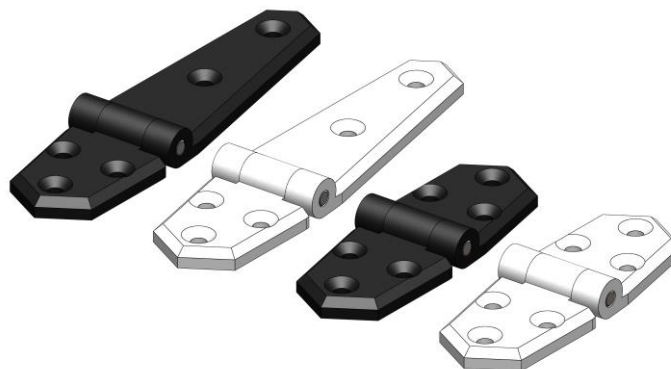


## MARINE HINGE

Designed and made in New Zealand, TruDesign Marine Hinges are an excellent choice for the fixing of hatches, doors and locker covers in the marine environment.



Tru-Design Hinges are moulded from a glass reinforced nylon composite. High strength, high-modulus glass fibres impregnated into the nylon provides dramatic strength, stiffness, toughness, and dimensional stability. A stainless-steel pin links the two hinges.

### MODELS

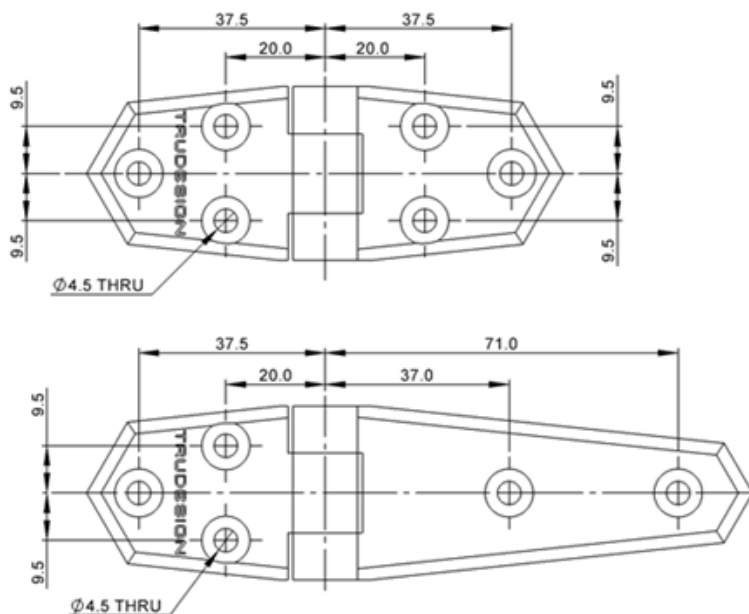
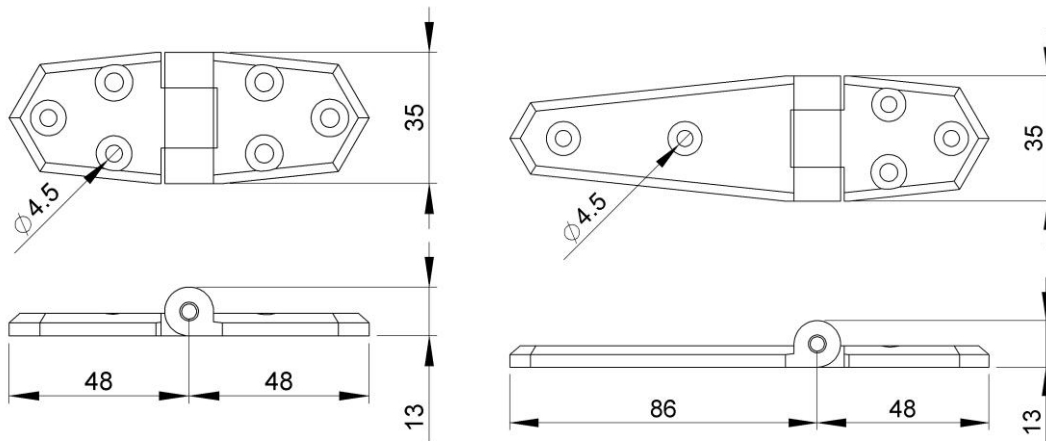
Part #	Description
90380	Hinge Short Pair White
90378	Hinge Long Pair White
90379	Hinge Short Pair Black
90377	Hinge Long Pair Black

### KEY FEATURES

Feature	Benefit
Manufactured from a glass reinforced nylon composite	High strength and light weight.
Compatible with all hull types	Can be used on aluminum, steel, wood or GRP hulls.
Immune to corrosion and electrolysis	Maintains Strength. Will not discolour with green film as similar bronze fittings do.
Chemical resistant	Impervious to diesel, petrol, and antifouling paints.
UV resistant	Will not break down with ultraviolet light or discolour.

## DIMENSIONS - All dimensions in mm.

All dimensions nominal.



The information contained in this information sheet is for general information purposes only. The information is provided by TruDesign™ and while we endeavour to keep the information up to date and correct, we make no representations or warranties of any kind, express or implied, about the completeness, accuracy, reliability, suitability or availability. Any reliance you place on such information is therefore strictly at your own risk.