

T-Piece Connector / Universal Manifold

The TRUDESIGN® T-Piece functions not only as a T-Piece but also as an expandable manifold. Featuring two 1½" BSP female threads and one 1½" BSP male thread allowing the T- Piece to be "daisy chained."

The flexibility of the TRUDESIGN® T-Piece Connector allows:

- Connection of multiple drains to one Ball Valve or Skin Fitting (Thru-Hull) outlet.
- Mixed sizes of hose tail (hose barb) fittings to suit ¾", 1", 1¼" & 1½" I.D hose
- A range of angled hose tail (hose barb) fittings giving directions of straight, 90°, & 120°
- Direct connection to a 1½" Ball Valve or 1½" (above waterline) Skin Fitting
- Connection to plumbing pipework or a secondary Ball Valve with use of the Threaded Connector

Part Numbers & Weight:

Model / Size	Weight	Part Number	Part Number PKG
T-Piece Connector 1½" BSP M-F-F	105 grams / 3.7 oz	90893	90894



Key Features:

Feature:	
User selectable hose tails	Varying sizes of hose (from ¾" to 1½") can connect to one T-Piece
Expandable	Create multi-port manifolds easily by joining two or more T-Pieces
Manufactured from a composite UV stabilized, glass-reinforced Nylon 6	High strength, tough and light weight. Can be used in direct sunlight.
Immune to corrosion and electrolysis	Long- life with no concerns over decreased performance due to corrosion
Chemical resistant	Unaffected by diesel, petrol and chemicals
BSPP (Parallel) threads	Universal compatibility to TRUDESIGN® Ball Valves, threaded fittings, and other marine components. Allows 0 - 360° orientations with mating parts.
Large operating temperature range	Suitable for all marine environments, from -40°C to +110°C



T Piece Manifold compatible fittings

- Mixed sizes of hose tail fittings can be connected to suit ¾", 1", 1¼" & 1½" I.D hose
- A range of angled hose tail fittings are available giving directions of straight, 90°, & 120°
- Can be "Daisy Chained" creating an economic manifold.



Compatible Tail Part Numbers

Model / Size	Part Number
T-Piece Connector 1½" BSP M-F-F	90894
Aquavalve Tail 38mm (1½") 1½" BSP Black	90545
Aquavalve Tail 32mm (1¼") 1½" BSP Black	90544
Aquavalve Tail 25mm (1") 1½" BSP Black	90543
Aquavalve Tail 19mm (¾") 1½" BSP Black	90542
Aquavalve 90° 38mm (1½") 1½" BSP Black	90293
Aquavalve 90° 25mm (1") 1½" BSP Black	90466
Aquavalve 120° 38mm (1½") 1½" BSP Black	90297
Aquavalve 120° 25mm (1") 1½" BSP Black	90465
Tail 38mm (1½") 1½" BSP Long Thread	90561
Tail 32mm (1¼") 1½" BSP Long Thread	90563
Tail 38mm (1½") 1½" BSP Long Thread 90°	90569
Tail 38mm (1½") 1½" BSP Long Thread 120°	90573
Tail 38mm (1½") 1½" BSP Female 90° Bend	90635
Plug 1½" BSP Black	90919



Tread Sealing

When considering thread sealing it is important to note.

- We recommend adhesive sealants, as this prevents any movement and provides good sealing characteristics.
- If there is a perceived need to take the fitting apart in the future, you can use thread tapes, pipe sealing chords or a “lesser strength” adhesive sealant such as 3M 4200.

When tightening a threaded fitting it is important to note

- When adhesive type thread sealant is used, fittings need only be “finger tight” as the sealant will provide full waterproofness once cured. This allows orientation (for instance a 90° tail) anywhere across a full 360° - which can help the routing and positioning of hoses.
- Do not over tighten the fitting – maximum 7 ft/lb.

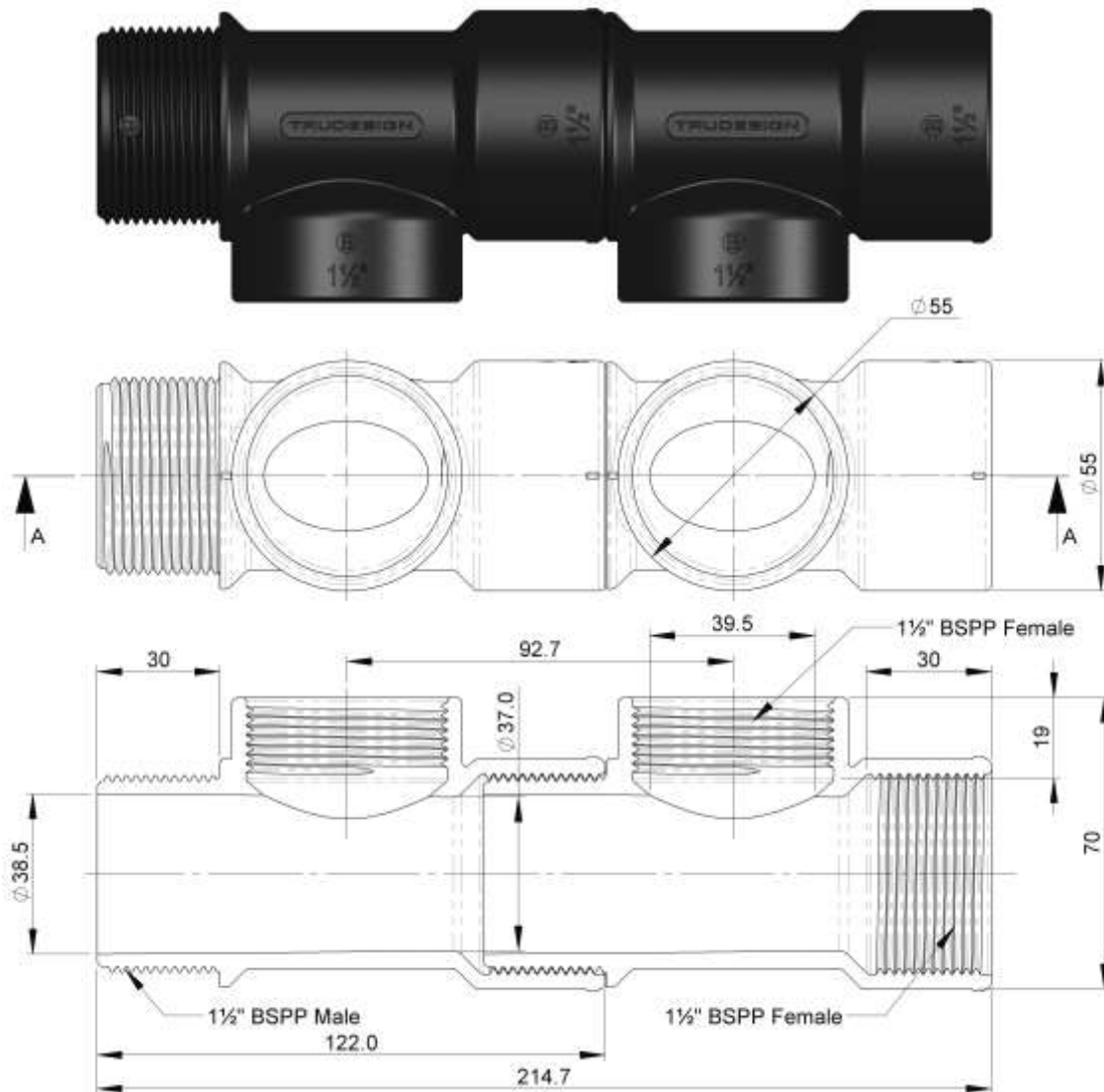
Connecting Two or More T Pieces together



Align the two location notches. There is no need to tighten fully. When adhesive type thread sealant is used, fittings need only be “finger tight” as the sealant will provide full waterproofness and structure once cured. This allows the two fittings to align.

Dimensions:

Dimensions are in millimetres
All dimensions nominal



The information contained in this information sheet is for general information purposes only. The information is provided by TruDesign and while we endeavor to keep the information up to date and correct, we make no representations or warranties of any kind, express or implied, about the completeness, accuracy, reliability, suitability or availability. Any reliance you place on such information is therefore strictly at your own risk.