



Hella marine



Underwater Lighting Brilliance

APELO

APELO

Underwater Lighting Brilliance



SPECTACULAR COLOR ILLUMINATING YOUR LIFESTYLE

As the sun sets, Apelo Underwater Lights come alive. Rich vibrant color emblazes your transom, setting the scene for the night ahead. Whether entertaining, or attracting the next trophy catch, Apelo has it all.

Choose either vibrant blue or intense white transom lighting, or take control and set the stage with stunning full spectrum RGB color at your fingertips.

Distinctive glowing signatures of Apelo A2's innovative Edge Light elegantly illuminates the border of the lamp front. The Edge Light functions in or out of the water and highlights the stern of the boat even when it's on the trailer.

Apelo Underwater Lights are made in New Zealand and backed by Hella marine's industry leading 5 year warranty.



- FIBERGLASS
 - TIMBER
 - STEEL
 - COMPOSITE
 - ALUMINUM
- 
- SUITABILITY

Apelo A1 Polymer - 1800 Lumen

Enhance your marine entertainment lighting with the most powerful light in its class, the Apelo A1. Delivering vibrant blue or intense white, or full spectrum RGB* color experiences, the A1 uses intelligent optical design to get impressive illumination levels that outshines the competition.

The A1 RGB* light gives you complete control to choose any color you wish, with Apelo's optical intelligence creating an even distribution of color across the transom.

A completely sealed, corrosion resistant, thermal polymer housing ensures ongoing protection against the harshest environments. The A1 is suitable for mounting to any hull material. All Apelo models are equipped with an advanced thermal management system to allow operation in or out of the water.

Made in New Zealand and backed by Hella marine's 5 year warranty, Apelo Underwater Lights are built to last.



Part Number	Description
2LT 016 145-011	A1 Blue / White - White Lens
2LT 016 145-001	A1 Blue / White - Charcoal Lens
2LT 016 146-011	A1 RGB - White Lens
2LT 016 146-001	A1 RGB - Charcoal Lens

OPTICAL INTELLIGENCE



Apelo's precision optical distribution system projects light with a wide 90° horizontal spread, while its shallow 24° vertical beam height means the light is able to spread further through the water.


Optical Intelligence is integrated into all Apelo models.

Vibrant blue or intense white




Corrosion resistant polymer

UV resistant




White / Charcoal lens options

1800 lumen



Choose any RGB* color

Impact resistant Grilamid® lens



Completely sealed

*Connect Apelo RGB lights to an RGB lighting controller for unlimited color selection (Not supplied).



ALUMINUM
SUITABILITY

Apelo A2 Aluminum - 3000 Lumen

Boasting an incredibly bright 3000 lumen light output, the Apelo A2 offers not only more light, but more features. The stylish Edge Light illuminates your transom with distinctive glowing signatures bordering the lamp front. Apelo A2 is available in either a vibrant blue or intense white combination, or full spectrum RGB*.

The added 'Fish mode' strobe function on the A2 Blue / White version turns your lighting display up to the next level. Each color offers a strobe mode in sequence, simply by toggling power to the lamp. The strobe mode is a sure fire way to attract attention, including from your next big catch.

Apelo A2's corrosion resistant, hard anodized, aluminum housing ensures even greater ongoing protection against the harshest environments. All Apelo Underwater Lights are completely sealed for total peace of mind. The A2's aluminum housing is tailored specifically for aluminum hulls which are not permanently submerged.

Made in New Zealand and backed by Hella marine's 5 year warranty, Apelo Underwater Lights are built to last.



Part Number	Description
2LT 016 147-001	A2 Blue / White - Charcoal Lens
2LT 016 148-001	A2 RGB - Charcoal Lens

EDGE LIGHT TECHNOLOGY

Apelo's distinctive Edge Light signatures illuminate your vessel's transom while launching or returning to the boat ramp, in or out of water.

Edge Light is standard on all Apelo A2 and A3 models.



Vibrant blue or intense white UV resistant



Corrosion resistant aluminum Edge Light


Completely sealed Impact resistant Grilamid® lens



Choose any RGB* color 3000 lumen

*Connect Apelo RGB lights to an RGB lighting controller for unlimited color selection (Not supplied).



- FIBERGLASS
 - TIMBER
 - STEEL
 - COMPOSITE
- 
- SUITABILITY

Apelo A2 Bronze - 3000 Lumen

The A2 Bronze stands out with its corrosion resistance properties, in addition to the Apelo A2 features of vibrant blue or intense white, or full spectrum RGB* color experiences, signature Edge Light, and strobe function. A marine grade bronze housing delivers the ultimate in protection from harsh conditions, while offering superior durability and thermal management properties.

All the features and power of the A2 model in a no-compromise package makes this the preferred choice for permanent submersion. Suitable for fiberglass, timber, steel, and composite hulls (not aluminum).

Made in New Zealand and backed by Hella marine's 5 year warranty, Apelo Underwater Lights are built to last.

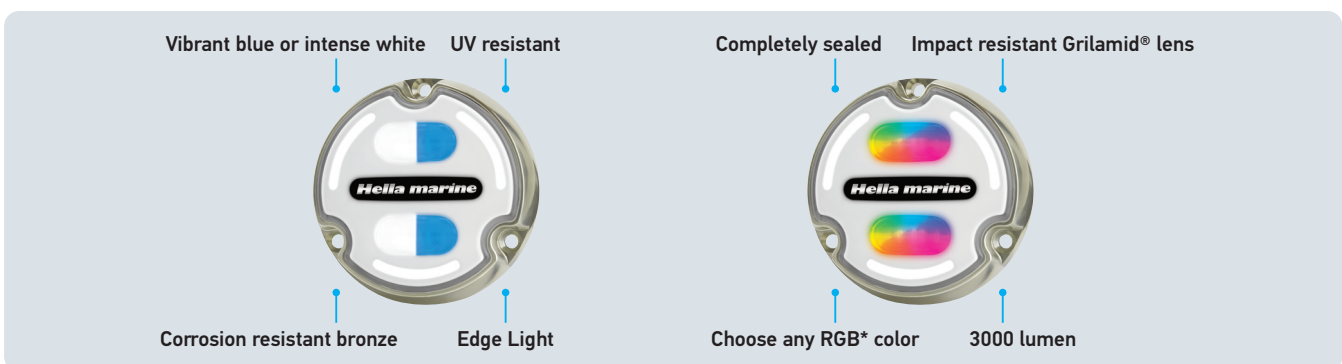


Part Number	Description
2LT 016 147-101	A2 Blue / White - White Lens
2LT 016 148-101	A2 RGB - White Lens

SUPERIOR CORROSION RESISTANCE

For the ultimate in corrosion resistance and durability, a marine grade bronze housing is the best choice for permanently submerged vessels.

Bronze housings are available on Apelo A2 models, and standard on A3 models.





Apelo A3 Bronze - 6000 Lumen

The ultimate in the Apelo Underwater Light range is the A3 Bronze. Supercharged with 6000 lumen light output, and a larger overall size than the Apelo A2 Bronze.

The A3 model has an improved formula with double the light output, maximizing the vibrant blue or intense white, or full spectrum RGBW* color. The blue or white model retains the strobe functionality, the RGBW version includes dedicated white light emitting LEDs, adding brighter and more intense white light to your RGB underwater lighting. Both versions sport the Edge Lighting Apelo is known for.

Intelligent optics spread light across the water without losing light to the depths, projecting wide across the transom. With the addition of Nickel-silver to the extremely corrosion resistant housing, the Apelo A3 is perfect for permanently submerged installations on larger boats and ships. Suitable for fiberglass, timber, steel, and composite hulls. Only mount on aluminum hulled vessels with a suitable isolation spacer.

Made in New Zealand and backed by Hella marine's 5 year warranty, Apelo Underwater Lights are built to last.



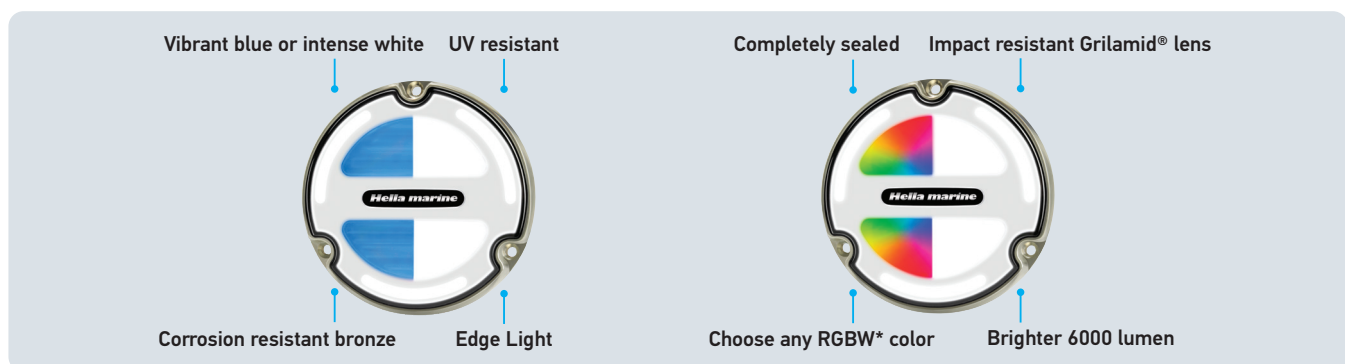
Part Number	Description
2LT 016 830-001	A3 Blue / White - White Lens
2LT 016 831-001	A3 RGBW - White Lens

THERMAL MANAGEMENT SYSTEM

All Apelo models are equipped with an advanced thermal management system to allow operation in or out of the water.



Thermal Management is integrated into all Apelo models.



*Connect Apelo RGBW lights to an RGBW lighting controller for unlimited color selection (Not supplied).

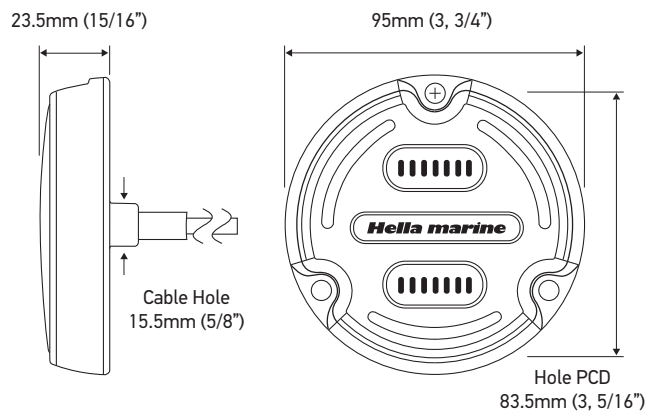
Apelo Product Specifications



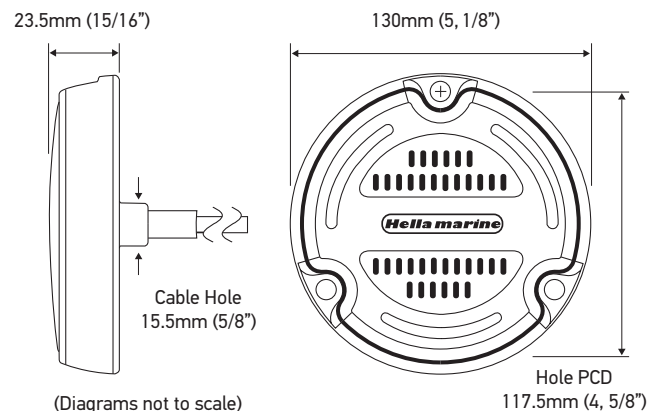
Model	Apelo A1 Polymer	Apelo A2 Aluminum	Apelo A2 Bronze	Apelo A3 Bronze
Blue / White - White Lens	2LT 016 145-011	NA	2LT 016 147-101	2LT 016 830-001
Blue / White - Charcoal Lens	2LT 016 145-001	2LT 016 147-001	NA	NA
RGB - White Lens	2LT 016 146-011	NA	2LT 016 148-101	2LT 016 831-001 (A3 models are RGBW)*
RGB - Charcoal Lens	2LT 016 146-001	2LT 016 148-001	NA	NA
Mounting	Transom / Surface	Transom / Surface	Transom / Surface	Transom / Surface
Voltage	Multivolt™ 12 / 24V DC Nominal	Multivolt™ 12 / 24V DC Nominal	Multivolt™ 12 / 24V DC Nominal	Multivolt™ 12 / 24V DC Nominal
Power Consumption† Blue / White RGB / RGBW* Edge Light	20W / 1.7A @ 12V, 0.9A @ 24V 15W / 1.25A @ 12V, 0.7A @ 24V NA	30W / 2.5A @ 12V, 1.3A @ 24V 30W / 2.5A @ 12V, 1.3A @ 24V <2W / <0.2A@12V, <0.1A @ 24V	30W / 2.5A @ 12V, 1.3A @ 24V 30W / 2.5A @ 12V, 1.3A @ 24V <2W / <0.2A@12V, <0.1A @ 24V	70W / 5.9A @ 12V, 2.9A @ 24V 70W / 5.9A @ 12V, 2.9A @ 24V <5W / 0.37A @ 12V, 0.2A @ 24V
Lumen Light Output	1800 lumen (White)	3000 lumen (White)	3000 lumen (White)	6000 lumen (White)
Color Temperature	5000K (White)	5000K (White)	5000K (White)	5000K (White)
Beam Angle	90° x 24°	90° x 24°	90° x 24°	90° x 24°
Protection	Spike protected to +500 volts, Reverse polarity protected to -700 volts. IP68 / IP69: Suitable for submersion in operation and high pressure water jet cleaning High temperature thermal cutout for out of water			
Cable Length	2.5m / 8.2ft, tinned marine cable			
Lens Material	Grilamid® (Premium grade, UV stable, impact resistant Nylon)			
Base Material	Corrosion proof advanced thermal polymer	Hard anodized aluminum	Marine grade bronze	Marine grade bronze
Compliance	CE, UKCA EN55015 / CISPR 15, IEC60533, IEC61547, ICES-5			

*Connect Apelo RGB/W lights to an RGB/W lighting controller for unlimited color selection (Not supplied). † Allow up to 200% of power consumption to account for momentary peak.

A1 / A2 Dimensions



A3 Dimensions





Hella marine

Underwater Lighting Brilliance



APELO



Authorized European Distributors

Austria

Ascherl Botzubehör
Hard (Bregenz)
Tel: +43 557489900-0
office@ascherl.at
www.Ascherl.at

Croatia

M.A.G.-D.D d.o.o.
Šibenik
Tel: +385 22 337-177
info@magdd.hr
www.magdd.hr

Denmark

Hella A/S
Aabenraa
Tel: +45 73 30 36 11
michael.simonsen@hella.dk
www.hellamarine.com

England

ASAP Supplies
Beccles, Suffolk
Tel: +44 (0) 1502 716993
sales@asap-supplies.com
www.asap-supplies.com

Furneaux Riddall
Portsmouth
Tel: +44 23 9266 8621
sales@furneauxriddall.com
www.furneauxriddall.com

Western Electrical
Plymouth
Tel: +44 (0)1752 484290
sales@eel.co.uk
www.westernmarinesales.co.uk

Estonia

KGK Knutsson AS
Tallinn
Tel: +372 6519300
kgk@kgk.ee

France

Hella France
Le Blanc Mesnil
Tel: +33 1 49 39 59 59
Fax: +33 1 49 39 59 06
hellamarine.france@hella.com
www.hellamarine.com

VDM Reya
La Garde
Tel: +33 (0)7 63 95 73 35
Fax: +33 (0)4 94 08 77 79
b.massard@vdm-reya.com
www.vdm-reya.com

Finland

OY Maritim AB
Helsinki
Tel: +358-207-652705
Fax: +358-207 652 945
info@maritimshops.fi
www.Maritim.Fi

Germany

Hella GmbH & Co. KG
Lippstadt
Tel: +49 2941-386644
rita.mueller@hella.com
www.hellamarine.com

Bukh Bremen

Bremen
Tel: +49(0)421-53507-0
info@bukh-bremen.de
www.bukh-bremen.de

Robert Lindemann KG
Wendenstraße 455
D-20537 Hamburg
Telefon: 040 - 21 11 97 - 0
Telefax: 040 - 21 11 97 - 30
Email: info@lindemann-kg.de

Greece

D. Koronakis S.A.
18545 Piraeus
Tel: +30 (0)210 4060600
marine@koronakis.gr
www.koronakis.gr

Nautilus Yacht Equipment S.A.
55132 Thessalokini
Tel: +30 (0)210 9855300
info@nautilus.gr
www.nautilus.gr

Italy

Forniture Nautiche Italiane
Cecina
Tel: +39 0586 662424
info@fni.it
www.fni.it

Latvia

KGK Knutsson SIA
Mārupe
Tel: +371 26 499 811
kgk@kgk.lv
www.kgk.lv

Netherlands

HELLA Marine Europe
3439 NC Nieuwegein
M: +31 (0)6-51336164
rene.van.miltenburg@hella.com
www.hellamarine.com

Exalto
Hardinxveld- Giessendam
Tel: +31 184615800
sales@exalto.com
www.exalto.com

Allpa
Nijmegen
Tel: +31 243777773
info@allpa.nl
www.Allpa.nl

Combi Noord
Grou
Tel +31 566 620909
info@combinoord.nl
www.combinoord.nl

Norway

NDS - Nordic Distribution
& Service
Skytta
Tel: +47 67 06 60 00
Fax: +47 67 06 60 10
marine@nds-group.no
www.nds-group.no

Norway Marine Supply AS
Arendal
Tel: +47 37 00 03 50
salg@nmsproff.no
www.nmsproff.no

Poland

Eljacht
Gdansk
Tel: +48 583207024
info@eljacht.pl
www.eljacht.pl

Portugal

Nautiradar
Lisboa
Tel: +351 213005050
commercial@nautiradar.pt
www.nautiradar.pt

Slovenia

Stal Mar d.o.o
Ljubljana
Tel: +386 14233540
info@stal.si
www.stalmar.si

Spain

Imnasa
Girona
Tel: +34 90210334
info@imnasa.com
www.imnasa.com

Sweden

KGK Knutsson AB
Stockholm
Tel: +46 (0)8-92 30 00
Support@kgk.se
www.marinkatalogen.se

Turkey

MARİNTEK DENİZ VE YAT
MALZEMELERİ TİC. A.Ş.
İstanbul
Tel: +90 216 317 1010
aytug@marintek.com.tr
www.marintek.com



For Distributors in other regions, please contact info@hellamarine.com



facebook.com/hellamarine
youtube.com/user/hellamarine

instagram.com/hellamarineglobal
linkedin.com/company/hella-marine

www.apelobrilliance.com