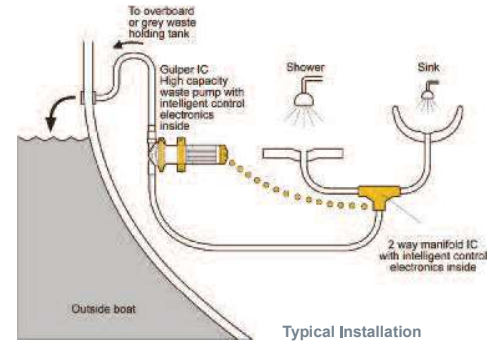


Grey IC



Automatic Grey Waste System - manages waste from multiple drains

Whale Grey IC shower waste systems have intelligent control electronics built in ensuring that the pump operates only when required. Includes Gulper® IC and 1" (25 mm) Two Way Manifold IC with 4 m (12 ft) of cable



Unique Intelligent Control means that Grey IC Kit is all you need to manage waste from multiple drains through one pump

Electrical signals are sent from the Two Way Manifold IC only when waste water needs to be pumped out



*Please note:- drain down level is installation dependent
- figures stated are based on typical installation Whale laboratory tests

One pump automatically handles waste from your shower on board - no manual switches required

- Ideal for installation where you don't have space for a grey waste tank
- Easy installation - pre wired plug and play kit
- Reliability - No moving parts to clog

Gulper IC - Automatic control

- One pump handles waste from multiple drains
- Fast drainage - high capacity up to 19 ltrs (5 US gals) /min
- Long life - Self primes and can run dry
- Soft start - protects the pump
- Easy to install - including uneven surfaces
- Optimal drainage - Built in time delay
- Low current controlled switching - no switch failure from high currents

Two Way Manifold IC

- Fully automatic handles waste from multiple drains as required.
- Senses waste level through wall - not in contact with water
- Removes the need to install a bulky grey waste tank
- Service free - No moving parts to clog or burn



Product Information

Model Specifications

Model	Grey IC	
	WM8284	WM8484
Product Code	WM8284	WM8484
Voltage	12 V d.c.	24 V d.c.
Voltage Range	10 to 13.6 V d.c.	21.6 V d.c. to 27.2 V d.c.
Current Profile	Soft stop/ start	
Recommended Fuse Size (Automotive)	10 amps	5 amps
Minimum Wire Size	1.5mm (16 AWG)	
Weight	1.6 kg (3.5 lbs)	
Maximum Suction Lift	3 m (10 ft)	
Maximum Discharge Head	3 m (10 ft)	
Maximum Discharge Head and Suction Lift Combined	4 m (12 ft)	
Hose Connections	barbed connections 3/4" (19 mm) and 1" (25 mm)	
Materials	Pump head- Glass-filled Nylon, Valves, and Diaphragm - Santoprene®, clamp ring Acetal, Feet - EPDM, Gear wheel- Delrin®, fasteners Stainless Steel	
Materials in contact with fluid	Glass-filled Nylon, Santoprene®, Stainless Steel	
Service Kit (available separately)	AK2050- Replacement Pump Head IC	
Accessories	none required	
Run on time	9 seconds	

Performance Data

	WM8284	WM8484	WM8284	WM8484
Suction Lift	0 m (0 ft)	0 m (0 ft)	1 m (3 ft)	1 m (3 ft)
Discharge Head	1 m (3 ft)	1 m (3 ft)	1 m (3 ft)	1 m (3 ft)
Hose Size	3/4" (19 mm)	1" (25 mm)	3/4" (19 mm)	1" (25 mm)
Flow Rate/ Minute	19 ltrs (5 US gals)	17.5 ltrs (4.6 US gals)	17.4 ltrs (4.5 US gals)	15.5 ltrs (4.1 US gals)
Current Draw (12 V d.c.)	7.5 amps	8 amps	7.5 amps	8 amps
Current Draw (24 V d.c.)	3.25 amps	4 amps	3.25 amps	4 amps

Note: These specifications are retail items only.

For details of our bulk pack range for boat builders and wholesalers - contact Whale Support.

3 Year Warranty

Tips

It is important to ensure that a vented anti-syphon loop is incorporated in the system

Awards and Accreditations

- DAME Innovation Award 2010 - Special Mention.
- Ignition protection ISO8846
- CE marked
- IP45 rated

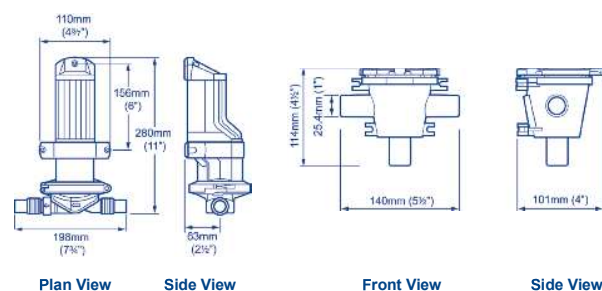


COMPLETE YOUR SYSTEM

See Page 102 - 103 for Grey waste accessories

YOU MAY ALSO LIKE

Gulley IC- Automatic Grey waste pump kits with Gulley IC - automatic intelligent control built in - page 90-91



Model Specifications

Manifold IC	
Cable Length	4 m (12 ft)
Hose Connections	1" (25 mm)
Control Voltage	5 V d.c. via Gulper® IC
Current Draw	Low power 0.01 amps supply
Connectors	IP68 Waterproof Quick Connect 7 way (directly onto Gulper® IC)

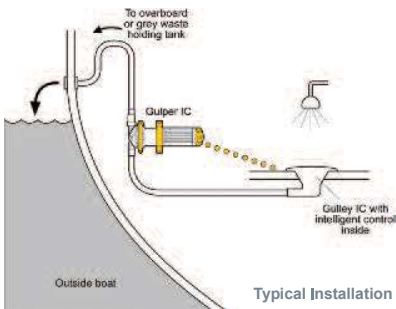
Gulley IC



High capacity automatic shower waste system - One pump manages waste from a single drain

Intelligent control electronics built in ensure that the pump operates only when required. Includes Gulper IC® electric waste pump and Compact Gulley IC with 4 m (12 ft) cable for easy installation.

Electrical signals are sent from Gulley IC only when grey waste water needs to be pumped out. Fully automatic shower gulley drains waste away.



Compact gulley design senses waste level and controls pump



Pre-wired with waterproof electronic connectors - prevents damage from capillary action and electrolysis



Ezi-clamp - Twist and single screw to secure

Fully integrated switch sensor



Head rotates 360° to suit your installation

Barbed Connections - for either 19 mm (3/4") or 25 mm (1")

Secure strap - ensures pump remain in place in marine conditions

Product code: see table

9 seconds run on clears waste from shower tray*

*Please note:- drain down time is installation dependent
- figures stated are based on typical installation
Whale laboratory tests 2011

Automatic Control - Gulley IC Senses The Grey Waste Level And Sends Signals To Gulper IC To Turn Off And On As Required

- One pump automatically handles waste from your shower on board - no manual switches required
- Ideal for installation with limited space for a grey waste tank

Gulper IC - Electric Non clog Electric Grey Waste Pump with intelligent control

- Easy installation - pre wired plug and play kit
- Reliability - No moving parts to clog
- Long life- Self primes and can run dry
- Soft start - protects the pump
- Protected against water ingress - fully potted circuitry
- Low current controlled switching - no switch failure from high currents
- Fast drainage - high capacity up to 19 ltrs (5 US gals) /min
- Optimal drainage - Built in time delay

Gulley IC

- Compact single shower gulley with integrated intelligent control
- Easy clean cover and sleek design
- Protected against water ingress - fully potted circuitry
- Quiet drainage

3 Year Warranty

Tips

It is important to ensure that a vented anti-syphon loop is incorporated in the system

Awards and Accreditations

- IBEX Innovation Award 2010
- DAME Innovation Award 2010 - Special Mention



Awards and Accreditations

- Ignition protection ISO8846.
- CE marked.



COMPLETE YOUR SYSTEM

See Page 102 - 103 for Grey waste accessories

YOU MAY ALSO LIKE

Grey IC - Automatic Grey waste pump kits with Manifold IC
- for automatically managing waste from 2 waste outlets - page 88-90



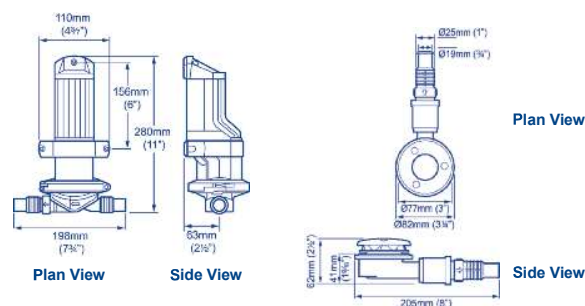
Product Information

Model Specifications

Model	Gulper IC	
Product Code	SG8284	SG8484
Voltage	12 V d.c.	24 V d.c.
Voltage Range	10 to 13.6 V d.c.	21.6 V d.c. to 27.2 V d.c.
Current profile	Soft stop/ start	
Recommended fuse Size (Automotive)	10 amps	5 amps
Minimum Wire Size	1.5 mm (16 AWG)	
Weight	1.6 kg (3.5 lbs)	
Maximum Suction Lift	3 m (10 ft)	
Maximum Discharge Head	3 m (10 ft)	
Maximum Discharge Head and Suction lift Combined	4 m (12 ft)	
Hose Connections	Barbed connections 3/4" (19 mm) and 1" (25 mm)	
Materials	Pump head- Glass-filled Nylon, Valves, and Diaphragm - Santoprene®, clamp ring Acetal, Feet - EPDM, Gear wheel- Delrin®, fasteners Stainless Steel	
Materials in Contact with Fluid	Glass-filled Nylon, Santoprene®, Stainless Steel	
Service Kit (Available separately)	AK2050- Replacement Pump Head IC	

Performance Data

Suction Lift	0 m (0 ft)	0 m (0 ft)	1 m (3 ft)	1 m (3 ft)
Discharge Head	1 m (3 ft)	1 m (3 ft)	1 m (3 ft)	1 m (3 ft)
Hose size	3/4" (19 mm)	1" (25 mm)	3/4" (19 mm)	1" (25 mm)
Flow Rate/ Minute	19 ltrs (5 US gals)	17.5 ltrs (4.6 US gals)	17.4 ltrs (4.5 US gals)	15.5 ltrs (4.1 US gals)
Current Draw (12 V d.c.)	7.5 amps	8 amps	7.5 amps	8 amps
Current Draw (24 V d.c.)	3.25 amps	4 amps	3.25 amps	4 amps



Performance Data

Gulley IC	
Cable Length	4 m (12 ft)
Hose Connections	Small Gulley IC
Control Voltage	5 V d.c. via Gulper® IC
Current Draw	Low power 0,01 amps supply
Connectors	IP68 Waterproof Quick Connect 7 way (directly onto Gulper® IC)

Note: These specifications are retail items only. For details of our bulk pack range for boat builders and wholesalers - contact Whale Support.