

xylem
Let's Solve Water



Par-Max™ Series

MARINE FRESHWATER DELIVERY PUMPS



a xylem brand

Par-Max™ Series MARINE FRESHWATER DELIVERY PUMPS

Jabsco's updated and improved lineup of freshwater supply pumps are designed to provide years of satisfactory service in applications both large and small.

HD (Heavy Duty) models include a wider diameter motor with a powder coated shell, cast aluminum endbells and lower housing to improve pressure capability and life. Available in configurations up to 6 GPM (23 LPM) and 60 PSI (4.1 BAR), these pumps deliver exceptional performance.

Standard models provide good performance in an economical footprint. These configurations are available in 1-3 GPM, perfect for vessels with 1-3 outlets. A plastic housing protects the motors on these units from corrosion.

Features and Benefits:

- Co-molded diaphragm technology for long life and durability
- HD models feature heavy duty, motors and cast aluminum lower housings which allow for long-life, even at high pressures
- Efficient and quiet operation
- Integrated, sealed pressure switch for on-demand operation
- Self-priming allows for installation versatility
- Can run dry without damage
- Quick connect ports for ease of installation, servicing, and maintenance
- Vibration dampening mounting feet
- Equipped with integrated bypass module to reduce cycling and provide smoother flow

	Par-Max 1	Par-Max 2	Par-Max 3	Par-Max HD3	Par-Max HD4	Par-Max HD5	Par-Max HD6
							
Open Flow	1 GPM 3.8 LPM	2 GPM 7.6 LPM	3 GPM 11 LPM	3 GPM 11 LPM	4 GPM 15 LPM	5 GPM 19 LPM	6 GPM 23 LPM
Voltage Options	12 VDC	12 VDC 24 VDC	12 VDC 24 VDC	12 VDC	12 VDC 24 VDC	12 VDC	12 VDC 24 VDC
Pressure Switch Options	35 PSI	35 PSI	40 PSI 25 PSI	60 PSI 40 PSI	60 PSI 40 PSI 25 PSI*	60 PSI 40 PSI	60 PSI 40 PSI
					*EU Only		
Quick Connect Strainer	Not included	 Inline 40 mesh	 Inline 40 mesh	 Inline 40 mesh	 Inline 40 mesh	 90° 40 mesh	 90° 40 mesh
Quick Connect Straight Hosebarb Fittings	 2 x 3/8"***	 2 x 1/2"	 2 x 1/2"	 2 x 1/2"	 2 x 1/2"	 2 x 1/2" 2 x 3/4"	 2 x 3/4"

***Par-Max 1 also includes 2 x 3/8" to 1/2" adapter

Other Available Fittings & Accessories:

See website for part numbers and details

Accumulator Tanks



Used to reduce pump cycling and allow for even smoother water flow. Variety of sizes and configurations available.

Inlet Water Pressure Regulator



Protects system from overpressurized city water.

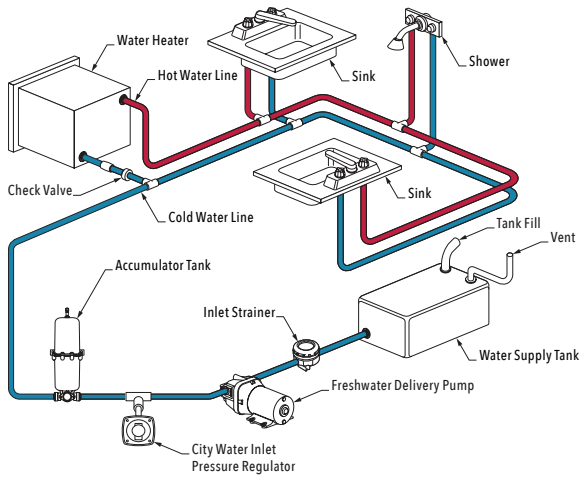
Port Fittings



Options include threaded, 90°, and more.

Par-Max™ Series MARINE FRESHWATER DELIVERY PUMPS

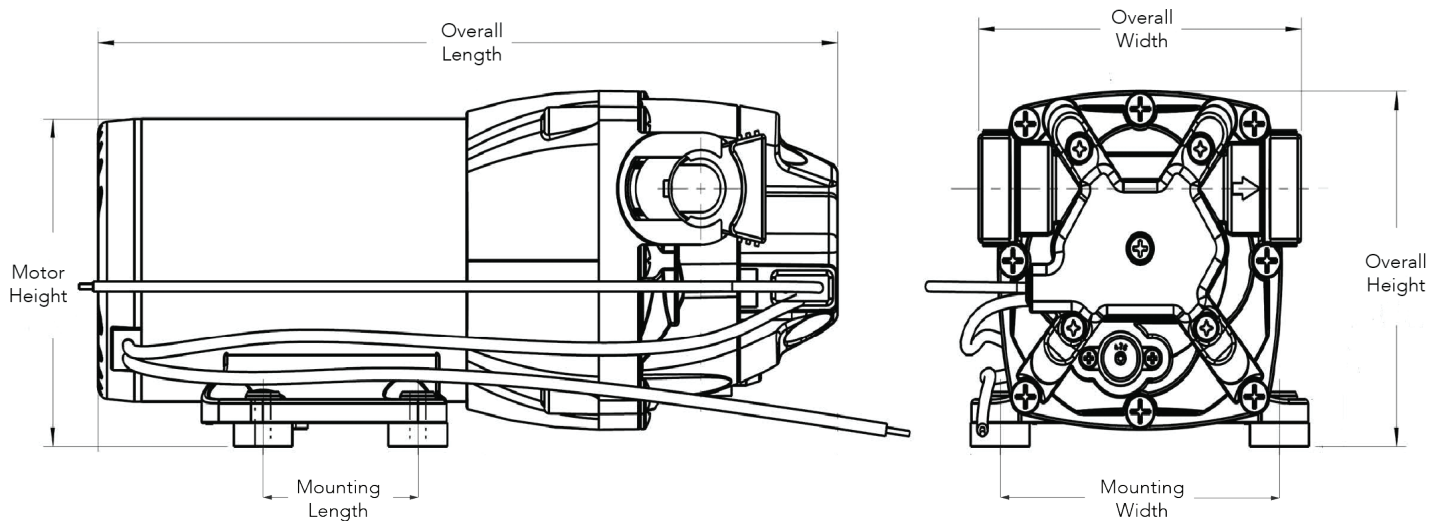
Typical Installation:



Specifications:

Motor design	Brushed, permanent magnet TENV
Pumphead upper housing material	Glass fiber reinforced polypropylene
Diaphragm	Co-molded TPV
Check valves	EPDM
Max inlet pressure	30 PSI (2.1 Bar)
Fluid temperature range	32°F - 140°F (0°C - 60°C)
Dry self-priming capability	7ft min (2.13m/min)
Certifications	CE, ISO8846, RCM
Ingress protection	IPX6
Voltage, flow, pressure, port fittings, etc.	Refer to PN table
Other info	Refer to data-sheet. These can be found on website.

Major Dimensions:



Model	Overall Length in. (mm)	Overall Width in. (mm)	Overall Height in. (mm)	Motor Height in. (mm)	Mounting Length (ctr to ctr*) in. (mm)	Mounting Width (ctr to ctr*) in. (mm)
Par-Max 1	6.5 (165)	4.0 (102)	2.7 (69)	2.4 (61)	2.2 (56)	3.3 (84)
Par-Max 2	9.1 (231)	4.2 (107)	4.2 (107)	3.1 (79)	2.3 (58)	3.2 (81)
Par-Max 3	9.1 (231)	4.2 (107)	4.2 (107)	3.1 (79)	2.3 (58)	3.2 (81)
Par-Max HD3	8.6 (218)	4.1 (104)	3.8 (97)	3.5 (89)	2.0 (51)	3.6 (91)
Par-Max HD4	9.4 (239)	4.1 (104)	3.8 (97)	3.5 (89)	2.0 (51)	3.6 (91)
Par-Max HD5	9.6 (244)	5.0 (127)	4.7 (119)	4.0 (102)	2.0 (51)	3.6 (91)
Par-Max HD6	10.2 (259)	5.1 (129)	4.7 (119)	4.0 (102)	2.0 (51)	3.6 (91)

*ctr = center of mounting hole

Par-Max™ Series MARINE FRESHWATER DELIVERY PUMPS

Configurations & Part Numbers:

Model	Part #	Open Flow GPM (LPM)	Voltage VDC	Shut-off Pressure PSI (BAR)	Max Current AMPS	Recommended Fuse Size	Port Fittings	Strainer Included	
Par-Max 1	42630-3512-3C	1 (3.8)	12	35 (2.4)	3.5	5	2 x 3/8" Straight Hosebarb**	None	
Par-Max 2	31295-3512-3A	2 (7.6)	12	35 (2.4)	6.0	10	2 x 1/2" Straight Hosebarb	Inline	
Par-Max 2	31295-3524-3A	2 (7.6)	24	35 (2.4)	3.0	5		Inline	
Par-Max 3	31395-2512-3A	3 (11)	12	25 (1.7)	5.2	10		Inline	
ParMax 3	31395-2524-3A	3 (11)	24	25 (1.7)	2.6	5		Inline	
Par-Max 3	31395-4012-3A	3 (11)	12	40 (2.8)	6.2	10		Inline	
Par-Max 3	31395-4042-3A	3 (11)	24	40 (2.8)	3.1	5		Inline	
Par-Max HD3	Q301J-115S-3A	3 (11)	12	40 (2.8)	8.0	15		Inline	
Par-Max HD3	Q301J-118S-3A	3 (11)	12	60 (4.1)	8.7	15		Inline	
Par-Max HD4	Q401J-112S-3A	4 (15)	12	25 (1.7)*	8.0	15		Inline	
Par-Max HD4	Q402J-112S-3A	4 (15)	24	25 (1.7)*	4.0	10		Inline	
Par-Max HD4	Q401J-115S-3A	4 (15)	12	40 (2.8)	10.0	15		Inline	
Par-Max HD4	Q402J-115S-3A	4 (15)	24	40 (2.8)	5.0	10		Inline	
Par-Max HD4	Q401J-118S-3A	4 (15)	12	60 (4.1)	12.0	20		Inline	
Par-Max HD4	Q402J-118S-3A	4 (15)	24	60 (4.1)	6.0	10		Inline	
Par-Max HD5	P501J-115S-3A	5 (19)	12	40 (2.8)	12.0	20		2 x 1/2" Straight Hosebarb	90°
Par-Max HD5	P501J-118S-3A	5 (19)	12	60 (4.1)	13.0	20		2 x 3/4" Straight Hosebarb	90°
Par-Max HD6	P601J-215S-3A	6 (23)	12	40 (2.8)	15.0	25	2 x 3/4" Straight Hosebarb	90°	
Par-Max HD6	P602J-215S-3A	6 (23)	24	40 (2.8)	7.0	15		90°	
Par-Max HD6	P601J-218S-3A	6 (23)	12	60 (4.1)	18.0	25		90°	
Par-Max HD6	P602J-218S-3A	6 (23)	24	60 (4.1)	8.0	15		90°	

*EU Only

**Par-Max 1 also includes
2 x 3/8" to 1/2" adapter



Warranty: All products of the company are sold, and all services of the company are offered subject to the company's warranty and terms of sale, copies of which will be furnished upon request. The information provided herein is for guidance only, it does not constitute a guarantee of the performance or specification of any individual product or component.

www.xylem.com/jabsco

USA	USA	UK	CHINA	GERMANY	ITALY	AUSTRALIA
Xylem Inc. 100 Cummings Center Dr. Suite 535-N Beverly MA, 01915 Tel: +1 978 281 0440 Fax: +1 978 283 2619	Xylem Inc. 17942 Cowan Irvine, CA 92614 Tel: +1 949 608 3900 Fax: +1 949 608 3887	Xylem Inc. Bingley Road, Hoddesdon Hertfordshire EN11 0BU Tel: +44 (0) 1992 450145 Fax: +44 (0) 1992 467132	Xylem Inc. 30/F Tower A 100 Zunyi Road Shanghai, China 200051 Tel: +86 21 2208 2888 Fax: +86 21 2208 2999	Xylem Inc. Oststrasse 28 22844 Norderstedt Tel: +49 40 53 53 73 0 Fax: +49 40 53 53 73 11	Xylem Inc. Via Tommaseo, 6 20059 Vimercate, Milano Tel: +39 039 685 2323 Fax: +39 039 666 307	Xylem Inc. 3/1 Federation Way Moorabbin Airport, VIC 3194 Tel: +61 3 8551 6800 Fax: +61 2 9832 6493