



SHURFLO LO FLO (SINGLE FIXTURE)

RV/MARINE FRESH WATER PUMP – PRODUCT TECHNICAL DATA SHEET

OEM: 105-003
AFTERMARKET: 105-013



APPLICATION:

Single-fixture RV/Marine fresh water pump installation. Other uses may include 12V DC pressurize water systems in cabins. This pump may be used for general fresh water transfer

PUMP DESIGN:

Type: 3 Chamber Diaphragm pump
Ports: 3/8" Barb
Liquid: 130°F [54°C] Max
Dry-Prime: 2.5 feet [76 cm]
Inlet PSI: 0 PSI [0 Bar]
Run Dry: 2 Minutes

ELECTRICAL:

Motor: 12V DC Permanent Magnet, Intermittent Duty
Protection: Thermal Overload, Automatic Restart
Leads: 18 AWG, 6" [15 cm] Red +, 6" [15 cm] Black
Fuse: 5 Amp Recommended
Control: Shut-Off 30 PSI [2.1 Bar]
Re-start 5 PSI [0.3 Bar]

No Repair Kits Available

MATERIALS OF CONSTRUCTION:

Housings: Polypropylene
Valves/Seals: EPDM
Diaphragm: Santoprene
Hardware: Stainless Steel and Zinc Plated Steel

AGENCY APPROVALS:

Ignition Protection 8846, CE, IMCI Certified

SHIPPING INFORMATION:

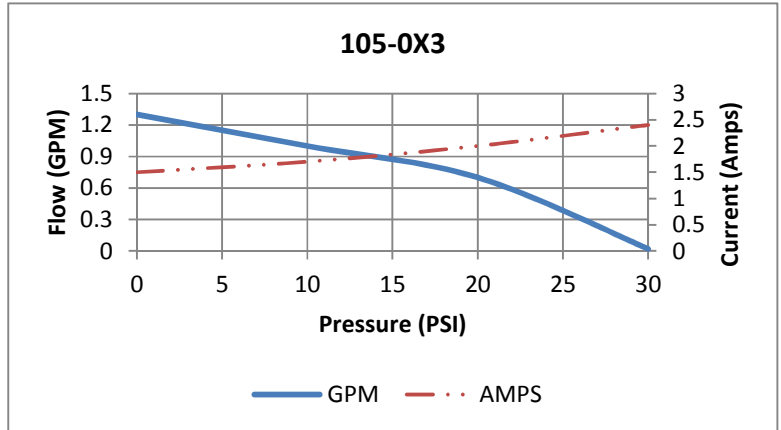
Approx. Net Weight: 1.25 Pounds [0.57 Kg] ea.
Carton Qty.: 24
Approx. Carton Weight: 35 Lbs. [15.9 Kg]
Approx. Carton Size: 24" L X 18" W X 6" H [61cm x 46cm x 15cm]

RELATED DOCUMENTS:

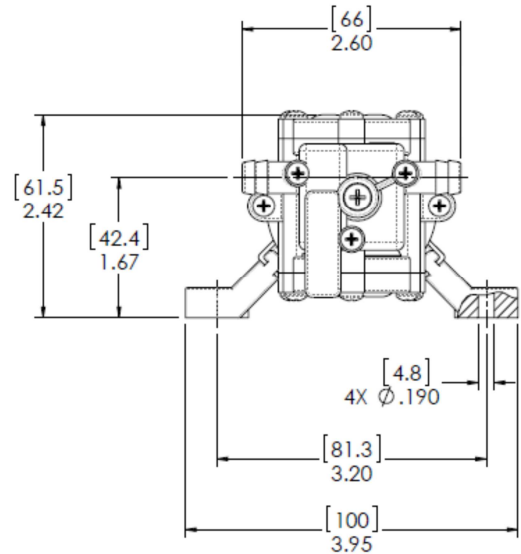
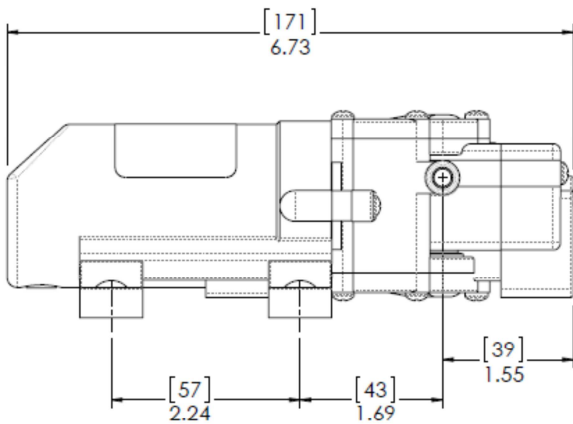
Catalog: MS-030-138 / MS-030-140
 Application Spec Guide: MS-020-005
 Installation Manual: 911-585
 Aftermarket Warranty: 911-1045

TYPICAL PERFORMANCE AT 12V

PRESSURE		FLOW		CURRENT
BAR	PSI	GPM	LPM	AMPS
0	0	1.3	4.9	1.5
0.7	10	1.0	3.7	1.7
1.4	20	0.7	2.6	2.0
2.1	30	0.2	0.7	2.4



DIMENSIONS



WATER PURIFICATION
 3545 Harbor Gateway South, Suite 103, Costa Mesa, CA 92626, (800) 854-3218 www.SHURFLO.com

All Pentair trademarks and logos are owned by Pentair, Inc. All other brand or product names are trademarks or registered marks of their respective owners. Because we are continuously improving our products and services, Pentair reserves the right to change specifications without prior notice. Pentair is an equal opportunity employer.