

KVL-3 2p M10-M10



Specifications

ETI Code	001690897
Description	KVL-3 2p M10-M10
Class name	Fuse switch disconnecter
Rated current (A)	630
Type	KVL
Size	NH3
No. Of poles	2
Product group	Horizontal fuse-switch disconnecter
Rated AC voltage (V)	690
Utilization category	AC-23B / DC-22B
Connection	M10
Rated DC voltage (V)	440
Mounting	Screw-on

Online product page 

Other documentation

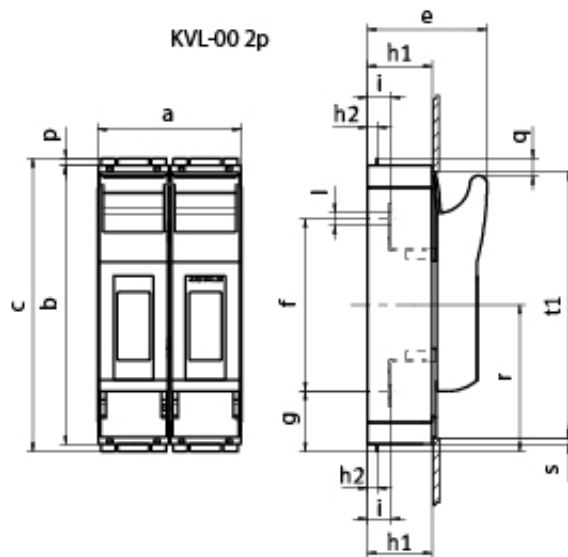


[Technical data catalogue](#)
[Certificate](#)
[3D Model](#)
[Instruction manual](#)
[CE declaration](#)
[Eplan file](#)

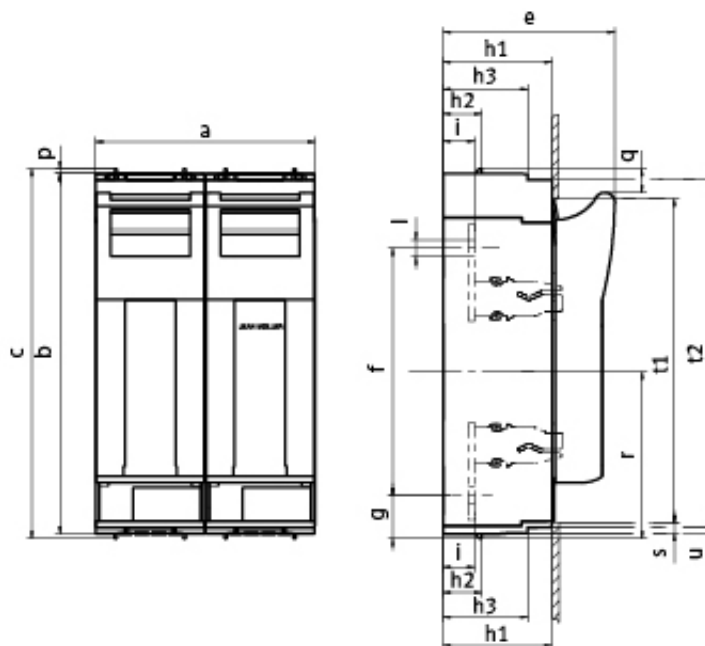
ETIM international classification

Classification	EC001040
Class name	Fuse switch disconnecter
Version as main switch	1
Version as safety switch	1
Rated permanent current Iu	630A
Suitable for fuses	NH3
Number of poles	2
With error protection	
Type of electrical connection of main circuit	Screw connection
Suitable for floor mounting	1
Type of control element	Cover grip

Dimension drawing



	a	b	c	e	f	g	h1	h2	h3	i	l	p	q	r	s	t1
KVL-00 1p M8-M8	50	195	204	84	120	42	45	7	-	16,5	∅9	4,5	12	102	5	187
KVL-00 2p M8-M8	100	195	204	84	120	42	45	7	-	16,5	∅9	4,5	12	102	5	187



	a	b	c	e	f	g	h1	h2	h3	i	l	p	q	r	s	t1	t2	u
KVL-1 2p M10-M10	138	298	306	117	185	46	70	32	-	25	∅10,5	4	19	138	5	272	-	-
KVL-3 2p M10-M10	182	298	306	143	205	36	90	32	70	26	∅14	4	19	138	10	268	288	5