



SHURFLO RV MACERATOR PUMP

RV MACERATION PUMP – PRODUCT TECHNICAL DATA SHEET

OEM: 3200-200
 AFTERMARKET: 3200-201 / 3200-001 (Refer to 3200-001 data sheet for technical info)



APPLICATION:
 RV Maceration – this pump is for intermittent duty only.
 This pump is not listed for potable water use.

PUMP DESIGN:

Type: Flexible Impeller
 Inlet Port: 1-1/2" Barb / 1-1/2" NPT
 Outlet Port: 1" Barb
 Liquid: 130°F [54°C] Max
 Dry-Prime: 4 feet [2.7M]
 Run Dry: 2 Minutes – not recommended
 Inlet Pressure: 30 PSI Max. [2.06 Bar]

ELECTRICAL:

Motor: 24V DC Permanent Magnet, Intermittent Duty
 Protection: Thermal Overload, Automatic Restart
 Leads: 14 AWG, 17.5" [44 cm] Red +, 18.5" [47 cm] Black
 Fuse: 15 Amp Recommended No control
 Control:

MATERIALS OF CONSTRUCTION:

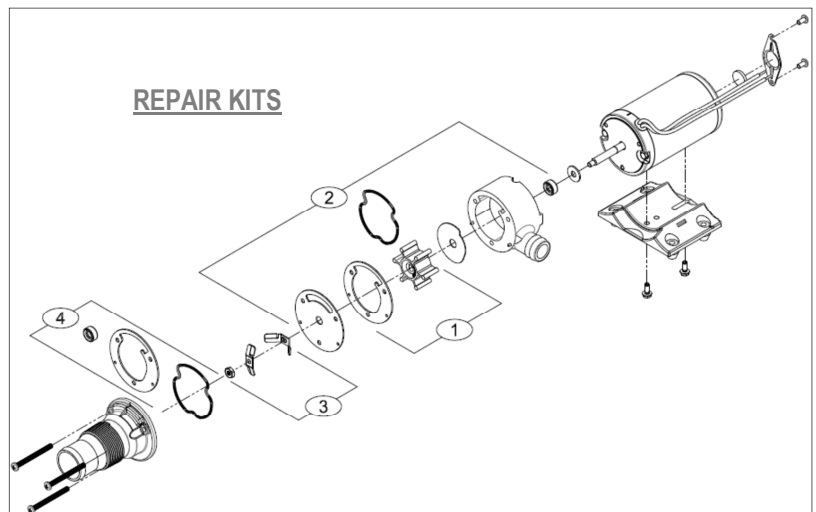
Housing: Phenolic - Nylon
 Impeller: Brandonite
 Hardware: Stainless Steel

AGENCY APPROVALS:

CSA, ISO 8846, CE, Meets 33 CFR 183.410

SHIPPING INFORMATION:

Approx. Net Weight: 6 lbs. [2.7 Kg] ea.
 Carton Qty.: 6
 Approx. Carton Weight: 36 lbs. [16.3 Kg]
 Approx. Carton Size: 24"L X 18"W X 6"H [61cm x 46cm x 15cm]



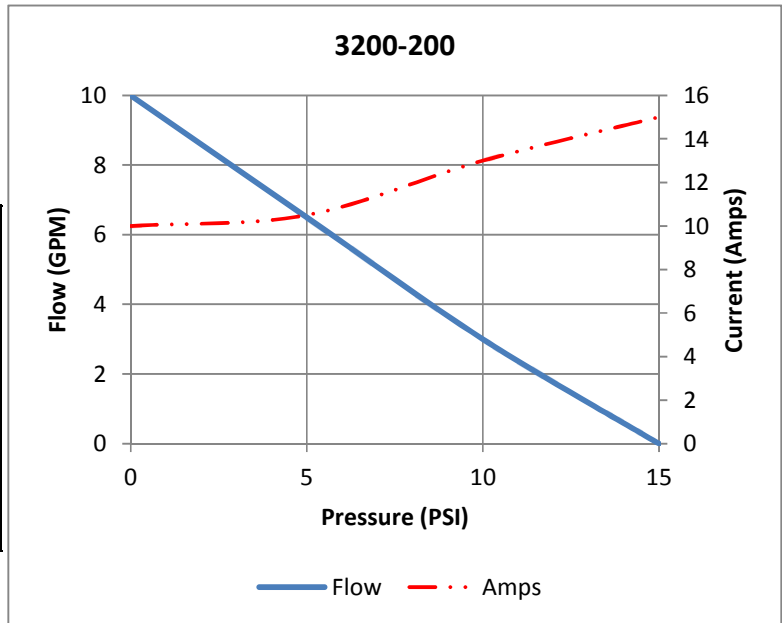
Number	Description	Part Number
1	Impeller Kit	94-571-00
2	Impeller Housing kit	94-570-00
3	Blade Kit	94-570-02
4	Lip Seal Kit	94-570-04

RELATED DOCUMENTS:

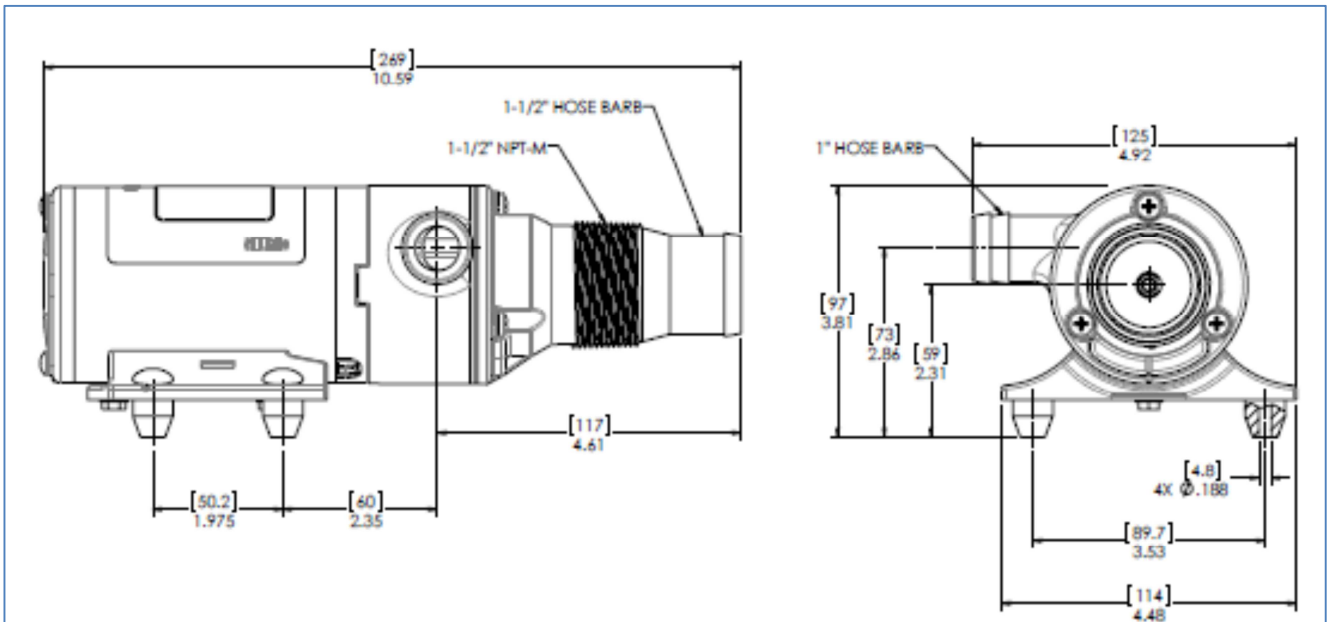
Catalog: MS-030-140
 App Guide Sheet : MS-020-005
 Installation Manual: 911-566
 Aftermarket Warranty: 911-1045

TYPICAL PERFORMANCE

PRESSURE		FLOW		CURRENT
BAR	PSI	GPM	LPM	AMPS
0	0	11	41.6	5.9
0.27	4	8	30.3	7.1
0.55	8	7	26.4	7.4
0.82	12	5	18.9	8.0
1.10	18	0	0.0	9.1



DIMENSIONS [mm]



WATER PURIFICATION

3545 Harbor Gateway South, Suite 103, Costa Mesa, CA 92626, (800) 854-3218 www.SHURFLO.com

All Pentair trademarks and logos are owned by Pentair, Inc. All other brand or product names are trademarks or registered marks of their respective owners. Because we are continuously improving our products and services, Pentair reserves the right to change specifications without prior notice. Pentair is an equal opportunity employer.

3200-200 [201] Rev. 02/14 2006 - 2014 ©Pentair, Inc. All Rights Reserved.